

HC-B 16-SFQD-68/O1M25 - Housing



1646366

<https://www.phoenixcontact.com/us/products/1646366>

Please be informed that the data shown in this PDF document is generated from our online catalog. Please find the complete data in the user documentation. Our general terms of use for downloads are valid.



HEAVYCON B16 box mounting base, for double locking latch, height: 67 mm, with 1 x M25 gland, with cover

Commercial data

Item number	1646366
Packing unit	10 pc
Minimum order quantity	1 pc
Product key	AF7AAC
GTIN	4017918954871
Weight per piece (including packing)	364.7 g
Weight per piece (excluding packing)	364.7 g
Country of origin	DE

HC-B 16-SFQD-68/O1M25 - Housing



1646366

<https://www.phoenixcontact.com/us/products/1646366>

Technical data

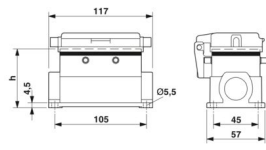
Notes

General	For contact inserts HC-B16, BB32, BBB40, D40, DD72, HS6, M, K
---------	---------------------------------------------------------------

Product properties

Product type	Housing with locking latch
Housing type	Surface mounting housing
Application	Standard
Type	B16
No. of cable outlets	1
Type of the screw connection	1x M25
Protective cover	yes
Shielded	no
Cable outlet	Left (view of the opened protective cover)
Pg screw connection	none

Dimensions

Dimensional drawing	
Width	57 mm
Height	67 mm
Length	117 mm

Material specifications

Seal material	NBR
Housing material	Die-cast aluminum
Housing surface material	Powder-coated, gray
Material, protective cover	PA

Mechanical properties

Mechanical data

Type of the screw connection	1x M25
Locking type	Pin

Mounting

Assembly note	For half and full screw connections
---------------	-------------------------------------

Environmental and real-life conditions

HC-B 16-SFQD-68/O1M25 - Housing



1646366

<https://www.phoenixcontact.com/us/products/1646366>

Ambient conditions

Degree of protection	IP65 (When plugged in)
Ambient temperature (operation)	-40 °C ... 125 °C

HC-B 16-SFQD-68/O1M25 - Housing

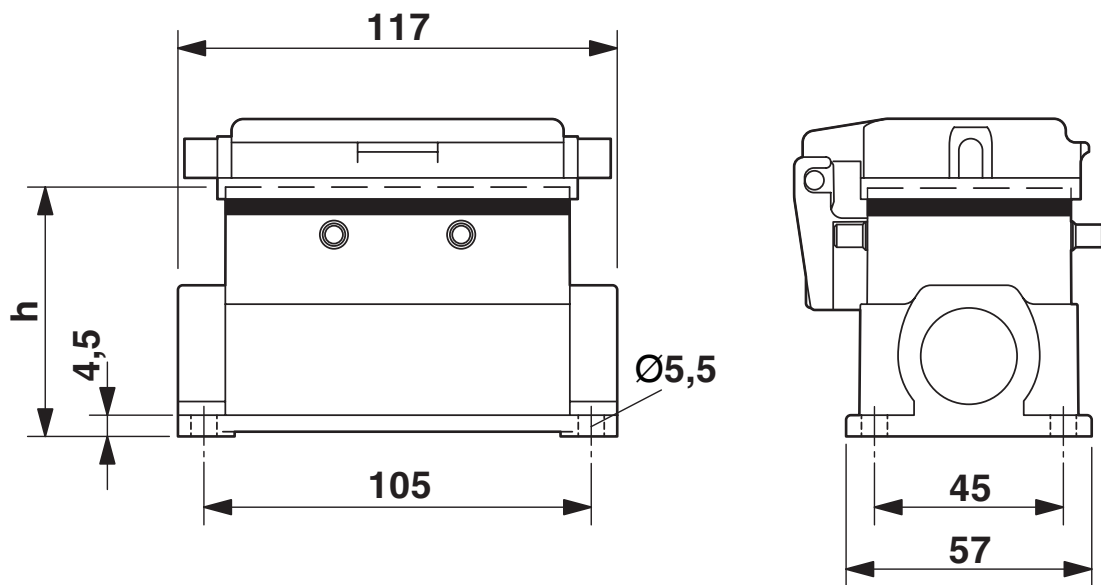


1646366

<https://www.phoenixcontact.com/us/products/1646366>

Drawings

Dimensional drawing



Dimensional drawing

HC-B 16-SFQD-68/O1M25 - Housing



1646366

<https://www.phoenixcontact.com/us/products/1646366>

Classifications

ECLASS

ECLASS-13.0	27440202
ECLASS-15.0	27440202

UNSPSC

UNSPSC 21.0	31261501
-------------	----------

HC-B 16-SFQD-68/O1M25 - Housing



1646366

<https://www.phoenixcontact.com/us/products/1646366>

Environmental product compliance

China RoHS

Environment friendly use period (EFUP)	EFUP-E
	No hazardous substances above the limits

EU REACH SVHC

REACH candidate substance (CAS No.)	No substance above 0.1 wt%
-------------------------------------	----------------------------

Phoenix Contact 2026 © - all rights reserved
<https://www.phoenixcontact.com>

Phoenix Contact USA
586 Fulling Mill Road
Middletown, PA 17057, United States
(+717) 944-1300
info@phoenixcon.com