

# HC-B 16-SML-84/O1M40 - Housing



1646311

<https://www.phoenixcontact.com/us/products/1646311>

Please be informed that the data shown in this PDF document is generated from our online catalog. Please find the complete data in the user documentation. Our general terms of use for downloads are valid.



HEAVYCON box mounting base B16, with single locking latch, height 84 mm, with supports 1xM40

## Commercial data

|                                      |               |
|--------------------------------------|---------------|
| Item number                          | 1646311       |
| Packing unit                         | 10 pc         |
| Minimum order quantity               | 1 pc          |
| Product key                          | AF7AAC        |
| GTIN                                 | 4017918954918 |
| Weight per piece (including packing) | 404.4 g       |
| Weight per piece (excluding packing) | 404.4 g       |
| Country of origin                    | DE            |

# HC-B 16-SML-84/O1M40 - Housing

1646311

<https://www.phoenixcontact.com/us/products/1646311>

## Technical data

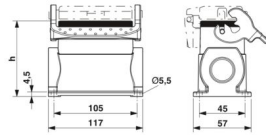
### Notes

|         |   |
|---------|---|
| General | For contact inserts HC-B16, BB32, BBB40, D40, DD72, HS6, M, K |
|---------|---|

### Product properties

|                              |  |
|------------------------------|--|
| Product type                 | Housing with locking latch                     |
| Housing type                 | Surface mounting housing                       |
| Application                  | Standard                                       |
| Type                         | B16  |
| No. of cable outlets         | 1  |
| Type of the screw connection | 1x M40   |
| Cable outlet                 | left (view of the opened single locking latch) |
| Pg screw connection          | none   |

### Dimensions

|                     |  |
|---------------------|--|
| Dimensional drawing |  |
| Width               | 57 mm  |
| Height              | 84 mm  |
| Length              | 117 mm   |

### Material specifications

|                          |                             |
|--------------------------|-----------------------------|
| Seal material            | NBR                         |
| Housing material         | Die-cast aluminum           |
| Housing surface material | Powder-coated, gray         |
| Locking latch material   | Stainless steel, handle: PA |

### Mechanical properties

#### Mechanical data

|                              |        |
|------------------------------|--------|
| Type of the screw connection | 1x M40 |
| Locking type                 | Latch  |

### Mounting

|               |                                     |
|---------------|-------------------------------------|
| Assembly note | For half and full screw connections |
|---------------|-------------------------------------|

### Environmental and real-life conditions

#### Ambient conditions

|                      |      |
|----------------------|------|
| Degree of protection | IP65 |
|----------------------|------|

# HC-B 16-SML-84/O1M40 - Housing



1646311

<https://www.phoenixcontact.com/us/products/1646311>

Ambient temperature (operation)

-40 °C ... 125 °C

# HC-B 16-SML-84/O1M40 - Housing

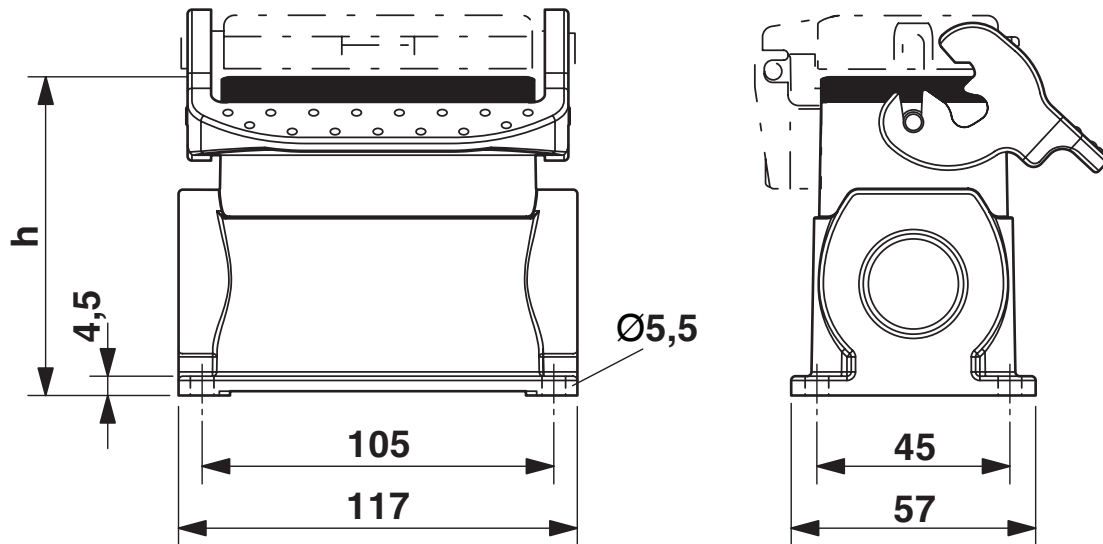


1646311

<https://www.phoenixcontact.com/us/products/1646311>

## Drawings

Dimensional drawing



Dimensional drawing; h = 84 mm

# HC-B 16-SML-84/O1M40 - Housing



1646311

<https://www.phoenixcontact.com/us/products/1646311>

## Classifications

### ECLASS

|             |          |
|-------------|----------|
| ECLASS-13.0 | 27440202 |
| ECLASS-15.0 | 27440202 |

### UNSPSC

|             |          |
|-------------|----------|
| UNSPSC 21.0 | 31261501 |
|-------------|----------|

# HC-B 16-SML-84/O1M40 - Housing



1646311

<https://www.phoenixcontact.com/us/products/1646311>

## Environmental product compliance

### China RoHS

|  |  |
|--|--|
| Environment friendly use period (EFUP) | EFUP-E                                   |
|  | No hazardous substances above the limits |

### EU REACH SVHC

|                                     |                            |
|-------------------------------------|----------------------------|
| REACH candidate substance (CAS No.) | No substance above 0.1 wt% |
|-------------------------------------|----------------------------|

Phoenix Contact 2026 © - all rights reserved  
<https://www.phoenixcontact.com>

Phoenix Contact USA  
586 Fulling Mill Road  
Middletown, PA 17057, United States  
(+717) 944-1300  
[info@phoenixcon.com](mailto:info@phoenixcon.com)