

HC-M-KV-T-M25 - Cable gland



1646191

<https://www.phoenixcontact.com/us/products/1646191>

Please be informed that the data shown in this PDF document is generated from our online catalog. Please find the complete data in the user documentation. Our general terms of use for downloads are valid.

Metal screw connection with cable bend protection and strain relief, thread length: 7 mm, cable sealing area: 10 - 19 mm, clamping area: 14 - 21 mm, SW 30, screw connection: M25



Commercial data

Item number	1646191
Packing unit	10 pc
Minimum order quantity	1 pc
Sales key	BF68
Product key	AF7DFX
GTIN	4017918941338
Weight per piece (including packing)	78.2 g
Weight per piece (excluding packing)	70 g
Customs tariff number	74198090
Country of origin	DE

HC-M-KV-T-M25 - Cable gland

1646191

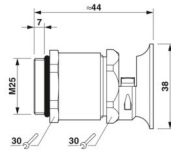
<https://www.phoenixcontact.com/us/products/1646191>

Technical data

Product properties

Product type	Cable screw gland
Application	Standard
No. of conductors	1
Manufacturer	wafi
Shielded	no

Dimensions

Dimensional drawing	
Length	44 mm
Length of the connecting thread	7 mm
Length without connecting thread	37 mm
Diameter	25 mm
Connecting thread diameter	25 mm
Wrench size, union nut	30 mm
Wrench size, support	30 mm
Clamping range of the strain relief clip	14.00 mm ... 21.00 mm
Hexagon angular dimension	38 mm
Thread type connection side	M25 x 1.5
Thread pitch	1.5 mm

Connection data

Tightening torque	12 Nm (Support sleeve)
	8 Nm (Union nut)

Material specifications

Seal material O-ring	NBR
Seal material Cable seal	Perbunan
Material for screw connection	Brass, nickel-plated

Cable/line

External cable diameter Cable 1	10 mm ... 19 mm
Halogen-free	no

Environmental and real-life conditions

Ambient conditions

Degree of protection	IP65
----------------------	------

HC-M-KV-T-M25 - Cable gland

1646191

<https://www.phoenixcontact.com/us/products/1646191>



Ambient temperature (operation)

-20 °C ... 80 °C (static)

HC-M-KV-T-M25 - Cable gland

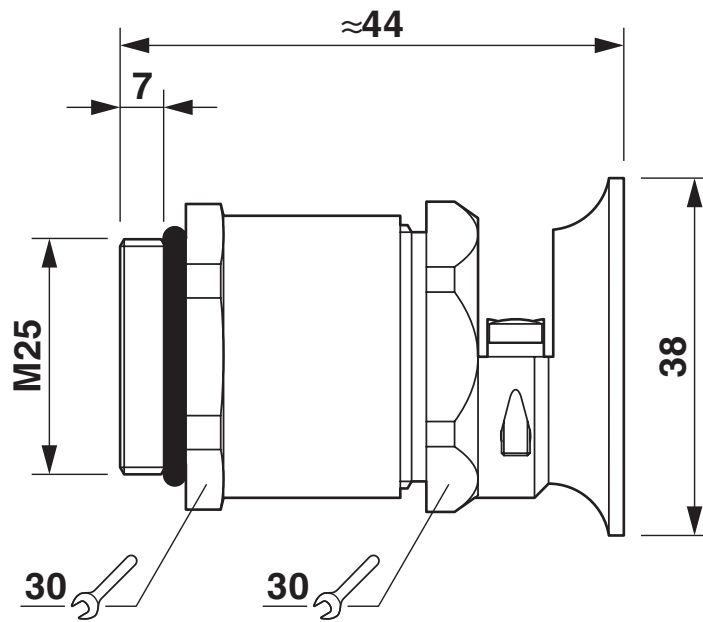
1646191

<https://www.phoenixcontact.com/us/products/1646191>



Drawings

Dimensional drawing



Dimensional drawing

HC-M-KV-T-M25 - Cable gland



1646191

<https://www.phoenixcontact.com/us/products/1646191>

Classifications

ECLASS

ECLASS-13.0	27140801
ECLASS-15.0	27140801

ETIM

ETIM 10.0	EC000441
-----------	----------

UNSPSC

UNSPSC 21.0	39121300
-------------	----------

HC-M-KV-T-M25 - Cable gland



1646191

<https://www.phoenixcontact.com/us/products/1646191>

Environmental product compliance

EU RoHS

Fulfills EU RoHS substance requirements	Yes
Exemption	6(c)

China RoHS

Environment friendly use period (EFUP)	EFUP-50
	An article-related China RoHS declaration table can be found in the download area for the respective article under "Manufacturer declaration". For all articles with EFUP-E, no China RoHS declaration table issued and required.

EU REACH SVHC

REACH candidate substance (CAS No.)	Lead(CAS: 7439-92-1)
SCIP	36212d72-5778-42d7-b7aa-fa2813e3020a

EF3.1 Climate Change

CO2e kg	1.123 kg CO2e
---------	---------------

Phoenix Contact 2026 © - all rights reserved
<https://www.phoenixcontact.com>

Phoenix Contact USA
586 Fulling Mill Road
Middletown, PA 17057, United States
(+717) 944-1300
info@phoenixcon.com