

# HC-M-KV-T-M20 - Cable gland



1646188

<https://www.phoenixcontact.com/us/products/1646188>

Please be informed that the data shown in this PDF document is generated from our online catalog. Please find the complete data in the user documentation. Our general terms of use for downloads are valid.

Metal screw connection with cable bend protection and strain relief, thread length: 6 mm, cable sealing area: 7.5 - 15 mm, clamping area: 10 - 16 mm, SW 24, screw connection: M20



## Commercial data

Item number	1646188
Packing unit	10 pc
Minimum order quantity	10 pc
Sales key	BF68
Product key	AF7DFX
GTIN	4017918941321
Weight per piece (including packing)	56.5 g
Weight per piece (excluding packing)	51.55 g
Customs tariff number	74198090
Country of origin	DE

# HC-M-KV-T-M20 - Cable gland

1646188

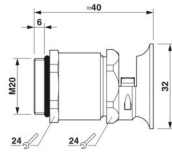
<https://www.phoenixcontact.com/us/products/1646188>

## Technical data

### Product properties

Product type	Cable screw gland
Application	Standard
No. of conductors	1
Manufacturer	wafi
Shielded	no

### Dimensions

Dimensional drawing	
Length	40 mm
Length of the connecting thread	6 mm
Length without connecting thread	34 mm
Diameter	20 mm
Connecting thread diameter	20 mm
Wrench size, union nut	24 mm
Wrench size, support	24 mm
Clamping range of the strain relief clip	10.00 mm ... 16.00 mm
Hexagon angular dimension	32 mm
Thread type connection side	M20 x 1.5
Thread pitch	1.5 mm

### Connection data

Tightening torque	12 Nm (Support sleeve)
	8 Nm (Union nut)

### Material specifications

Seal material O-ring	NBR
Seal material Cable seal	Perbunan
Material for screw connection	Brass, nickel-plated

### Cable/line

External cable diameter Cable 1	7.5 mm ... 15 mm
Halogen-free	no

### Environmental and real-life conditions

#### Ambient conditions

Degree of protection	IP65
----------------------	------

# HC-M-KV-T-M20 - Cable gland

1646188

<https://www.phoenixcontact.com/us/products/1646188>



Ambient temperature (operation)

-20 °C ... 80 °C (static)

# HC-M-KV-T-M20 - Cable gland

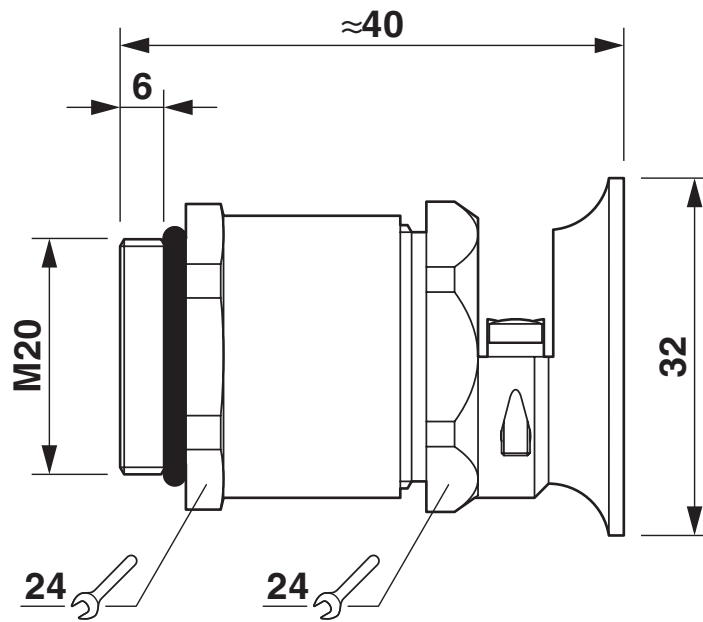
1646188

<https://www.phoenixcontact.com/us/products/1646188>



## Drawings

Dimensional drawing



Dimensional drawing

# HC-M-KV-T-M20 - Cable gland



1646188

<https://www.phoenixcontact.com/us/products/1646188>

## Classifications

### ECLASS

ECLASS-13.0	27140801
ECLASS-15.0	27140801

### ETIM

ETIM 10.0	EC000441
-----------	----------

### UNSPSC

UNSPSC 21.0	39121300
-------------	----------

# HC-M-KV-T-M20 - Cable gland



1646188

<https://www.phoenixcontact.com/us/products/1646188>

## Environmental product compliance

### EU RoHS

Fulfills EU RoHS substance requirements	Yes
Exemption	6(c)

### China RoHS

Environment friendly use period (EFUP)	EFUP-50
	An article-related China RoHS declaration table can be found in the download area for the respective article under "Manufacturer declaration". For all articles with EFUP-E, no China RoHS declaration table issued and required.

### EU REACH SVHC

REACH candidate substance (CAS No.)	Lead(CAS: 7439-92-1)
SCIP	131c6a07-3cad-4e36-b4b7-aa75286a268f

### EF3.1 Climate Change

CO2e kg	0.86 kg CO2e
---------	--------------

Phoenix Contact 2026 © - all rights reserved  
<https://www.phoenixcontact.com>

Phoenix Contact USA  
586 Fulling Mill Road  
Middletown, PA 17057, United States  
(+717) 944-1300  
[info@phoenixcon.com](mailto:info@phoenixcon.com)