

# HC-M-KV-Z-M32 - Cable gland

1646162

<https://www.phoenixcontact.com/us/products/1646162>

Please be informed that the data shown in this PDF document is generated from our online catalog. Please find the complete data in the user documentation. Our general terms of use for downloads are valid.

Metal screw connection with strain relief clamp, thread length: 8 mm, cable sealing area: 18 - 27 mm, clamping area: 19 - 30 mm, SW 40, screw connection: M32



## Commercial data

|                                      |               |
|--------------------------------------|---------------|
| Item number                          | 1646162       |
| Packing unit                         | 10 pc         |
| Minimum order quantity               | 10 pc         |
| Sales key                            | BF68          |
| Product key                          | AF7DFX        |
| GTIN                                 | 4017918941307 |
| Weight per piece (including packing) | 154.6 g       |
| Weight per piece (excluding packing) | 150.35 g      |
| Customs tariff number                | 74198090      |
| Country of origin                    | DE            |

# HC-M-KV-Z-M32 - Cable gland

1646162

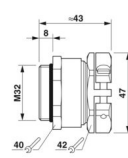
<https://www.phoenixcontact.com/us/products/1646162>

## Technical data

### Product properties

|                   |                   |
|-------------------|-------------------|
| Product type      | Cable screw gland |
| Application       | Standard          |
| No. of conductors | 1                 |
| Manufacturer      | wafi              |
| Shielded          | no                |

### Dimensions

|  |  |
|--|--|
| Dimensional drawing                      |  |
| Length                                   | 43 mm  |
| Length of the connecting thread          | 8 mm   |
| Length without connecting thread         | 35 mm  |
| Diameter                                 | 32 mm  |
| Connecting thread diameter               | 32 mm  |
| Wrench size, union nut                   | 42 mm  |
| Wrench size, support                     | 40 mm  |
| Clamping range of the strain relief clip | 19.00 mm ... 27.00 mm  |
| Hexagon angular dimension                | 47 mm  |
| Thread type connection side              | M32 x 1.5  |
| Thread pitch                             | 1.5 mm   |

### Connection data

|                   |                        |
|-------------------|------------------------|
| Tightening torque | 18 Nm (Support sleeve) |
|                   | 12 Nm (Union nut)      |

### Material specifications

|                               |                      |
|-------------------------------|----------------------|
| Seal material O-ring          | NBR                  |
| Seal material Cable seal      | Perbunan             |
| Material for screw connection | Brass, nickel-plated |

### Cable/line

|                                 |                 |
|---------------------------------|-----------------|
| External cable diameter Cable 1 | 18 mm ... 27 mm |
| Halogen-free                    | no              |

### Environmental and real-life conditions

#### Ambient conditions

|                      |      |
|----------------------|------|
| Degree of protection | IP65 |
|----------------------|------|

# HC-M-KV-Z-M32 - Cable gland

1646162

<https://www.phoenixcontact.com/us/products/1646162>



Ambient temperature (operation)

-20 °C ... 80 °C (static)

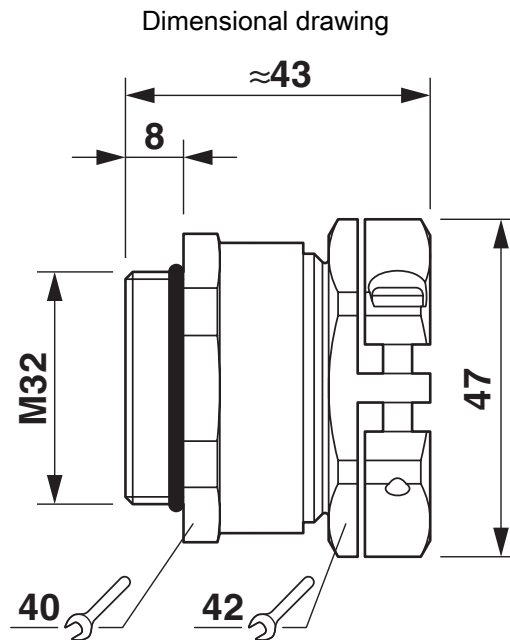
# HC-M-KV-Z-M32 - Cable gland

1646162

<https://www.phoenixcontact.com/us/products/1646162>



## Drawings



Dimensional drawing

# HC-M-KV-Z-M32 - Cable gland



1646162

<https://www.phoenixcontact.com/us/products/1646162>

## Classifications

### ECLASS

|             |          |
|-------------|----------|
| ECLASS-13.0 | 27140801 |
| ECLASS-15.0 | 27140801 |

### ETIM

|           |          |
|-----------|----------|
| ETIM 10.0 | EC000441 |
|-----------|----------|

### UNSPSC

|             |          |
|-------------|----------|
| UNSPSC 21.0 | 39121300 |
|-------------|----------|

# HC-M-KV-Z-M32 - Cable gland



1646162

<https://www.phoenixcontact.com/us/products/1646162>

## Environmental product compliance

### EU RoHS

|   |      |
|---|------|
| Fulfills EU RoHS substance requirements | Yes  |
| Exemption                               | 6(c) |

### China RoHS

|  |   |
|--|---|
| Environment friendly use period (EFUP) | EFUP-50   |
|  | An article-related China RoHS declaration table can be found in the download area for the respective article under "Manufacturer declaration". For all articles with EFUP-E, no China RoHS declaration table issued and required. |

### EU REACH SVHC

|                                     |                                      |
|-------------------------------------|--------------------------------------|
| REACH candidate substance (CAS No.) | Lead(CAS: 7439-92-1)                 |
| SCIP                                | 0c3fd652-25ee-4cb6-b2a7-bf3e529eb0cb |

### EF3.1 Climate Change

|         |               |
|---------|---------------|
| CO2e kg | 1.557 kg CO2e |
|---------|---------------|

Phoenix Contact 2026 © - all rights reserved  
<https://www.phoenixcontact.com>

Phoenix Contact USA  
586 Fulling Mill Road  
Middletown, PA 17057, United States  
(+717) 944-1300  
[info@phoenixcon.com](mailto:info@phoenixcon.com)