

HC-M-KV-Z-M20 - Cable gland

1646146

<https://www.phoenixcontact.com/us/products/1646146>

Please be informed that the data shown in this PDF document is generated from our online catalog. Please find the complete data in the user documentation. Our general terms of use for downloads are valid.

Metal screw connection with strain relief clamp, thread length: 6 mm, cable sealing area: 7.5 - 15 mm, clamping area: 11 - 17 mm, SW 24, screw connection: M20



Commercial data

Item number	1646146
Packing unit	1 pc
Note	Made to order (non-returnable)
Sales key	BF68
Product key	AF7DFX
GTIN	4017918941284
Weight per piece (including packing)	57.13 g
Weight per piece (excluding packing)	57.13 g
Customs tariff number	74153300
Country of origin	DE

HC-M-KV-Z-M20 - Cable gland

1646146

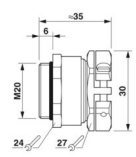
<https://www.phoenixcontact.com/us/products/1646146>

Technical data

Product properties

Product type	Cable screw gland
No. of conductors	1
Shielded	no

Dimensions

Dimensional drawing	
Length	35 mm
Length of the connecting thread	6 mm
Length without connecting thread	29 mm
Diameter	20 mm
Connecting thread diameter	20 mm
Wrench size, union nut	27 mm
Wrench size, support	24 mm
Clamping range of the strain relief clip	11.00 mm ... 15.00 mm
Hexagon angular dimension	30 mm
Thread type connection side	M20 x 1.5
Thread pitch	1.5 mm

Connection data

Tightening torque	12 Nm (Support sleeve)
	8 Nm (Union nut)

Material specifications

Seal material O-ring	NBR
Seal material Cable seal	Perbunan
Material for screw connection	Brass, nickel-plated

Cable/line

External cable diameter Cable 1	7.5 mm ... 15 mm
Halogen-free	no

Environmental and real-life conditions

Ambient conditions

Degree of protection	IP65
Ambient temperature (operation)	-20 °C ... 80 °C (static)

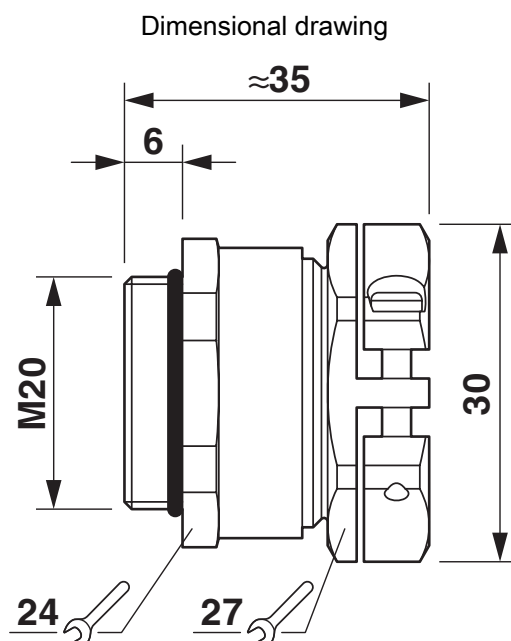
HC-M-KV-Z-M20 - Cable gland

1646146

<https://www.phoenixcontact.com/us/products/1646146>



Drawings



HC-M-KV-Z-M20 - Cable gland



1646146

<https://www.phoenixcontact.com/us/products/1646146>

Classifications

ECLASS

ECLASS-13.0	27140801
ECLASS-15.0	27140801

Phoenix Contact 2026 © - all rights reserved

<https://www.phoenixcontact.com>

Phoenix Contact USA
586 Fulling Mill Road
Middletown, PA 17057, United States
(+717) 944-1300
info@phoenixcon.com