

HC-M-KV-M32(19-27) - Cable gland



1646010

<https://www.phoenixcontact.com/us/products/1646010>

Please be informed that the data shown in this PDF document is generated from our online catalog. Please find the complete data in the user documentation. Our general terms of use for downloads are valid.



Metal screw connection up to 5 bar, thread length: 8 mm, cable diameter: 19 - 27 mm, WAF 43, screw connection: M32

Commercial data

Item number	1646010
Packing unit	10 pc
Minimum order quantity	1 pc
Sales key	BF68
Product key	AF7DAX
GTIN	4017918941253
Weight per piece (including packing)	136.42 g
Weight per piece (excluding packing)	120.5 g
Customs tariff number	74198090
Country of origin	DE

HC-M-KV-M32(19-27) - Cable gland

1646010

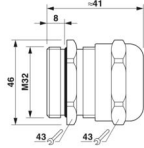
<https://www.phoenixcontact.com/us/products/1646010>

Technical data

Product properties

Product type	Cable screw gland
Application	Standard
No. of conductors	1
Manufacturer	Jacob
Manufacturer Designation	50.625/40 M
Shielded	no

Dimensions

Dimensional drawing	
Length	41 mm
Length of the connecting thread	8 mm
Hole diameter	32.1 mm ... 32.3 mm
Wrench size, union nut	43 mm
Wrench size, support	43 mm
Hexagon angular dimension	46 mm
Thread type connection side	M32 x 1.5
Thread pitch	1.5 mm

Connection data

Tightening torque	15 Nm (Union nut)
	15 Nm (Support sleeve)

Material specifications

Material Compression ring	PA
Seal material O-ring	NBR
Seal material Cable seal	CR/NBR
Material for screw connection	Brass, nickel-plated

Cable/line

External cable diameter Cable 1	19 mm ... 27 mm
Halogen-free	no

Environmental and real-life conditions

Ambient conditions

Degree of protection	IP68 (up to 5 bar)
Ambient temperature (operation)	-30 °C ... 100 °C

HC-M-KV-M32(19-27) - Cable gland

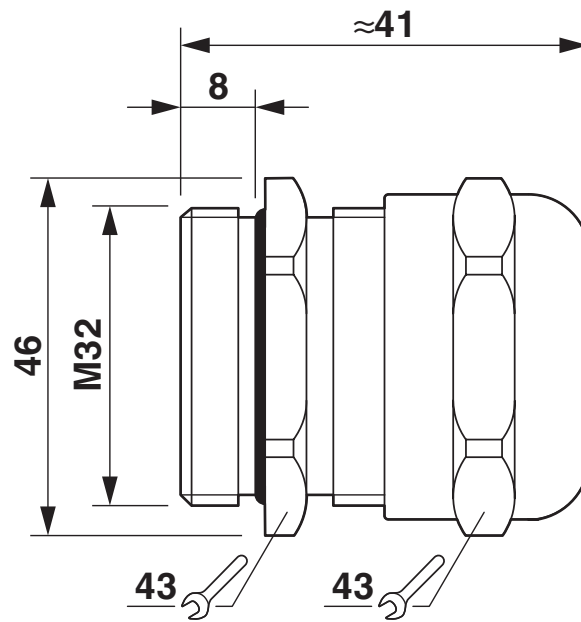
1646010

<https://www.phoenixcontact.com/us/products/1646010>



Drawings

Dimensional drawing



Dimensional drawing

HC-M-KV-M32(19-27) - Cable gland



1646010

<https://www.phoenixcontact.com/us/products/1646010>

Classifications

ECLASS

ECLASS-13.0	27140801
ECLASS-15.0	27140801

ETIM

ETIM 10.0	EC000441
-----------	----------

UNSPSC

UNSPSC 21.0	39121300
-------------	----------

HC-M-KV-M32(19-27) - Cable gland



1646010

<https://www.phoenixcontact.com/us/products/1646010>

Environmental product compliance

EU RoHS

Fulfills EU RoHS substance requirements	Yes
Exemption	6(c)

China RoHS

Environment friendly use period (EFUP)	EFUP-50
	An article-related China RoHS declaration table can be found in the download area for the respective article under "Manufacturer declaration". For all articles with EFUP-E, no China RoHS declaration table issued and required.

EU REACH SVHC

REACH candidate substance (CAS No.)	Lead(CAS: 7439-92-1)
SCIP	1acbe592-5aa9-41ac-877e-f97886f69519

EF3.1 Climate Change

CO2e kg	1.476 kg CO2e
---------	---------------

Phoenix Contact 2026 © - all rights reserved
<https://www.phoenixcontact.com>

Phoenix Contact USA
586 Fulling Mill Road
Middletown, PA 17057, United States
(+717) 944-1300
info@phoenixcon.com