

HC-M-KV-M25(14-21) - Cable gland



1646007

<https://www.phoenixcontact.com/us/products/1646007>

Please be informed that the data shown in this PDF document is generated from our online catalog. Please find the complete data in the user documentation. Our general terms of use for downloads are valid.



Metal screw connection up to 5 bar, thread length: 7 mm, cable diameter: 14 - 21 mm, WAF 34, screw connection: M25

Commercial data

Item number	1646007
Packing unit	25 pc
Minimum order quantity	1 pc
Sales key	BF68
Product key	AF7DAX
GTIN	4017918941277
Weight per piece (including packing)	82 g
Weight per piece (excluding packing)	75 g
Customs tariff number	74198090
Country of origin	DE

HC-M-KV-M25(14-21) - Cable gland

1646007

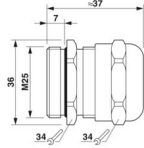
<https://www.phoenixcontact.com/us/products/1646007>

Technical data

Product properties

Product type	Cable screw gland
Application	Standard
No. of conductors	1
Manufacturer	Jacob
Manufacturer Designation	50.625/32 M
Shielded	no

Dimensions

Dimensional drawing	
Length	37 mm
Length of the connecting thread	7 mm
Hole diameter	25.1 mm ... 25.2 mm
Wrench size, union nut	34 mm
Wrench size, support	34 mm
Hexagon angular dimension	36 mm
Thread type connection side	M25 x 1.5
Thread pitch	1.5 mm

Connection data

Tightening torque	10 Nm (Union nut)
	10 Nm (Support sleeve)

Material specifications

Material Compression ring	PA
Seal material O-ring	NBR
Seal material Cable seal	CR/NBR
Material for screw connection	Brass, nickel-plated

Cable/line

External cable diameter Cable 1	14 mm ... 21 mm
Halogen-free	no

Environmental and real-life conditions

Ambient conditions

Degree of protection	IP68 (up to 5 bar)
Ambient temperature (operation)	-30 °C ... 100 °C

HC-M-KV-M25(14-21) - Cable gland

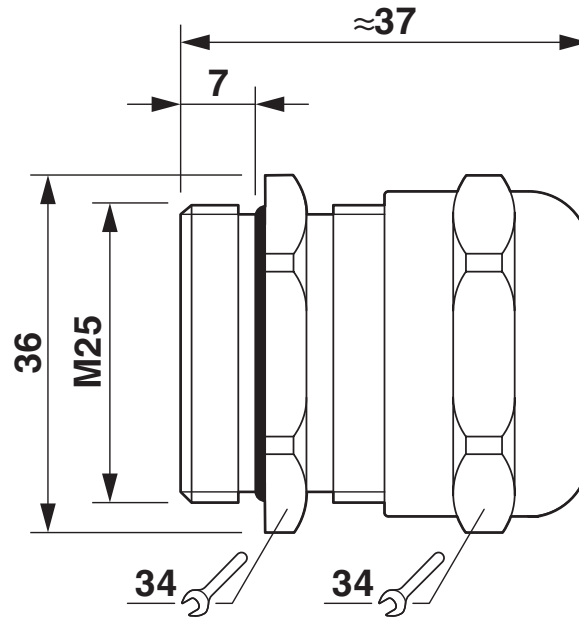
1646007

<https://www.phoenixcontact.com/us/products/1646007>



Drawings

Dimensional drawing



Dimensional drawing

HC-M-KV-M25(14-21) - Cable gland



1646007

<https://www.phoenixcontact.com/us/products/1646007>

Classifications

ECLASS

ECLASS-13.0	27140801
ECLASS-15.0	27140801

ETIM

ETIM 10.0	EC000441
-----------	----------

UNSPSC

UNSPSC 21.0	39121300
-------------	----------

HC-M-KV-M25(14-21) - Cable gland



1646007

<https://www.phoenixcontact.com/us/products/1646007>

Environmental product compliance

EU RoHS

Fulfills EU RoHS substance requirements	Yes
Exemption	6(c)

China RoHS

Environment friendly use period (EFUP)	EFUP-50
	An article-related China RoHS declaration table can be found in the download area for the respective article under "Manufacturer declaration". For all articles with EFUP-E, no China RoHS declaration table issued and required.

EU REACH SVHC

REACH candidate substance (CAS No.)	Lead(CAS: 7439-92-1)
SCIP	0356e93c-6937-45be-b44d-08281791d85b

EF3.1 Climate Change

CO2e kg	0.997 kg CO2e
---------	---------------

Phoenix Contact 2026 © - all rights reserved
<https://www.phoenixcontact.com>

Phoenix Contact USA
586 Fulling Mill Road
Middletown, PA 17057, United States
(+717) 944-1300
info@phoenixcon.com