

HC-M-BS-M32 - Screw plug



1645862

<https://www.phoenixcontact.com/us/products/1645862>

Please be informed that the data shown in this PDF document is generated from our online catalog. Please find the complete data in the user documentation. Our general terms of use for downloads are valid.

Screw plug, material for screw connection: Brass, nickel-plated, connecting thread: M32 x 1.5, color: silver-colored



Commercial data

Item number	1645862
Packing unit	10 pc
Minimum order quantity	1 pc
Sales key	BF68
Product key	AF7DZX
GTIN	4017918951115
Weight per piece (including packing)	26.2 g
Weight per piece (excluding packing)	24.963 g
Customs tariff number	74198090
Country of origin	DE

HC-M-BS-M32 - Screw plug

1645862

<https://www.phoenixcontact.com/us/products/1645862>

Technical data

Product properties

Product type	Plug for cable screw gland
--------------	----------------------------

Connection data

Tightening torque	10 Nm
-------------------	-------

Dimensions

Dimensional drawing	
Length	10.5 mm
Length of the connecting thread	7 mm
Length without connecting thread	3.5 mm
Diameter	32 mm
Connecting thread diameter	32 mm
Wrench size, union nut	35 mm
Hexagon angular dimension	39 mm
Thread type connection side	M32 x 1.5
Thread pitch	1.5 mm

Material specifications

Seal material O-ring	NBR
Housing surface material	Ni
Material for screw connection	Brass, nickel-plated

Cable/line

Halogen-free	no
--------------	----

Environmental and real-life conditions

Ambient conditions

Degree of protection	IP68
Ambient temperature (operation)	-20 °C ... 80 °C

HC-M-BS-M32 - Screw plug

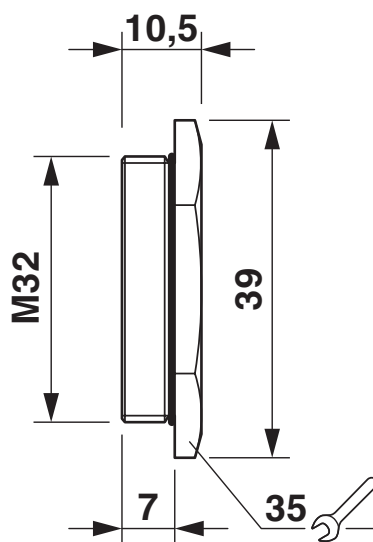
1645862

<https://www.phoenixcontact.com/us/products/1645862>



Drawings

Dimensional drawing



Dimensional drawing

HC-M-BS-M32 - Screw plug



1645862

<https://www.phoenixcontact.com/us/products/1645862>

Classifications

ECLASS

ECLASS-13.0	23111190
ECLASS-15.0	27140805

ETIM

ETIM 10.0	EC000032
-----------	----------

UNSPSC

UNSPSC 21.0	31261500
-------------	----------

HC-M-BS-M32 - Screw plug



1645862

<https://www.phoenixcontact.com/us/products/1645862>

Environmental product compliance

EU RoHS

Fulfills EU RoHS substance requirements	Yes
Exemption	6(c)

China RoHS

Environment friendly use period (EFUP)	EFUP-50
	An article-related China RoHS declaration table can be found in the download area for the respective article under "Manufacturer declaration". For all articles with EFUP-E, no China RoHS declaration table issued and required.

EU REACH SVHC

REACH candidate substance (CAS No.)	Lead(CAS: 7439-92-1)
SCIP	96179793-2e3b-47ac-9ca7-8aec183c68bc

EF3.1 Climate Change

CO2e kg	0.298 kg CO2e
---------	---------------

Phoenix Contact 2026 © - all rights reserved
<https://www.phoenixcontact.com>

Phoenix Contact USA
586 Fulling Mill Road
Middletown, PA 17057, United States
(+717) 944-1300
info@phoenixcon.com