

HC-KDF 16/ 3 - Cable feed-through



1644012

<https://www.phoenixcontact.com/us/products/1644012>

Please be informed that the data shown in this PDF document is generated from our online catalog. Please find the complete data in the user documentation. Our general terms of use for downloads are valid.

Divisible cable feed-through for HC-B16-... panel mounting base; for three conductors



Commercial data

Item number	1644012
Packing unit	1 pc
Note	Made to order (non-returnable)
Sales key	BF66
Product key	AF7AZA
GTIN	4017918895877
Weight per piece (including packing)	46.7 g
Weight per piece (excluding packing)	46 g
Customs tariff number	39269097
Country of origin	DE

HC-KDF 16/ 3 - Cable feed-through



1644012

<https://www.phoenixcontact.com/us/products/1644012>

Technical data

Product properties

Product type	Cable feed-through
Type	B16

Material specifications

Material	PC
Flammability rating according to UL 94	V0

Environmental and real-life conditions

Ambient conditions

Degree of protection	IP54
Ambient temperature (operation)	-40 °C ... 125 °C

HC-KDF 16/ 3 - Cable feed-through

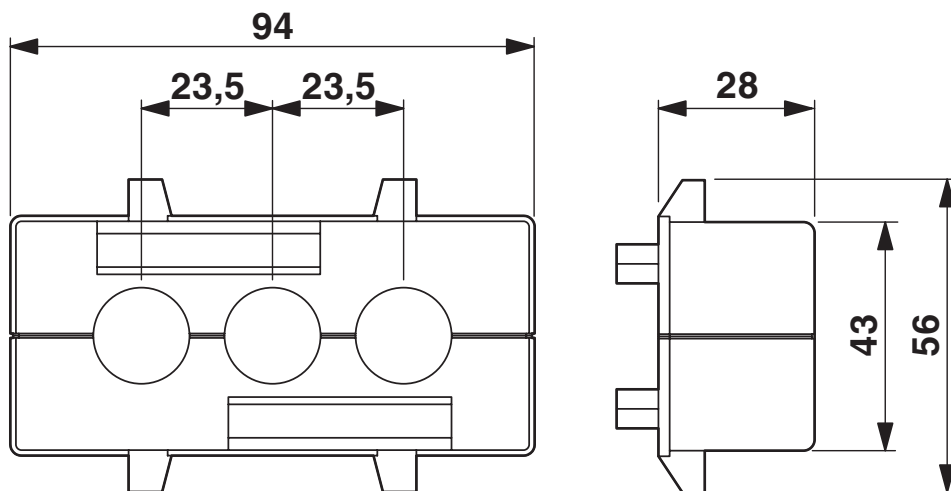


1644012

<https://www.phoenixcontact.com/us/products/1644012>

Drawings

Dimensional drawing



Dimensional drawing

HC-KDF 16/ 3 - Cable feed-through



1644012

<https://www.phoenixcontact.com/us/products/1644012>

Classifications

UNSPSC

UNSPSC 21.0	31261501
-------------	----------

HC-KDF 16/ 3 - Cable feed-through



1644012

<https://www.phoenixcontact.com/us/products/1644012>

Environmental product compliance

EU RoHS

Fulfills EU RoHS substance requirements	Yes, No exemptions
---	--------------------

China RoHS

Environment friendly use period (EFUP)	EFUP-E
	No hazardous substances above the limits

EU REACH SVHC

REACH candidate substance (CAS No.)	No substance above 0.1 wt%
-------------------------------------	----------------------------

Phoenix Contact 2026 © - all rights reserved
<https://www.phoenixcontact.com>

Phoenix Contact USA
586 Fulling Mill Road
Middletown, PA 17057, United States
(+717) 944-1300
info@phoenixcon.com