

HC-B 24-TFQ-76/O1STM25S-EMV - EMC housing



1642797

<https://www.phoenixcontact.com/us/products/1642797>

Please be informed that the data shown in this PDF document is generated from our online catalog. Please find the complete data in the user documentation. Our general terms of use for downloads are valid.



HEAVYCON sleeve housing B24, for double locking latch, height 76 mm, with thread M25, lateral cable outlet, EMC version

Commercial data

Item number	1642797
Packing unit	1 pc
Note	Made to order (non-returnable)
Sales key	BF60
Product key	AF7AAD
GTIN	4046356028554
Weight per piece (including packing)	268.81 g
Weight per piece (excluding packing)	232.8 g
Customs tariff number	85389099
Country of origin	CZ

1642797

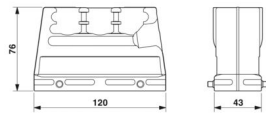
<https://www.phoenixcontact.com/us/products/1642797>

Technical data

Product properties

Product type	Housing with locking latch
Housing type	Sleeve housing
Application	EMC
Type	B24
No. of cable outlets	1
Type of the screw connection	1x M25
Shielded	yes
Cable outlet	lateral
Pg screw connection	none

Dimensions

Dimensional drawing	
Width	43 mm
Height	76 mm
Length	120 mm

Material specifications

Housing material	Die-cast aluminum
Housing surface material	EMC coating, silver

Mechanical properties

Mechanical data

Type of the screw connection	1x M25
Locking type	Pin

Mounting

Assembly note	Sleeve housing fits on the HC-B 24-AMQ-EMV panel mounting base
---------------	--

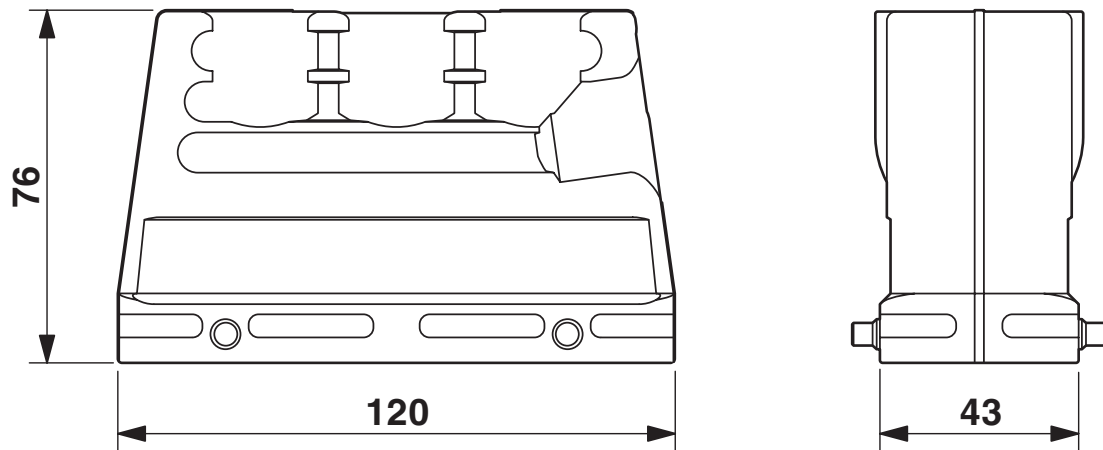
Environmental and real-life conditions

Ambient conditions

Degree of protection	IP65
Ambient temperature (operation)	-40 °C ... 100 °C

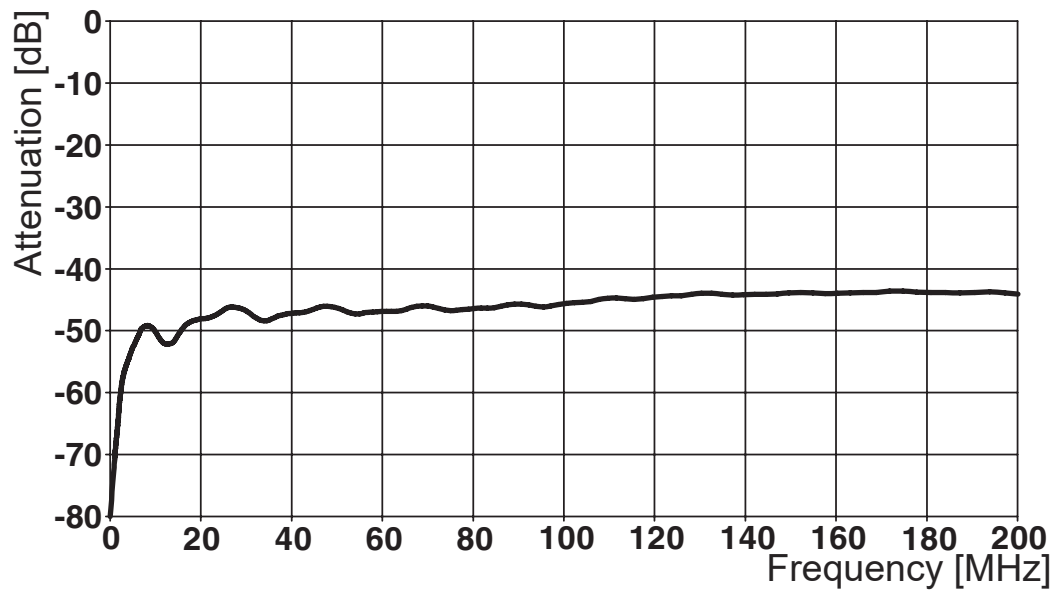
Drawings

Dimensional drawing



Dimensional drawing

Diagram



HC-B 24-TFQ-76/O1STM25S-EMV - EMC housing



1642797

<https://www.phoenixcontact.com/us/products/1642797>

Classifications

ECLASS

ECLASS-13.0	27440202
ECLASS-15.0	27440202

Phoenix Contact 2026 © - all rights reserved

<https://www.phoenixcontact.com>

Phoenix Contact USA
586 Fulling Mill Road
Middletown, PA 17057, United States
(+717) 944-1300
info@phoenixcon.com