

# Q 1,5/2A50/11-M20KU-ESA - Panel feed-through



1640728

<https://www.phoenixcontact.com/us/products/1640728>

Please be informed that the data shown in this PDF document is generated from our online catalog. Please find the complete data in the user documentation. Our general terms of use for downloads are valid.

Panel feed-through with wire exit 1.5 mm<sup>2</sup> and 0.5 m Litz wire: connecting thread: M20, 2-pos.



## Your advantages

- Robust throughout: housing with IP65/IP67 protection for a wide range of applications

## Commercial data

Item number	1640728
Packing unit	1 pc
Minimum order quantity	1 pc
Note	Made to order (non-returnable)
Sales key	BF50
Product key	AF6HAB
GTIN	4017918177430
Weight per piece (including packing)	40.6 g
Weight per piece (excluding packing)	39.9 g
Customs tariff number	85366990
Country of origin	PL

# Q 1,5/2A50/11-M20KU-ESA - Panel feed-through



1640728

<https://www.phoenixcontact.com/us/products/1640728>

## Technical data

### Product properties

Product type	Panel feed-through
Number of positions	2
Position marking	1, 2
Number of connections	2
Number of connections per position	1
Shielded	no

### Insulation characteristics

Overvoltage category	III
Degree of pollution	3

### Connection data

#### Connection technology

Connection method On the device side	Single wires
Frequency of connections between conductors of the same cross section	10 (if the conductor is connected more than once, seal and cap may need to be replaced.)

#### Conductor connection

Conductor cross-section flexibel	0.75 mm <sup>2</sup> ... 1.5 mm <sup>2</sup>
Conductor cross-section solid	0.75 mm <sup>2</sup> ... 1 mm <sup>2</sup>
Connection cross section AWG	18 ... 16
Tightening torque Union nut	2.5 Nm
Tightening torque Contact carrier	3.75 Nm
Tightening torque Locking nut	3.75 Nm
Wrench size Union nut	22 mm
Wrench size Contact carrier	22 mm

#### Connection assignment

Contact   Color (signal designation)   Contact (optional)	1   BN
	2   WH

### Dimensions

Dimensional drawing	
Width	22 mm

# Q 1,5/2A50/11-M20KU-ESA - Panel feed-through



1640728

<https://www.phoenixcontact.com/us/products/1640728>

Height	22 mm
Length	43.7 mm

## Electrical properties

Rated surge voltage (III/3)	6 kV
Contact resistance	< 3 mΩ
rated voltage (II/2)	630 V (with insulating sleeve)
rated voltage (III/2)	320 V (with insulating sleeve)
Rated voltage (III/3)	250 V (with insulating sleeve)
Nominal voltage $U_N$	250 V AC 250 V DC
Nominal current $I_N$	17.5 A

## Material specifications

Color (Housing)	green (RAL 6021)
Material Housing	PA
Flammability rating according to UL 94	V0
Material wire insulation	PVC / PE
Contact material	Copper alloy
Contact surface material	Pre-nickel plated and tin-plated
Contact carrier material	PA 6.6

## Cable/line

Cable length	0.5 m
Structure of individual litz in acc. with VDE 0295 / smallest wire diameter	VDE 0295 Cl.2-5, min. wire diameter 0.2 mm
Wire diameter including insulation	$\geq 3$ mm
Position marking	1, 2
Cable cross section	1.5 mm <sup>2</sup>

## Mounting

Mounting type	Front mounting M20
Assembly note	If the conductor is reconnected, it must be cut off above the last contact point. QUICKON components may only be operated when under no load.

## Environmental and real-life conditions

### Ambient conditions

Degree of protection	IP65 IP67
Impact strength	IK06
Ambient temperature (operation)	-25 °C ... 80 °C (Specifications of the cable manufacturer must be observed.) -25 °C ... 50 °C (when the conductor is connected. Specifications of the cable manufacturer must also be observed.)
Temperature when conductor connected	-5 °C ... 50 °C

# Q 1,5/2A50/11-M20KU-ESA - Panel feed-through

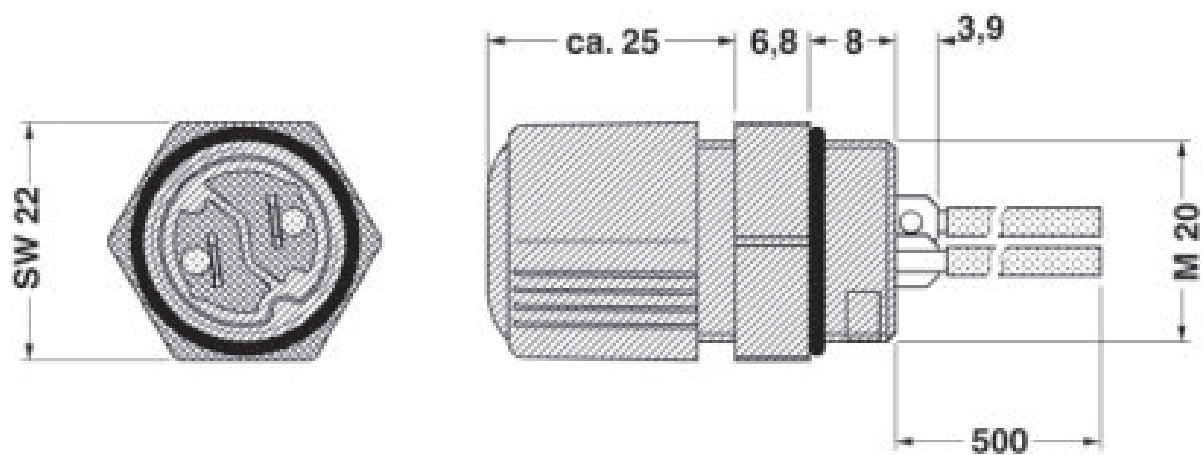


1640728

<https://www.phoenixcontact.com/us/products/1640728>

## Drawings

### Dimensional drawing



# Q 1,5/2A50/11-M20KU-ESA - Panel feed-through



1640728

<https://www.phoenixcontact.com/us/products/1640728>

## Classifications

### ECLASS

ECLASS-13.0	27440602
ECLASS-15.0	27440602

### UNSPSC

UNSPSC 21.0	39121500
-------------	----------

# Q 1,5/2A50/11-M20KU-ESA - Panel feed-through



1640728

<https://www.phoenixcontact.com/us/products/1640728>

## Environmental product compliance

### EU RoHS

Fulfills EU RoHS substance requirements	Yes, No exemptions
---	--------------------

### China RoHS

Environment friendly use period (EFUP)	EFUP-50
	An article-related China RoHS declaration table can be found in the download area for the respective article under "Manufacturer declaration". For all articles with EFUP-E, no China RoHS declaration table issued and required.

### EU REACH SVHC

REACH candidate substance (CAS No.)	No substance above 0.1 wt%
-------------------------------------	----------------------------

Phoenix Contact 2026 © - all rights reserved

<https://www.phoenixcontact.com>

Phoenix Contact USA  
586 Fulling Mill Road  
Middletown, PA 17057, United States  
(+717) 944-1300  
[info@phoenixcon.com](mailto:info@phoenixcon.com)