

Q 1,5/3FL/13-M20KU-ESA - Panel feed-through



1640663

<https://www.phoenixcontact.com/us/products/1640663>

Please be informed that the data shown in this PDF document is generated from our online catalog. Please find the complete data in the user documentation. Our general terms of use for downloads are valid.



QUICKON panel feed-through, for external panel mounting with manual solder/slip-on connection, 4.8 x 0.8 mm, 3-pos.

Your advantages

- Robust throughout: housing with IP65/IP67 protection for a wide range of applications

Commercial data

Item number	1640663
Packing unit	10 pc
Minimum order quantity	1 pc
Sales key	BF50
Product key	AF6HAB
GTIN	4017918188771
Weight per piece (including packing)	22.6 g
Weight per piece (excluding packing)	22.57 g
Customs tariff number	85366990
Country of origin	PL

Q 1,5/3FL/13-M20KU-ESA - Panel feed-through



1640663

<https://www.phoenixcontact.com/us/products/1640663>

Technical data

Product properties

Product type	Panel feed-through
Number of positions	3
Position marking	1, 2, 3
Number of connections	3
Number of connections per position	1
Shielded	no

Insulation characteristics

Overvoltage category	III
Degree of pollution	3

Connection data

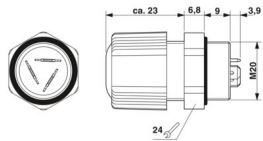
Connection technology

Connection method On the device side	Manual solder/slip on connection
Frequency of connections between conductors of the same cross section	10

Conductor connection

Conductor cross-section flexibel	0.75 mm ² ... 1.5 mm ²
Conductor cross-section solid	0.75 mm ² ... 1 mm ²
Connection cross section AWG	18 ... 16
Tightening torque Union nut	2.5 Nm
Tightening torque Contact carrier	3.75 Nm
Tightening torque Locking nut	3.75 Nm
Wrench size Union nut	24 mm
Wrench size Contact carrier	24 mm

Dimensions

Dimensional drawing	
Width	24 mm
Height	24 mm
Length	42.7 mm

Electrical properties

Rated surge voltage (III/3)	6 kV
Contact resistance	< 3 mΩ
rated voltage (II/2)	630 V (with insulating sleeve)

Q 1,5/3FL/13-M20KU-ESA - Panel feed-through



1640663

<https://www.phoenixcontact.com/us/products/1640663>

rated voltage (III/2)	320 V (with insulating sleeve)
Rated voltage (III/3)	250 V (with insulating sleeve)
Nominal voltage U_N	250 V AC
	250 V DC
Nominal current I_N	17.5 A (15 A with slip-on sleeve 2.5 mm ² ; 12 A with slip-on sleeve 1.5 mm ² .)

Material specifications

Color (Housing)	green (RAL 6021)
Material Housing	PA
Flammability rating according to UL 94	V0
Material wire insulation	PVC / PE
Contact material	Copper alloy
Contact surface material	Pre-nickel plated and tin-plated
Contact carrier material	PA 6.6

Cable/line

Structure of individual litz in acc. with VDE 0295 / smallest wire diameter	VDE 0295 Cl.2-5, min. wire diameter 0.2 mm
Position marking	1, 2, 3

Mounting

Mounting type	Front mounting M20
Assembly note	If the conductor is reconnected, it must be cut off above the last contact point. QUICKON components may only be operated when under no load.

Environmental and real-life conditions

Ambient conditions

Degree of protection	IP67
	IP67
Impact strength	IK07
Ambient temperature (operation)	-25 °C ... 80 °C (Specifications of the cable manufacturer must be observed.)
	-25 °C ... 50 °C (when the conductor is connected. Specifications of the cable manufacturer must also be observed.)
Temperature when conductor connected	-5 °C ... 50 °C

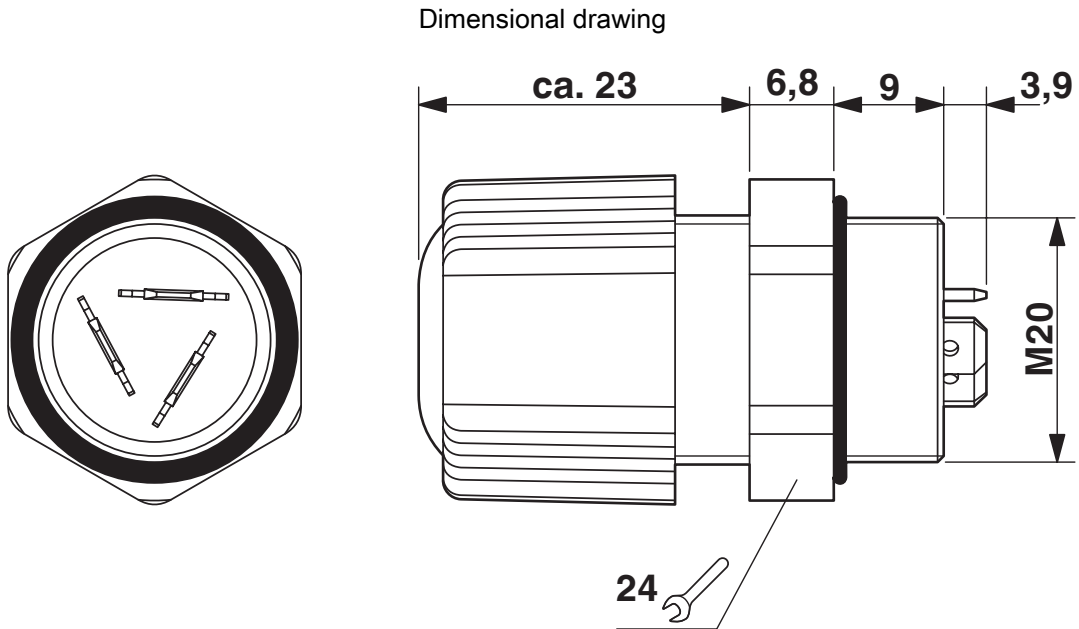
Q 1,5/3FL/13-M20KU-ESA - Panel feed-through



1640663

<https://www.phoenixcontact.com/us/products/1640663>

Drawings



Q 1,5/3FL/13-M20KU-ESA - Panel feed-through




1640663


<https://www.phoenixcontact.com/us/products/1640663>


Approvals

To download certificates, visit the product detail page: <https://www.phoenixcontact.com/us/products/1640663>

 cUL Recognized Approval ID: E118976				
	Nominal voltage U_N	Nominal current I_N	Cross section AWG	Cross section mm^2
keine				
	250 V	11 A	-	-

 UL Recognized Approval ID: E118976				
	Nominal voltage U_N	Nominal current I_N	Cross section AWG	Cross section mm^2
keine				
	250 V	15 A	-	-

 EAC Approval ID: RU C-DE.A*30.B.01102				
---	--	--	--	--

 VDE approval of drawings Approval ID: 40032336				
	Nominal voltage U_N	Nominal current I_N	Cross section AWG	Cross section mm^2
keine				
	500 V	-	-	0.75 - 1.5

Q 1,5/3FL/13-M20KU-ESA - Panel feed-through



1640663

<https://www.phoenixcontact.com/us/products/1640663>

Classifications

ECLASS

ECLASS-13.0	27440602
ECLASS-15.0	27440602

ETIM

ETIM 10.0	EC002566
-----------	----------

UNSPSC

UNSPSC 21.0	39121500
-------------	----------

Q 1,5/3FL/13-M20KU-ESA - Panel feed-through



1640663

<https://www.phoenixcontact.com/us/products/1640663>

Environmental product compliance

EU RoHS

Fulfills EU RoHS substance requirements	Yes, No exemptions
---	--------------------

China RoHS

Environment friendly use period (EFUP)	EFUP-E
	No hazardous substances above the limits

EU REACH SVHC

REACH candidate substance (CAS No.)	No substance above 0.1 wt%
-------------------------------------	----------------------------

EF3.1 Climate Change

CO2e kg	0.256 kg CO2e
---------	---------------

Phoenix Contact 2026 © - all rights reserved
<https://www.phoenixcontact.com>

Phoenix Contact USA
586 Fulling Mill Road
Middletown, PA 17057, United States
(+717) 944-1300
info@phoenixcon.com