

KV-M-M50-GD-(2X9) - Cable gland



1636538

<https://www.phoenixcontact.com/us/products/1636538>

Please be informed that the data shown in this PDF document is generated from our online catalog. Please find the complete data in the user documentation. Our general terms of use for downloads are valid.



HEAVYCON M50 cable screw connection, metal, panel feed-through for data plug, with separable grommet, 2 x 9 mm hole diameter; inside diameter 42 mm

Commercial data

Item number	1636538
Packing unit	5 pc
Minimum order quantity	1 pc
Sales key	BF68
Product key	AF7DAX
GTIN	4046356028264
Weight per piece (including packing)	257.64 g
Weight per piece (excluding packing)	257.64 g
Customs tariff number	74122000
Country of origin	DE

KV-M-M50-GD-(2X9) - Cable gland

1636538

<https://www.phoenixcontact.com/us/products/1636538>

Technical data

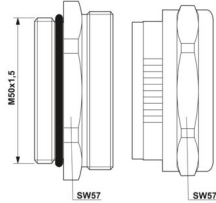
Product properties

Product type	Multiple screw connection
Application	for data connectors
No. of conductors	2
Manufacturer	Pflitsch
Manufacturer Designation	25057 dpmk 2/9
Shielded	no

Connection data

External cable diameter	8.5 mm ... 9 mm (Cable 1)
-------------------------	---------------------------

Dimensions

Dimensional drawing	
Height	58 mm
Length	39 mm
Length of the connecting thread	10 mm
Wrench size, union nut	50 mm
Wrench size, support	54 mm
Hexagon angular dimension	58 mm
Thread type connection side	M50 x 1.5
Thread pitch	1.5 mm

Internal dimensions

Internal diameter	42 mm
-------------------	-------

Material specifications

Color	brass color
Seal material O-ring	NBR
Seal material	TPE
Material for screw connection	Brass, nickel-plated

Cable/line

External cable diameter Cable 1	8.5 mm ... 9 mm (Cable 1)
External cable diameter Cable 2	8.5 mm ... 9 mm (Cable 2)
Halogen-free	no

Characteristics

KV-M-M50-GD-(2X9) - Cable gland



1636538

<https://www.phoenixcontact.com/us/products/1636538>

Conductor sealing range	8.50 mm ... 9.00 mm
-------------------------	---------------------

Environmental and real-life conditions

Ambient conditions

Degree of protection	IP65
Ambient temperature (operation)	-40 °C ... 125 °C

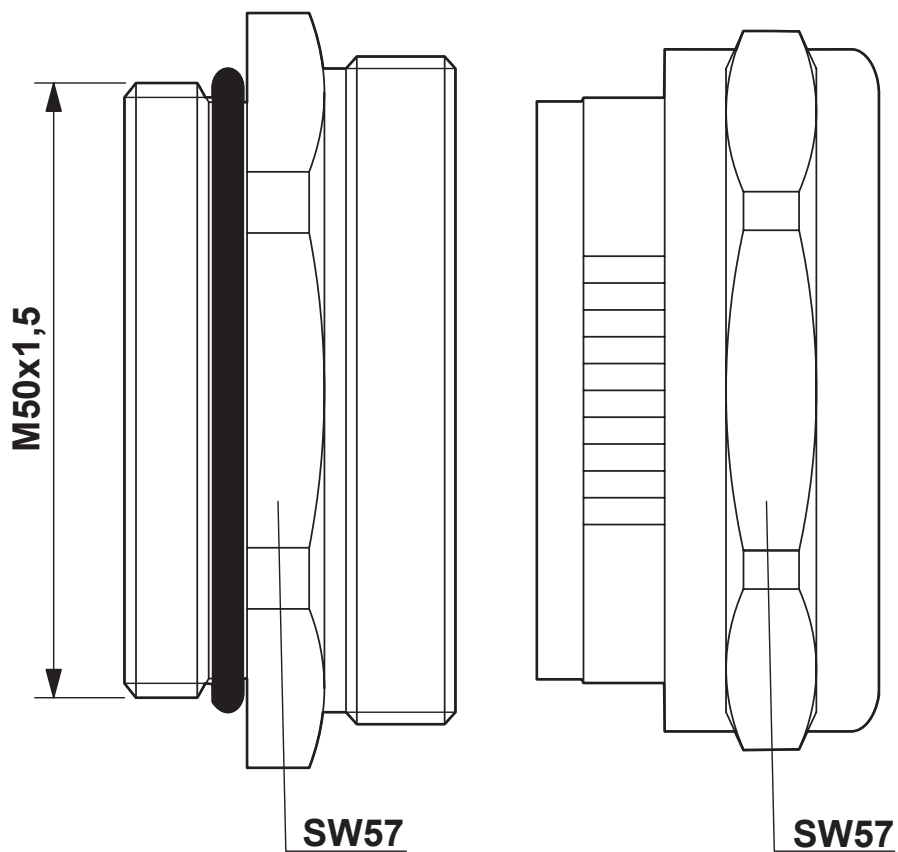
KV-M-M50-GD-(2X9) - Cable gland

1636538

<https://www.phoenixcontact.com/us/products/1636538>

Drawings

Dimensional drawing



KV-M-M50-GD-(2x9)

KV-M-M50-GD-(2X9) - Cable gland



1636538

<https://www.phoenixcontact.com/us/products/1636538>

Classifications

ECLASS

ECLASS-13.0	27140801
ECLASS-15.0	27140801

ETIM

ETIM 10.0	EC000441
-----------	----------

UNSPSC

UNSPSC 21.0	39121300
-------------	----------

KV-M-M50-GD-(2X9) - Cable gland



1636538

<https://www.phoenixcontact.com/us/products/1636538>

Environmental product compliance

EU RoHS

Fulfills EU RoHS substance requirements	Yes
Exemption	6(c)

China RoHS

Environment friendly use period (EFUP)	EFUP-50
	An article-related China RoHS declaration table can be found in the download area for the respective article under "Manufacturer declaration". For all articles with EFUP-E, no China RoHS declaration table issued and required.

EU REACH SVHC

REACH candidate substance (CAS No.)	Lead(CAS: 7439-92-1)
SCIP	ca680adf-8df2-48da-9eb6-5d5e21ef1c0a

EF3.1 Climate Change

CO2e kg	5.492 kg CO2e
---------	---------------

Phoenix Contact 2026 © - all rights reserved
<https://www.phoenixcontact.com>

Phoenix Contact USA
586 Fulling Mill Road
Middletown, PA 17057, United States
(+717) 944-1300
info@phoenixcon.com