

HC-K 8/24-ESTC - Contact insert



1636318

<https://www.phoenixcontact.com/us/products/1636318>

Please be informed that the data shown in this PDF document is generated from our online catalog. Please find the complete data in the user documentation. Our general terms of use for downloads are valid.



Contact insert, number of positions: 8+24+PE, size: B10, power contacts: 8, control contacts: 24, Pin, Crimp connection, 230 V, 16 A, 0.5 mm² ... 4 mm², application: Power/signal

Your advantages

- Shock and vibration-resistant in accordance with DIN EN 61373

Commercial data

| | |
|--------------------------------------|---------------|
| Item number | 1636318 |
| Packing unit | 1 pc |
| Minimum order quantity | 1 pc |
| Sales key | BF61 |
| Product key | AF7ABA |
| GTIN | 4046356011457 |
| Weight per piece (including packing) | 54.1 g |
| Weight per piece (excluding packing) | 52.7 g |
| Customs tariff number | 85366990 |
| Country of origin | CN |

HC-K 8/24-ESTC - Contact insert



1636318

<https://www.phoenixcontact.com/us/products/1636318>

Technical data

Mounting

| | |
|---------------|---|
| Assembly note | To ensure correct use, installation in housing with IP54 protection or better is required |
|---------------|---|

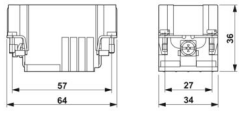
Product properties

| | |
|-------------------------|---|
| Product type | Contact insert with a fixed no. of positions |
| Series | HC-K |
| Application | Power/signal |
| Type | B10 |
| Number of positions | 32 |
| Connection profile | 8+24+PE |
| Contact numbering | 1 - 8 (power contacts) 1 - 24 (control contacts) |
| No. of power contacts | 8 |
| No. of control contacts | 24 |
| Contact material type | turned |

Insulation characteristics

| | |
|----------------------|-----|
| Overvoltage category | III |
| Degree of pollution | 3 |

Dimensions

| | |
|---------------------------------|--|
| Dimensional drawing |  |
| Width | 34 mm |
| Height | 36 mm |
| Length | 64 mm |
| Drill hole distance, horizontal | 57 mm |

Mechanical characteristics

| | |
|------------------|--------|
| Contact diameter | 2.5 mm |
|------------------|--------|

Connection data

Connection technology

| | |
|-----------------------|---|
| Connection technology | Crimp connection (power contacts) Crimp connection (Signal contacts) |
|-----------------------|---|

Conductor connection

| | |
|-------------------------|---|
| Conductor cross-section | 0.5 mm ² ... 4 mm ² (power contacts) 0.14 mm ² ... 2.5 mm ² (control contacts) |
|-------------------------|---|

HC-K 8/24-ESTC - Contact insert



1636318

<https://www.phoenixcontact.com/us/products/1636318>

| | |
|---|--|
| Connection cross section AWG | 20 ... 12 (power contacts) |
| | 26 ... 14 (control contacts) |
| Tightening torque | 0.8 Nm ... 1.2 Nm (PE connection) |
| | 0.5 Nm ... 0.8 Nm (Mounting screws for mounting in the HEAVYCON housing) |
| Stripping length of the individual wire | 7.5 mm (Power) |
| | 8 mm (Signal 0.14 mm ² ... 1.5 mm ²) |
| | 6 mm (Signal 2.5 mm ²) |

Electrical properties

| | |
|----------------------------------|------------------------------------|
| Rated voltage (III/3) | 230 V (Power contacts wire-ground) |
| | 400 V (Power contacts wire-wire) |
| | 160 V |
| Rated voltage for power contacts | 230/400 V |
| Rated surge voltage | 4 kV (power contacts) |
| | 2.5 kV (control contacts) |
| Rated current | 16 A (power contacts) |
| | 10 A (control contacts) |

Mechanical properties

Mechanical data

| | |
|-----------------------------|-------|
| Insertion/withdrawal cycles | ≥ 500 |
|-----------------------------|-------|

Material specifications

| | |
|--|-----------------------|
| Flammability rating according to UL 94 | V0 |
| Contact material | Cu alloy |
| Contact carrier material | PC |
| Material of contact surface, power contact | Ag (alternat. Au) |
| Material of contact surface, control contact | Ag (alternatively Au) |
| Standards/regulations | PC |
| | PC |

Environmental and real-life conditions

Ambient conditions

| | |
|---|--|
| Ambient temperature (operation) (Operation) | -40 °C ... 125 °C (including heating up of contacts) |
|---|--|

Standards and regulations

Testing

| | |
|-----------------------|--|
| Standards/regulations | PC: Fire protection in rail vehicles - requirement set R22 acc. to DIN EN 45545-2 (Risk level HL1 - HL2) |
| | PC: Fire protection in rail vehicles - requirement set R23 acc. to DIN EN 45545-2 (Risk level HL1 - HL3) |

HC-K 8/24-ESTC - Contact insert

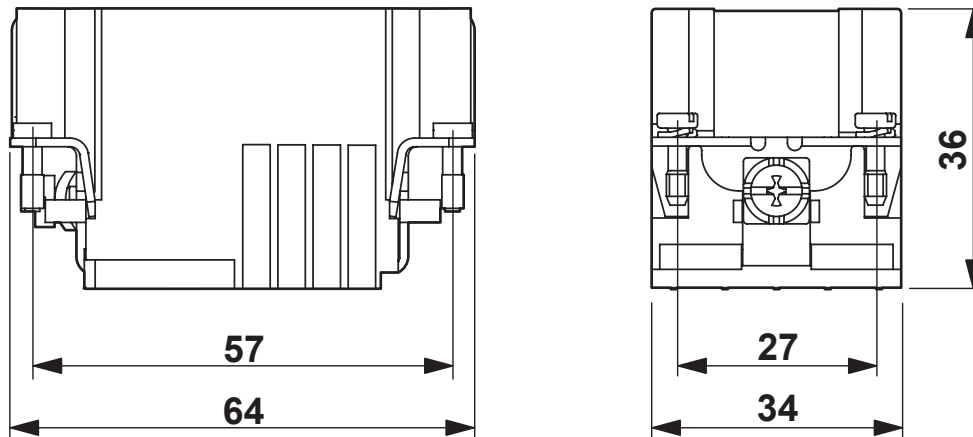


1636318

<https://www.phoenixcontact.com/us/products/1636318>

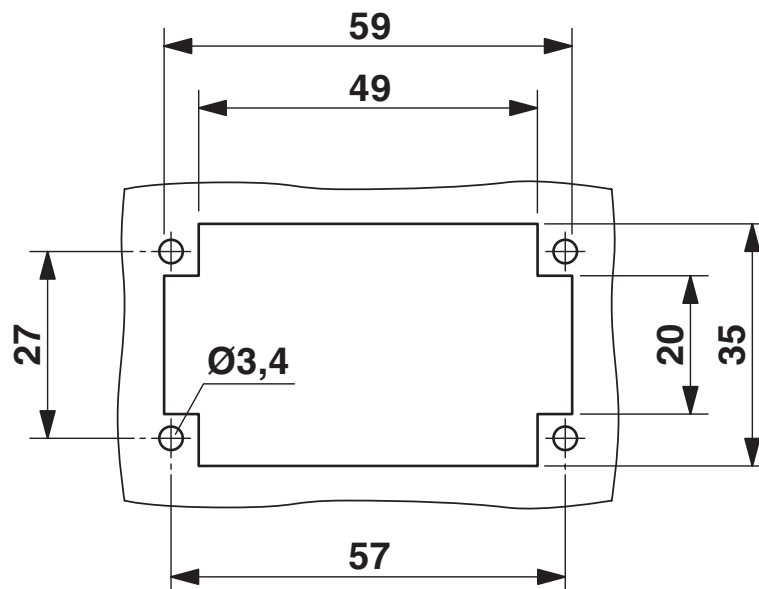
Drawings

Dimensional drawing



Dimensional drawing

Dimensional drawing



Mounting cutout when used without housing

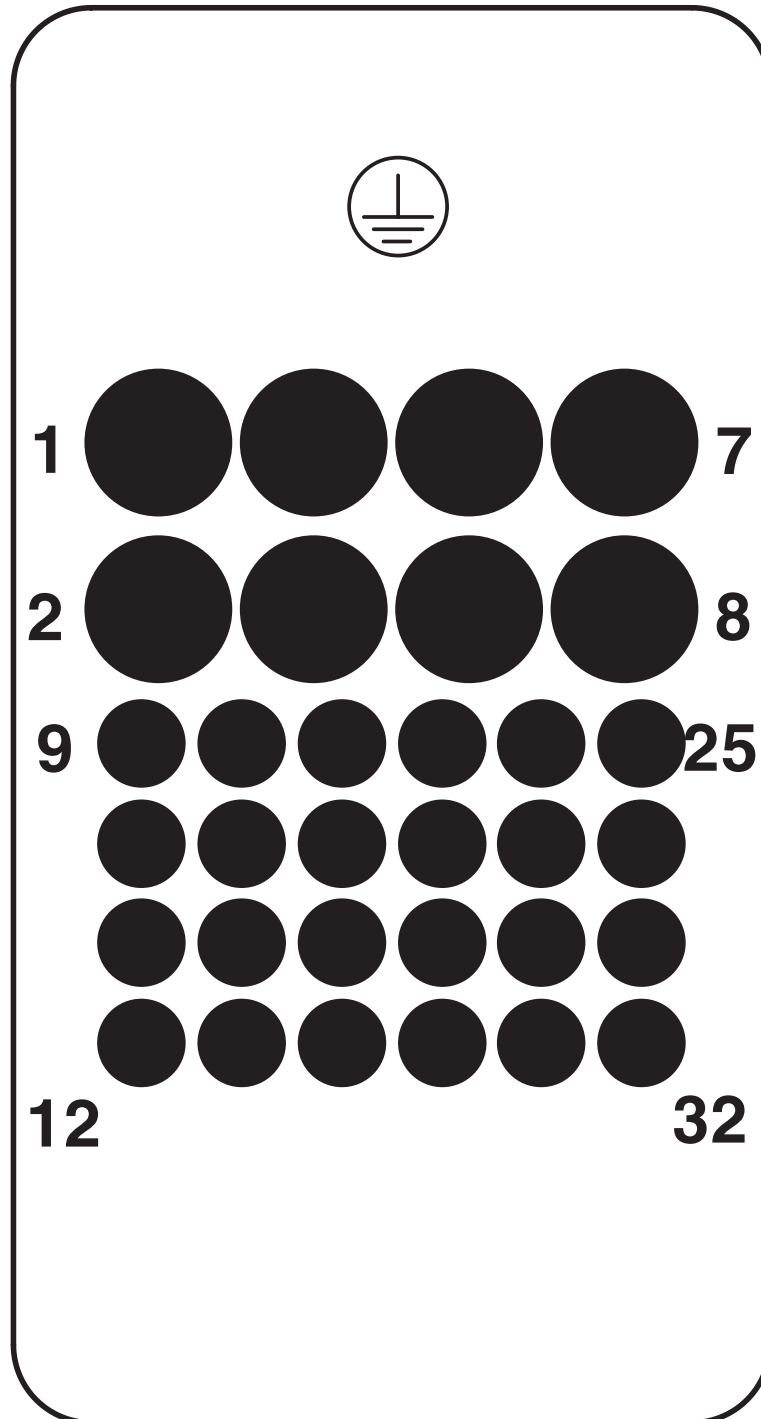
HC-K 8/24-ESTC - Contact insert

1636318

<https://www.phoenixcontact.com/us/products/1636318>



Schematic diagram



Connector pin assignment, connection side

HC-K 8/24-ESTC - Contact insert

1636318

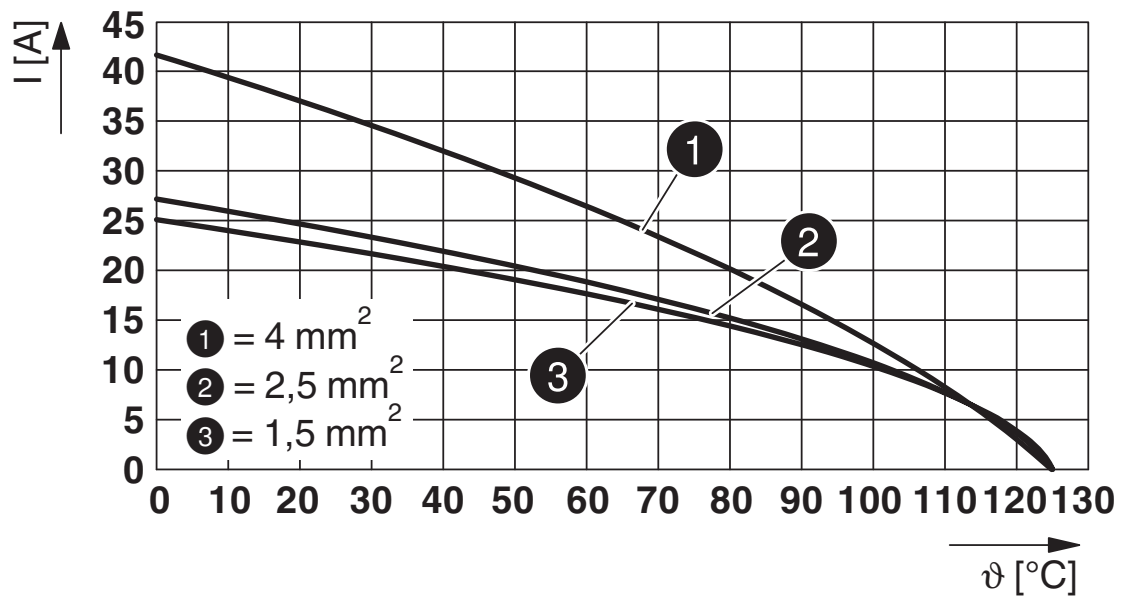
<https://www.phoenixcontact.com/us/products/1636318>

Schematic diagram



Coding options

Diagram



Derating diagram

HC-K 8/24-ESTC - Contact insert




1636318

<https://www.phoenixcontact.com/us/products/1636318>

Approvals

To download certificates, visit the product detail page: <https://www.phoenixcontact.com/us/products/1636318>

|  UL Recognized Approval ID: FILE E 118976 | | | | |
|--|-----------------------|-----------------------|-------------------|-----------------------------|
| | Nominal voltage U_N | Nominal current I_N | Cross section AWG | Cross section mm^2 |
| keine | | | | |
| Power | 600 V | 16 A | - 14 | - |
| Control | 600 V | 10 A | - 14 | - |

HC-K 8/24-ESTC - Contact insert



1636318

<https://www.phoenixcontact.com/us/products/1636318>

Classifications

ECLASS

| | |
|-------------|----------|
| ECLASS-13.0 | 27440205 |
| ECLASS-15.0 | 27440205 |

ETIM

| | |
|-----------|----------|
| ETIM 10.0 | EC000438 |
|-----------|----------|

UNSPSC

| | |
|-------------|----------|
| UNSPSC 21.0 | 39121500 |
|-------------|----------|

HC-K 8/24-ESTC - Contact insert



1636318

<https://www.phoenixcontact.com/us/products/1636318>

Environmental product compliance

EU RoHS

| | |
|---|--------------------|
| Fulfills EU RoHS substance requirements | Yes, No exemptions |
|---|--------------------|

China RoHS

| | |
|--|--|
| Environment friendly use period (EFUP) | EFUP-E |
| | No hazardous substances above the limits |

EU REACH SVHC

| | |
|-------------------------------------|----------------------------|
| REACH candidate substance (CAS No.) | No substance above 0.1 wt% |
|-------------------------------------|----------------------------|

Phoenix Contact 2026 © - all rights reserved
<https://www.phoenixcontact.com>

Phoenix Contact USA
586 Fulling Mill Road
Middletown, PA 17057, United States
(+717) 944-1300
info@phoenixcon.com