

HC-CBU-MOD - Coding element



1636130

<https://www.phoenixcontact.com/us/products/1636130>

Please be informed that the data shown in this PDF document is generated from our online catalog. Please find the complete data in the user documentation. Our general terms of use for downloads are valid.

Coding socket for coding up to 16 connectors, for HC Modular



Commercial data

Item number	1636130
Packing unit	10 pc
Minimum order quantity	10 pc
Sales key	BF61
Product key	AF7ABZ
GTIN	4017918969400
Weight per piece (including packing)	2.71 g
Weight per piece (excluding packing)	2.562 g
Customs tariff number	73181900
Country of origin	CN

HC-CBU-MOD - Coding element



1636130

<https://www.phoenixcontact.com/us/products/1636130>

Technical data

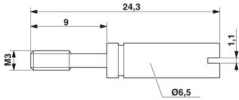
Product properties

Product type	Coding element
--------------	----------------

Material specifications

Material	Steel, galvanized
----------	-------------------

Dimensions

Dimensional drawing	
Width	6.5 mm
Height	6.5 mm
Length	24.3 mm

Notes

Notes on operation	Prevents most cases of the connector being inserted at an angle
--------------------	---

HC-CBU-MOD - Coding element

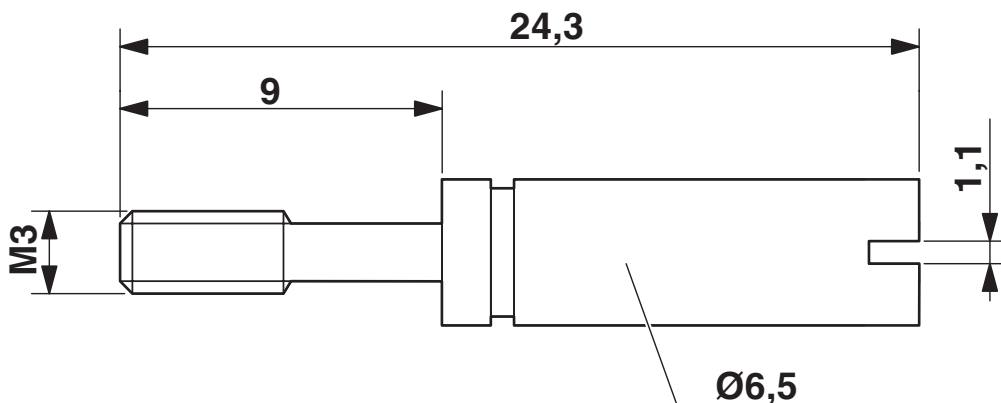


1636130

<https://www.phoenixcontact.com/us/products/1636130>

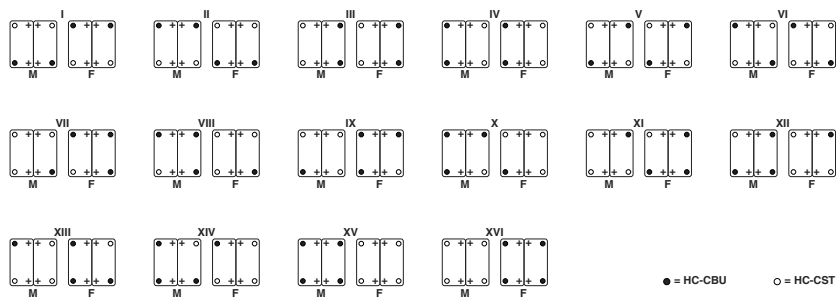
Drawings

Dimensional drawing



Dimensional drawing

Circuit diagram



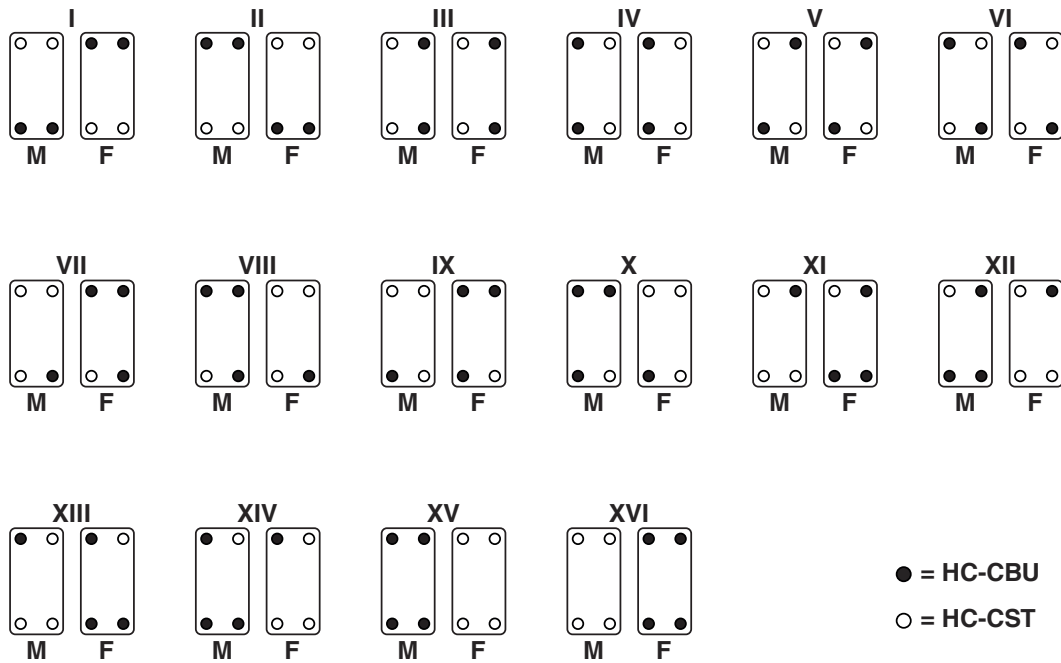
Coding for housings with two contact inserts

HC-CBU-MOD - Coding element

1636130

<https://www.phoenixcontact.com/us/products/1636130>

Circuit diagram



Coding for housings with one contact insert

HC-CBU-MOD - Coding element



1636130

<https://www.phoenixcontact.com/us/products/1636130>

Classifications

ECLASS

ECLASS-13.0	27440203
ECLASS-15.0	27440203

ETIM

ETIM 10.0	EC002311
-----------	----------

UNSPSC

UNSPSC 21.0	39121400
-------------	----------

HC-CBU-MOD - Coding element



1636130

<https://www.phoenixcontact.com/us/products/1636130>

Environmental product compliance

EU RoHS

Fulfills EU RoHS substance requirements	Yes, No exemptions
---	--------------------

China RoHS

Environment friendly use period (EFUP)	EFUP-E
	No hazardous substances above the limits

EU REACH SVHC

REACH candidate substance (CAS No.)	No substance above 0.1 wt%
-------------------------------------	----------------------------

EF3.1 Climate Change

CO2e kg	0.257 kg CO2e
---------	---------------

Phoenix Contact 2026 © - all rights reserved
<https://www.phoenixcontact.com>

Phoenix Contact USA
586 Fulling Mill Road
Middletown, PA 17057, United States
(+717) 944-1300
info@phoenixcon.com