

# EV-GBG3J-1AC32A-1,5M6,0ESBK01 - AC charging cable



1628116

<https://www.phoenixcontact.com/us/products/1628116>

Please be informed that the data shown in this PDF document is generated from our online catalog. Please find the complete data in the user documentation. Our general terms of use for downloads are valid.



CHARX connect, GB/T, AC charging cable, with infrastructure charging plug and free cable end, cable: 1.5 m, black, straight, with protective cap, with locking option for padlock, housing: black, gray, GB/T 20234.2-2015, GB/T 18487.1-2015, for charging electric vehicles (EV) with alternating current (AC) via GB/T vehicle charging inlets

## Product description

AC charging cable with Infrastructure Plug and open cable end for charging electric vehicles (EV) with alternating current (AC), compatible with type 2 Infrastructure Socket Outlets at charging stations for E-Mobility (EVSE)

## Your advantages

- Complete product range
- Convenient handling due to the ergonomic, triple award-winning design
- Available with your logo on request - for consistent branding of your charging station
- Longitudinal water tightness reliably prevents water ingress
- Developed and produced in accordance with the IATF 16949 automotive standard and ISO 9001
- Tested in accordance with automotive standards LV124, LV214, and LV215-2
- Tested in accordance with EV Ready 37 requirements

## Commercial data

Item number	1628116
Packing unit	1 pc
Minimum order quantity	1 pc
Product key	XWBABF
GTIN	4055626385334
Weight per piece (including packing)	1,103 g
Weight per piece (excluding packing)	1,103 g
Country of origin	DE

# EV-GBG3J-1AC32A-1,5M6,0ESBK01 - AC charging cable



1628116

<https://www.phoenixcontact.com/us/products/1628116>

## Technical data

### Product properties

Product type	AC charging cable
Product family	CHARX connect
Type	AC charging cable with infrastructure charging plug and free cable end
Design	with protective cap with locking option for padlock
Charging standard	GB/T
Charging mode	Mode 3

### Electrical properties

#### Charging power and current (AC charging, 1-phase)

Type of charging current	AC single-phase
Charging current	32 A AC (1-phase)
Charging power	8 kW
Rated voltage	250 V

### Material specifications

Color (Housing)	black (9005)
Color (Handle area)	gray (7042)
Color (Mating face)	black (9005)
Color (Protective cap)	black (9005)
Color (Cable)	black (9005)

### Cable/line

Cable length	1.5 m
Wiring standards/regulations	prEN 50620/DIN EN 50620
Wiring certifications	VDE
Cable weight	max. 305.00 kg/km
Cable type	Class 5
Cable type	straight
Cable structure	3 x 6.0 mm <sup>2</sup> + 1 x 0.5 mm <sup>2</sup>
External cable diameter	12.80 mm ±0.4 mm
Outer sheath, material	TPE-U
Stripping length of the sheath	60 mm ±15 mm
Stripping length	60 mm ±15 mm
Cable resistance	≤ 0.0033 Ω/m (based on a power core, at an ambient temperature of 20°C)
Bending radius	min. 96 mm (7.5x diameter)
Cable length	1.5 m
Stripping length	60 mm ±15 mm

# EV-GBG3J-1AC32A-1,5M6,0ESBK01 - AC charging cable



1628116

<https://www.phoenixcontact.com/us/products/1628116>

External cable diameter	12.80 mm ±0.4 mm
Cable type	Class 5
Wiring certifications	VDE
Wiring standards/regulations	prEN 50620/DIN EN 50620
Cable resistance	≤ 0.0033 Ω/m (based on a power core, at an ambient temperature of 20°C)

## Standards and regulations

### Standards

Standards/regulations	GB/T 20234.2-2015
	GB/T 18487.1-2015

# EV-GBG3J-1AC32A-1,5M6,0ESBK01 - AC charging cable

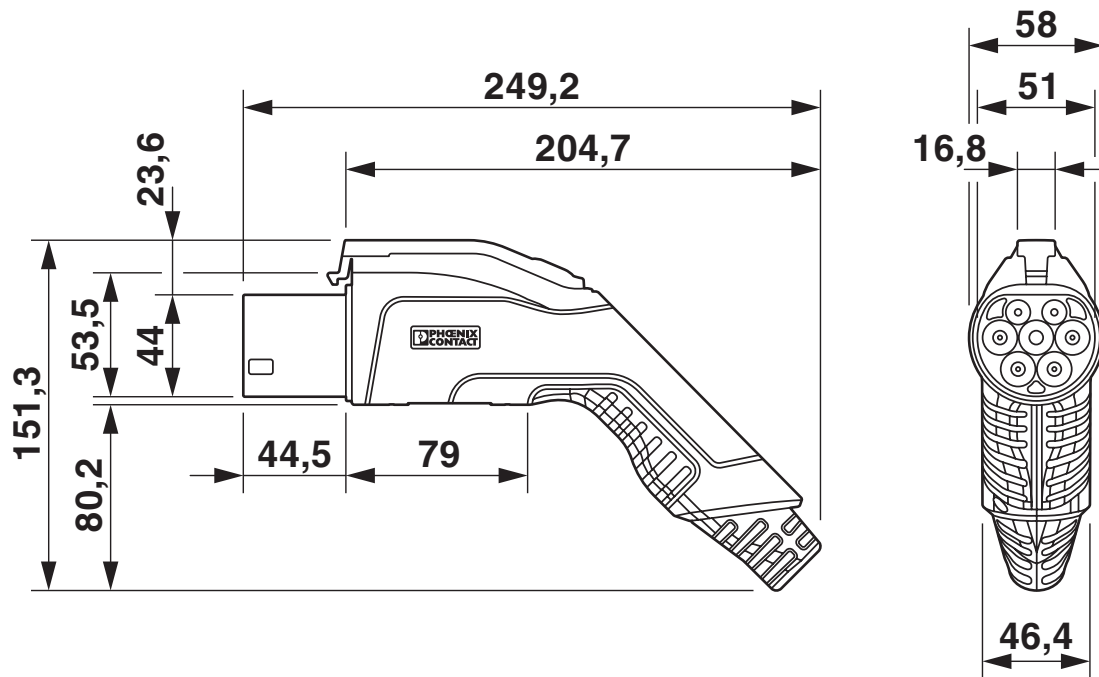


1628116

<https://www.phoenixcontact.com/us/products/1628116>

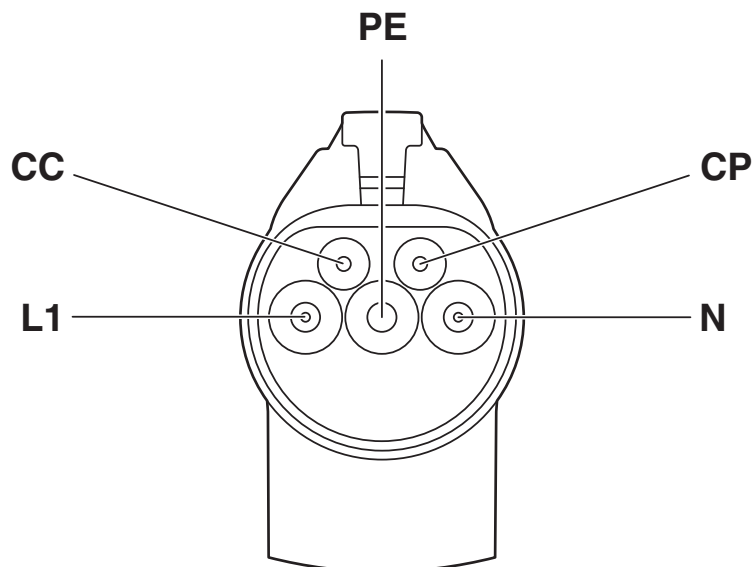
## Drawings

Dimensional drawing



Infrastructure plug

Connection diagram



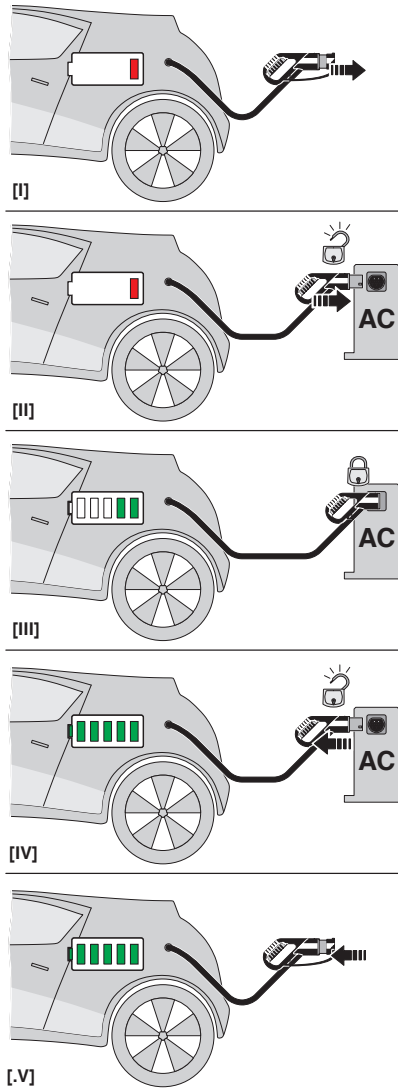
Pin assignment of Infrastructure Plug

# EV-GBG3J-1AC32A-1,5M6,0ESBK01 - AC charging cable

1628116

<https://www.phoenixcontact.com/us/products/1628116>

## Schematic diagram



Operating instructions

# EV-GBG3J-1AC32A-1,5M6,0ESBK01 - AC charging cable



1628116

<https://www.phoenixcontact.com/us/products/1628116>

## Classifications

### UNSPSC

UNSPSC 21.0	39121500
-------------	----------

# EV-GBG3J-1AC32A-1,5M6,0ESBK01 - AC charging cable



1628116

<https://www.phoenixcontact.com/us/products/1628116>

## Environmental product compliance

### China RoHS

Environment friendly use period (EFUP)	EFUP-10 An article-related China RoHS declaration table can be found in the download area for the respective article under "Manufacturer declaration". For all articles with EFUP-E, no China RoHS declaration table issued and required.
--	--

### EU REACH SVHC

REACH candidate substance (CAS No.)	No substance above 0.1 wt%
-------------------------------------	----------------------------

Phoenix Contact 2026 © - all rights reserved  
<https://www.phoenixcontact.com>

Phoenix Contact USA  
586 Fulling Mill Road  
Middletown, PA 17057, United States  
(+717) 944-1300  
[info@phoenixcon.com](mailto:info@phoenixcon.com)