

EV-T2G3P-1AC32A-1,5M6,0ESBK01 - AC charging cable



1628115

<https://www.phoenixcontact.com/us/products/1628115>

Please be informed that the data shown in this PDF document is generated from our online catalog. Please find the complete data in the user documentation. Our general terms of use for downloads are valid.



CHARX connect comfort, Type 2, AC charging cable, 32 A permanent, 250 V AC, with infrastructure charging plug and free cable end, cable: 1.5 m, black, straight, with protective cap, housing: black, gray, PHOENIX CONTACT logo, IEC 62196-2, for charging electric vehicles (EV) with alternating current (AC)

Product description

AC charging cable with Infrastructure Plug and open cable end for charging electric vehicles (EV) with alternating current (AC), compatible with type 2 Infrastructure Socket Outlets at charging stations for E-Mobility (EVSE)

Your advantages

- Complete product range
- Convenient handling due to the ergonomic, triple award-winning design
- Available with your logo on request - for consistent branding of your charging station
- Longitudinal water tightness reliably prevents water ingress
- Developed and produced in accordance with the IATF 16949 automotive standard and ISO 9001
- Tested in accordance with automotive standards LV124, LV214, and LV215-2
- Tested in accordance with EV Ready 37 requirements
- Laser-marked mating face in accordance with DIN EN 17186

Commercial data

Item number	1628115
Packing unit	1 pc
Minimum order quantity	1 pc
Product key	XWBABC
GTIN	4055626385327
Weight per piece (including packing)	0.931 g
Weight per piece (excluding packing)	881 g
Country of origin	PL

EV-T2G3P-1AC32A-1,5M6,0ESBK01 - AC charging cable



1628115

<https://www.phoenixcontact.com/us/products/1628115>

Technical data

Product properties

Product type	AC charging cable
Product family	CHARX connect comfort
Type	AC charging cable with infrastructure charging plug and free cable end
Design	with protective cap
Charging standard	Type 2
Charging mode	Mode 3
Affixed logo	PHOENIX CONTACT logo
Customer variations	On request

Electrical properties

Type of signal transmission	Pulse width modulation
Note on the connection method	Crimp connection, cannot be disconnected
Coding	220 Ω (between PE and PP)

Charging power and current (AC charging, 1-phase)

Type of charging current	AC single-phase
Charging current	32 A AC (1-phase)
Charging power	8 kW (1-phase)
Rated voltage	250 V

Pin assignment (Power contacts)

Number	3 (L1, N, PE)
Rated voltage	250 V AC
Rated current	32 A

Pin assignment (Signal contacts)

Number	2 (CP, PP)
Rated voltage	30 V AC
Rated current	2 A

Dimensions

Infrastructure charging plug

Width	58 mm
Height	131.8 mm
Depth	233.4 mm

Material specifications

Color (Housing)	black (9005)
Color (Handle area)	gray (7042)
Color (Mating face)	black (9005)

EV-T2G3P-1AC32A-1,5M6,0ESBK01 - AC charging cable



1628115

<https://www.phoenixcontact.com/us/products/1628115>

Color (Protective cap)	black (9005)
Color (Cable)	black (9005)
Material (Infrastructure charging plug)	Plastic
Material (Cable outer sheath)	TPE-U
Material (Contact surface)	Silver

Cable/line

Cable length	1.5 m
Wiring standards/regulations	prEN 50620/DIN EN 50620
Wiring certifications	VDE
Cable weight	max. 305.00 kg/km
Cable type	Class 5
Cable type	straight
Cable structure	3 x 6.0 mm ² + 1 x 0.5 mm ²
External cable diameter	12.80 mm ±0.4 mm
Outer sheath, material	TPE-U
Stripping length of the sheath	70 mm ±5 mm
Stripping length	70 mm ±5 mm
Cable resistance	≤ 0.0033 Ω/m (based on a power core, at an ambient temperature of 20°C)
Bending radius	min. 96 mm (7.5x diameter)

Mechanical properties

Mechanical data

Insertion/withdrawal cycles	> 10000
Insertion force	< 100 N
Withdrawal force	< 100 N

Environmental and real-life conditions

Ambient conditions

Degree of protection (Infrastructure charging plug)	IP44 (plugged in; when plugged in and ready to operate, the degree of protection is only ensued if both plug-in components are original products from Phoenix Contact or suitable standard-compliant products)
Degree of protection (Protective cap)	IP54
Ambient temperature (operation)	-30 °C ... 50 °C
Ambient temperature (storage/transport)	-40 °C ... 80 °C
Altitude	5000 m (above sea level)

Standards and regulations

Standards

Standards/regulations	IEC 62196-2
-----------------------	-------------

EV-T2G3P-1AC32A-1,5M6,0ESBK01 - AC charging cable

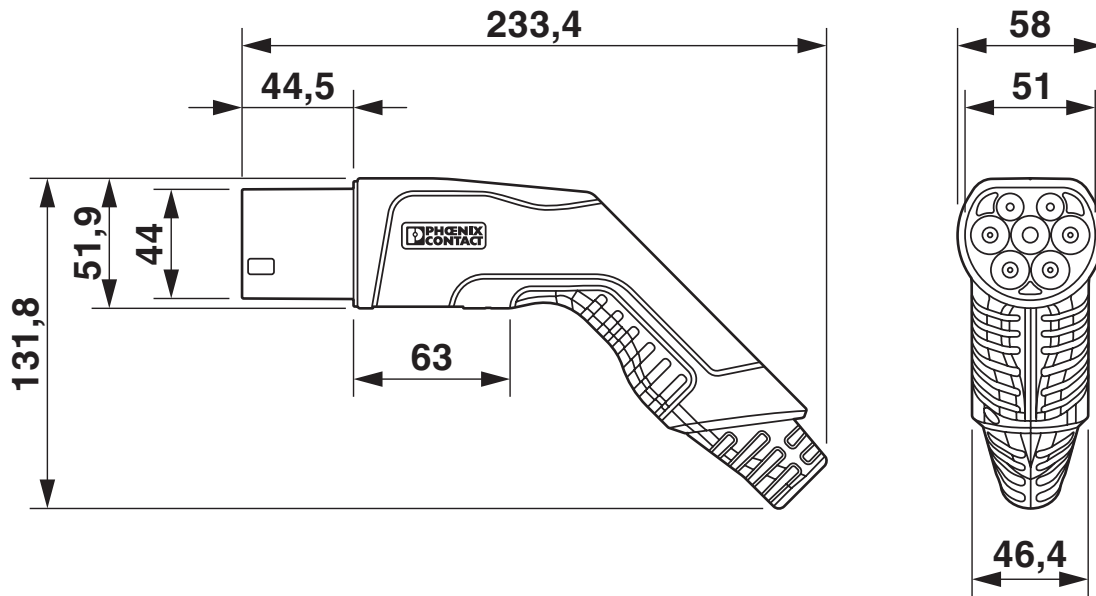


1628115

<https://www.phoenixcontact.com/us/products/1628115>

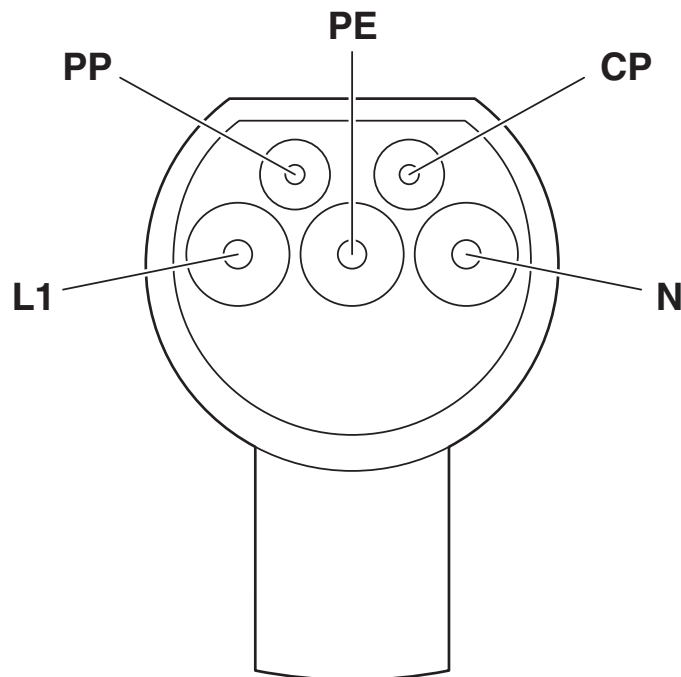
Drawings

Dimensional drawing



Infrastructure plug

Connection diagram



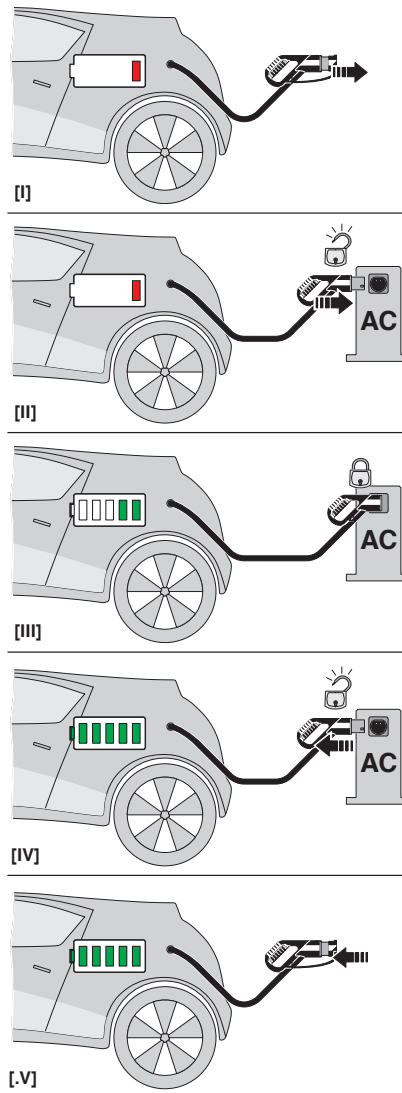
Pin assignment of Infrastructure Plug

EV-T2G3P-1AC32A-1,5M6,0ESBK01 - AC charging cable

1628115

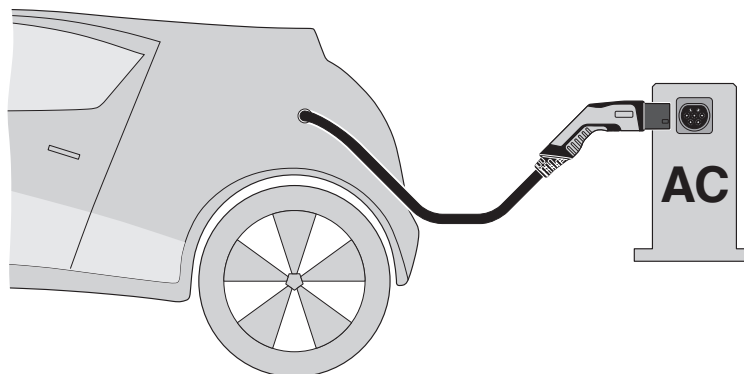
<https://www.phoenixcontact.com/us/products/1628115>

Schematic diagram



Operating instructions

Schematic diagram



Terminology definition

EV-T2G3P-1AC32A-1,5M6,0ESBK01 - AC charging cable



1628115

<https://www.phoenixcontact.com/us/products/1628115>

Classifications

ECLASS

ECLASS-13.0

27144705

ETIM

ETIM 9.0

EC002897

UNSPSC

UNSPSC 21.0

39121500

EV-T2G3P-1AC32A-1,5M6,0ESBK01 - AC charging cable



1628115

<https://www.phoenixcontact.com/us/products/1628115>

Environmental product compliance

EU RoHS

Fulfills EU RoHS substance requirements	Yes
Exemption	6(c)

China RoHS

Environment friendly use period (EFUP)	EFUP-10
	An article-related China RoHS declaration table can be found in the download area for the respective article under "Manufacturer declaration". For all articles with EFUP-E, no China RoHS declaration table issued and required.

EU REACH SVHC

REACH candidate substance (CAS No.)	Lead(CAS: 7439-92-1)
-------------------------------------	----------------------

Phoenix Contact 2026 © - all rights reserved
<https://www.phoenixcontact.com>

Phoenix Contact USA
586 Fulling Mill Road
Middletown, PA 17057, United States
(+717) 944-1300
info@phoenixcon.com