

# EV-T2SC-EM - Protective cover



1627635

<https://www.phoenixcontact.com/us/products/1627635>

Please be informed that the data shown in this PDF document is generated from our online catalog. Please find the complete data in the user documentation. Our general terms of use for downloads are valid.



CHARX connect basic, Type 2, Protective cover, Gen 1, Accessories, square, Front mounting, housing: black, with self-locking mechanism, for attachment to infrastructure charging sockets, Embossed PHOENIX CONTACT logo, IEC 62196-2

## Product description

Self-closing protective cover for infrastructure charging socket

## Your advantages

- Developed and produced in accordance with the IATF 16949 automotive standard and ISO 9001
- Individual branding, thanks to the use your own logo
- Reliable protection of your socket outlet from weather and vandalism
- Extremely easy assembly, thanks to a front-side screw connection
- Reduced assembly work, thanks to the pre-injected seal
- No separate panel mounting frame required

## Commercial data

Item number	1627635
Packing unit	1 pc
Minimum order quantity	1 pc
Sales key	EM01
Product key	XWBFAC
GTIN	4055626346083
Weight per piece (including packing)	120 g
Weight per piece (excluding packing)	120 g
Customs tariff number	39269097
Country of origin	PL

# EV-T2SC-EM - Protective cover



1627635

<https://www.phoenixcontact.com/us/products/1627635>

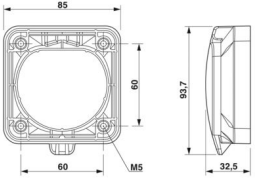
## Technical data

### Product properties

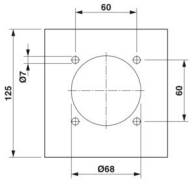
Product type	Protective cover for Socket Outlet
Product family	CHARX connect basic
Type	Gen 1 Accessories
Design	with self-locking mechanism
Charging standard	Type 2
Charging mode	Mode 3, Case B
Design (Protective cover)	square
Affixed logo	Embossed PHOENIX CONTACT logo
Customer variations	On request

### Dimensions

#### Protective cover

Dimensional drawing	 <p>Dimensional drawing</p>
Width	85 mm
Height	93.7 mm
Depth	32.5 mm

#### Bore dimensions

Dimensional drawing	 <p>Hole image</p>
Width	60 mm
Height	60 mm

### Material specifications

Color (Housing)	black (9005)
Material (Housing)	Plastic

### Environmental and real-life conditions

# EV-T2SC-EM - Protective cover



1627635

<https://www.phoenixcontact.com/us/products/1627635>

## Ambient conditions

Degree of protection (Protective cover)	IP54
	IK08
Ambient temperature (operation)	-30 °C ... 50 °C
Ambient temperature (storage/transport)	-40 °C ... 80 °C

## Standards and regulations

Standards/specifications	IEC 62196-2
Note	Compliant with AFIR - EU 2025/656

## Mounting

Mounting type Protective cover	Front mounting (front screw connection)
Screws included in the scope of delivery	M4 cylinder head screws Torx-Plus 10IPR

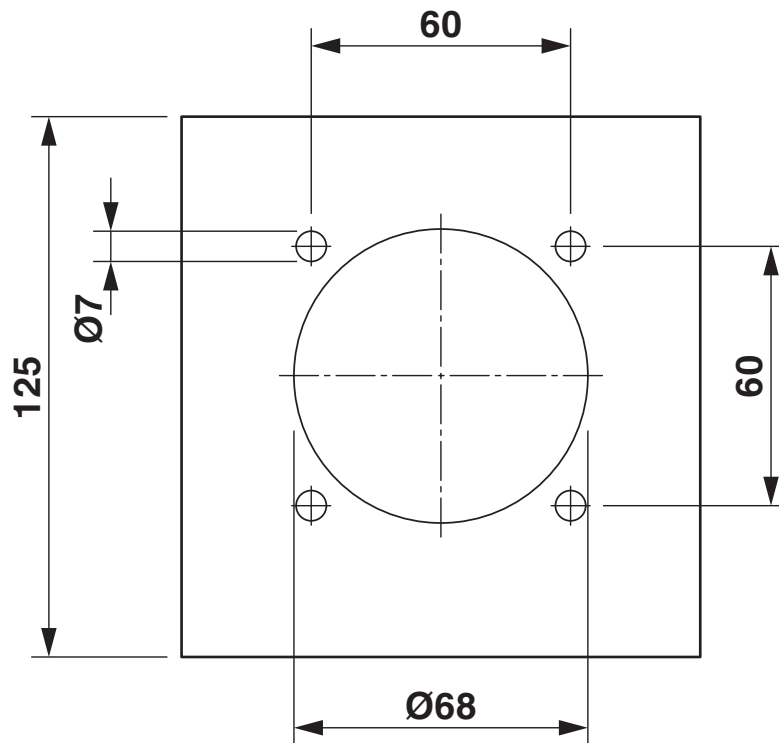
# EV-T2SC-EM - Protective cover

1627635

<https://www.phoenixcontact.com/us/products/1627635>

## Drawings

Dimensional drawing



Hole image

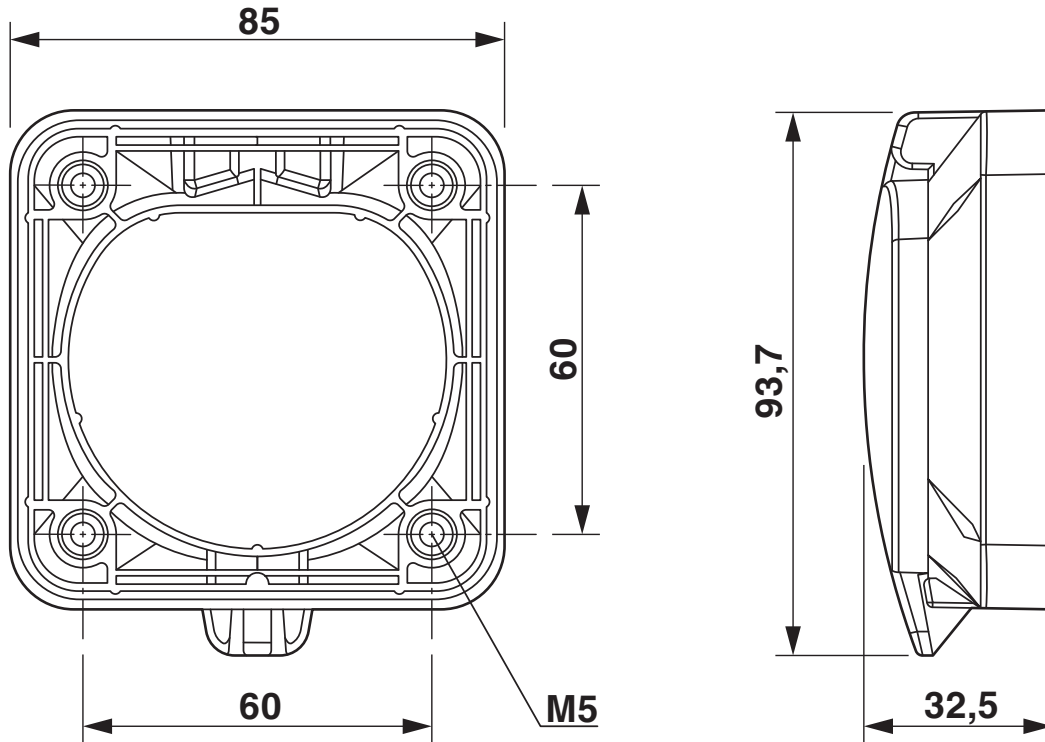
# EV-T2SC-EM - Protective cover

1627635

<https://www.phoenixcontact.com/us/products/1627635>



Dimensional drawing



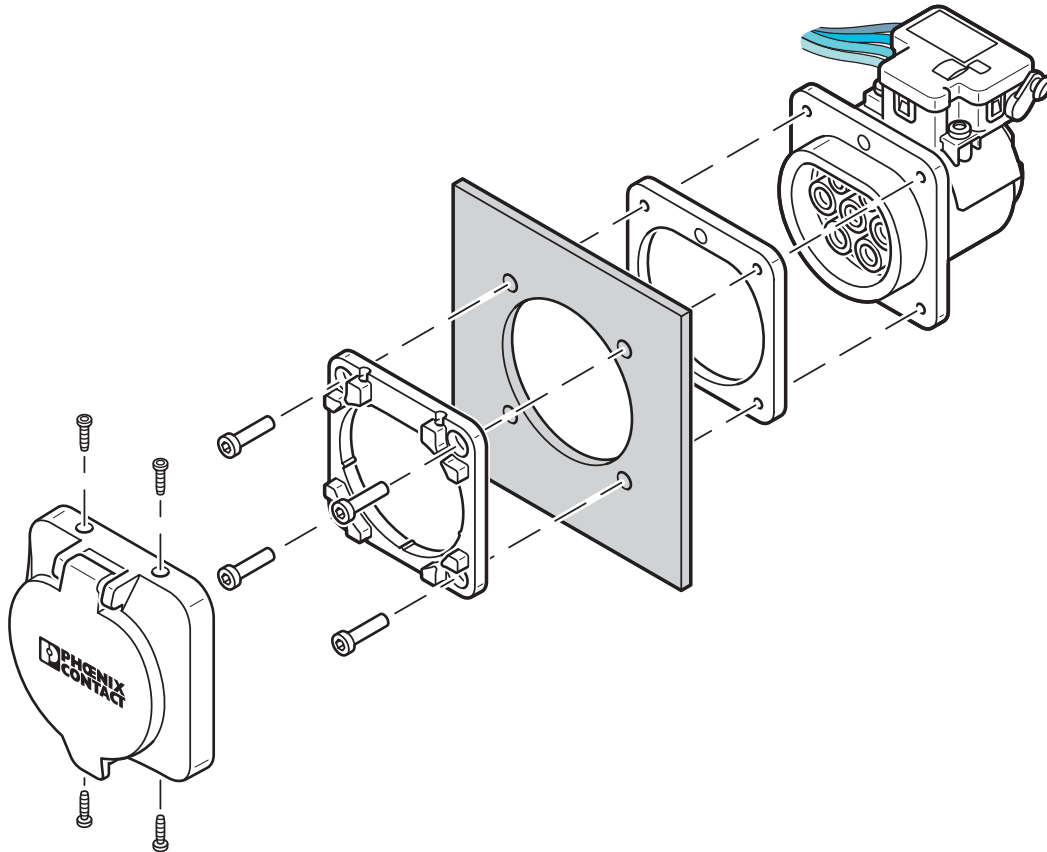
Dimensional drawing

# EV-T2SC-EM - Protective cover

1627635

<https://www.phoenixcontact.com/us/products/1627635>

Schematic diagram



## Rear mounting with front protective cover screw connection

The screw connection for a protective cover (EV-T2SC-EM) from the accessories range only supports front mounting with a corresponding fixing frame (EV-T2SF-EM). The panel thickness must not exceed 5 mm. The sealing frame that is slid on from the rear must contact the housing panel flush with the flat side and must completely surround the infrastructure socket outlet.

# EV-T2SC-EM - Protective cover



1627635

<https://www.phoenixcontact.com/us/products/1627635>

## Classifications

### ECLASS

ECLASS-13.0	27144792
ECLASS-15.0	27144792

### ETIM

ETIM 10.0	EC002884
-----------	----------

### UNSPSC

UNSPSC 21.0	39121500
-------------	----------

# EV-T2SC-EM - Protective cover



1627635

<https://www.phoenixcontact.com/us/products/1627635>

## Environmental product compliance

### EU RoHS

Fulfills EU RoHS substance requirements	Yes, No exemptions
---	--------------------

### China RoHS

Environment friendly use period (EFUP)	EFUP-E
	No hazardous substances above the limits

### EU REACH SVHC

REACH candidate substance (CAS No.)	No substance above 0.1 wt%
-------------------------------------	----------------------------

Phoenix Contact 2026 © - all rights reserved  
<https://www.phoenixcontact.com>

Phoenix Contact USA  
586 Fulling Mill Road  
Middletown, PA 17057, United States  
(+717) 944-1300  
[info@phoenixcon.com](mailto:info@phoenixcon.com)