

EV-T1G3C-1AC20A-4,0M2,5ESBK01 - AC charging cable



1627342

<https://www.phoenixcontact.com/us/products/1627342>

Please be informed that the data shown in this PDF document is generated from our online catalog. Please find the complete data in the user documentation. Our general terms of use for downloads are valid.



CHARX connect comfort, Type 1, AC charging cable, 20 A permanent, 250 V AC, with vehicle charging connector and open cable end, cable: 4 m, black, straight, with protective cap, housing: black, gray, PHOENIX CONTACT logo, IEC 62196-2, SAE J1772, for charging electric vehicles (EV) with alternating current (AC) via type 1 vehicle charging inlets

Product description

AC charging cable with vehicle charging connector and free cable end for charging electric vehicles (EV) with alternating current (AC) via type 1 vehicle charging inlets, for installation at charging stations for e-mobility (EVSE)

Your advantages

- Complete product range
- Convenient handling due to the ergonomic, triple award-winning design
- Available with your logo on request - for consistent branding of your charging station
- Longitudinal water tightness reliably prevents water ingress
- Developed and produced in accordance with the IATF 16949 automotive standard and ISO 9001
- Tested in accordance with automotive standards LV124, LV214, and LV215-2
- Tested in accordance with EV Ready 37 requirements
- Laser-marked mating face in accordance with DIN EN 17186

Commercial data

| | |
|--------------------------------------|---------------|
| Item number | 1627342 |
| Packing unit | 1 pc |
| Minimum order quantity | 1 pc |
| Product key | XWBAAA |
| GTIN | 4055626322247 |
| Weight per piece (including packing) | 817 g |
| Weight per piece (excluding packing) | 817 g |
| Country of origin | PL |

EV-T1G3C-1AC20A-4,0M2,5ESBK01 - AC charging cable



1627342

<https://www.phoenixcontact.com/us/products/1627342>

Technical data

Product properties

| | |
|---------------------|---|
| Product type | AC charging cable |
| Product family | CHARX connect comfort |
| Type | AC charging cable with vehicle charging connector and open cable end |
| Design | with protective cap |
| Charging standard | Type 1 |
| Charging mode | Mode 3, Case C |
| Affixed logo | PHOENIX CONTACT logo |
| Customer variations | On request |

Electrical properties

| | |
|-------------------------------|--|
| Type of signal transmission | Pulse width modulation |
| Note on the connection method | Crimp connection, cannot be disconnected |
| Coding | 480 Ω (Lever actuated) 150 Ω (Lever not actuated) |

Charging power and current (AC charging, 1-phase)

| | |
|--------------------------|-------------------|
| Type of charging current | AC single-phase |
| Charging current | 20 A AC (1-phase) |
| Charging power | 5 kW (1-phase) |
| Rated voltage | 250 V |

Pin assignment (Power contacts)

| | |
|---------------|---------------|
| Number | 3 (L1, N, PE) |
| Rated voltage | 250 V AC |
| Rated current | 20 A |

Pin assignment (Signal contacts)

| | |
|---------------|------------|
| Number | 2 (CP, CS) |
| Rated voltage | 30 V AC |
| Rated current | 2 A |

Dimensions

Vehicle charging connector

| | |
|--------|----------|
| Width | 58 mm |
| Height | 151.1 mm |
| Depth | 236.1 mm |

Material specifications

| | |
|---------------------|--------------|
| Color (Housing) | black (9005) |
| Color (Handle area) | black (9005) |

EV-T1G3C-1AC20A-4,0M2,5ESBK01 - AC charging cable



1627342

<https://www.phoenixcontact.com/us/products/1627342>

| | |
|---------------------------------------|--------------------|
| Color (Actuating element) | silver gray (7001) |
| Color (Mating face) | black (9005) |
| Color (Protective cap) | black (9005) |
| Color (Cable) | black (9005) |
| Material (Vehicle charging connector) | Plastic |
| Material (Cable outer sheath) | TPE-U |
| Material (Contact surface) | Silver |

Cable/line

| | |
|--------------------------------|--|
| Cable length | 4 m |
| Wiring standards/regulations | prEN 50620/DIN EN 50620 |
| Wiring certifications | VDE |
| Cable weight | max. 163.00 kg/km |
| Cable type | Class 5 |
| Cable type | straight |
| Cable structure | 3 x 2.5 mm ² + 1 x 0.5 mm ² |
| External cable diameter | 10.20 mm ±0.3 mm |
| Outer sheath, material | TPE-U |
| Stripping length of the sheath | 70 mm ±5 mm |
| Stripping length | 70 mm ±5 mm |
| Cable resistance | ≤ 0.00798 Ω/m (based on a power core, at an ambient temperature of 20°C) |
| Bending radius | min. 153 mm (15x diameter) |

Mechanical properties

Mechanical data

| | |
|-----------------------------|---------|
| Insertion/withdrawal cycles | > 10000 |
| Insertion force | < 75 N |
| Withdrawal force | < 75 N |

Environmental and real-life conditions

Ambient conditions

| | |
|---|--|
| Degree of protection (Vehicle charging inlet) | IP44 (plugged in; when plugged in and ready to operate, the degree of protection is only ensued if both plug-in components are original products from Phoenix Contact or suitable standard-compliant products) |
| Degree of protection (Protective cap) | IP54 |
| Ambient temperature (operation) | -30 °C ... 50 °C |
| Ambient temperature (storage/transport) | -40 °C ... 80 °C |
| Altitude | 5000 m (above sea level) |

Standards and regulations

Standards

| | |
|-----------------------|-------------|
| Standards/regulations | IEC 62196-2 |
|-----------------------|-------------|

EV-T1G3C-1AC20A-4,0M2,5ESBK01 - AC charging cable



1627342

<https://www.phoenixcontact.com/us/products/1627342>

SAE J1772

EV-T1G3C-1AC20A-4,0M2,5ESBK01 - AC charging cable

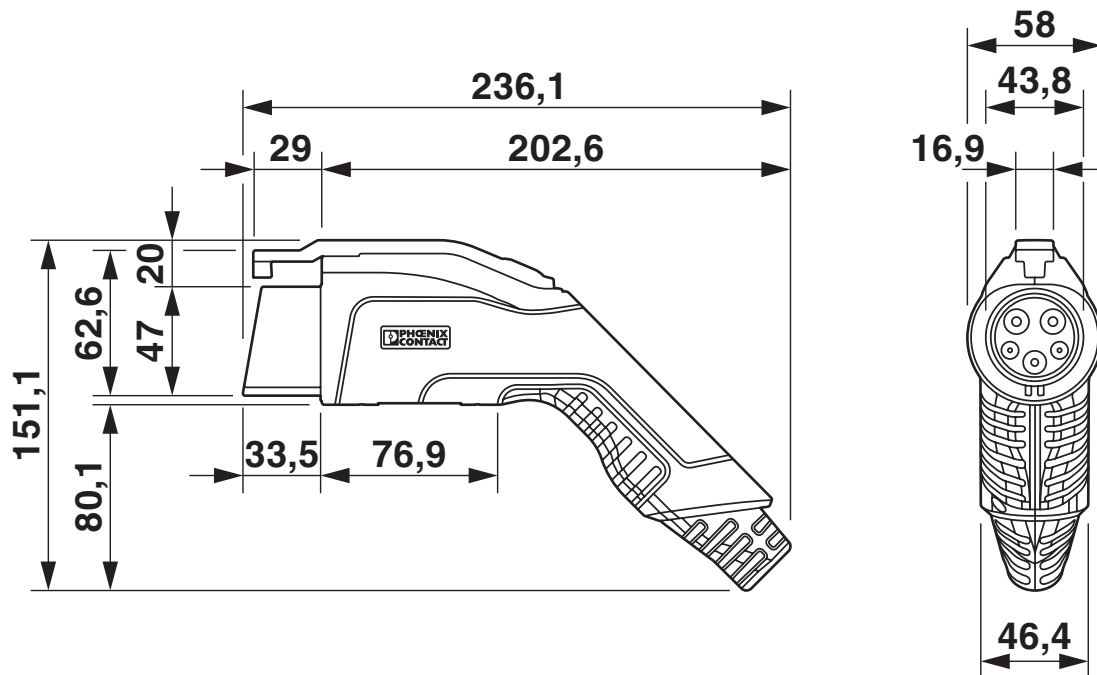


1627342

<https://www.phoenixcontact.com/us/products/1627342>

Drawings

Dimensional drawing



Make sure that the vehicle charging connector is placed in an appropriate charging connector holder, which ensures a minimum protection rating of IP24 in accordance with IEC 61851-1, for the entire time between charging. To create this charging connector holder, use the dimensions of the vehicle charging connector. Detailed dimensions can also be found in the Download area.

Connection diagram



Pin assignment of the Vehicle Connector

EV-T1G3C-1AC20A-4,0M2,5ESBK01 - AC charging cable

1627342

<https://www.phoenixcontact.com/us/products/1627342>

Schematic diagram



Operating instructions

Schematic diagram



Terminology definition

EV-T1G3C-1AC20A-4,0M2,5ESBK01 - AC charging cable



1627342

<https://www.phoenixcontact.com/us/products/1627342>

Classifications

ECLASS

ECLASS-13.0

27144705

ETIM

ETIM 9.0

EC002897

UNSPSC

UNSPSC 21.0

39121500

EV-T1G3C-1AC20A-4,0M2,5ESBK01 - AC charging cable



1627342

<https://www.phoenixcontact.com/us/products/1627342>

Environmental product compliance

EU RoHS

| | |
|---|------|
| Fulfills EU RoHS substance requirements | Yes |
| Exemption | 6(c) |

China RoHS

| | |
|--|---|
| Environment friendly use period (EFUP) | EFUP-10 |
| | An article-related China RoHS declaration table can be found in the download area for the respective article under "Manufacturer declaration". For all articles with EFUP-E, no China RoHS declaration table issued and required. |

EU REACH SVHC

| | |
|-------------------------------------|--------------------------------------|
| REACH candidate substance (CAS No.) | Lead(CAS: 7439-92-1) |
| SCIP | 24ffa6cb-183f-48c7-a4dc-538ec2686bcc |

Phoenix Contact 2026 © - all rights reserved
<https://www.phoenixcontact.com>

Phoenix Contact USA
586 Fulling Mill Road
Middletown, PA 17057, United States
(+717) 944-1300
info@phoenixcon.com