

K-7E-M23MM/3,0-D03/M23 FK - Connector in molded plastic on both sides



1627303

<https://www.phoenixcontact.com/us/products/1627303>

Please be informed that the data shown in this PDF document is generated from our online catalog. Please find the complete data in the user documentation. Our general terms of use for downloads are valid.



Connector in molded plastic on both sides, series: KSF, M23-Pin, number of positions: 4+3+PE, type of locking: Screw locking mechanism, on M23-Socket, angled rotatable, -120° left/120° right, number of positions: 4+3+PE, cable length: 3 m, shielded: yes, color of outer sheath: orange RAL 2003

Commercial data

Item number	1627303
Packing unit	1 pc
Minimum order quantity	1 pc
Note	Made to order (non-returnable)
Product key	ABRDEG
GTIN	4055626297897
Weight per piece (including packing)	948.44 g
Weight per piece (excluding packing)	948.44 g
Country of origin	DE

K-7E-M23MM/3,0-D03/M23 FK - Connector in molded plastic on both sides



1627303

<https://www.phoenixcontact.com/us/products/1627303>

Technical data

Product properties

Product type	Signal and power cable
--------------	------------------------

Connector

Connector specifications

Thread type	M23
Type of locking	Screw locking mechanism
Degree of protection	IP67, when in locked state
No. of pos.	4+3+PE
Direction of rotation	Standard
Contact switching type	Pin
Insertion/withdrawal cycles	100
Contact resistance	< 0.3 mΩ
Voltage	630 V
Overvoltage category	III
Degree of pollution	3
Rated surge voltage	6 kV
Ambient temperature (operation)	-40 °C ... 105 °C

Connector specifications (second page)

Type	angled rotatable, -120° left/120° right
Thread type	M23
Type of locking	Screw locking mechanism
Degree of protection	IP67, when in locked state
No. of pos.	4+3+PE
Direction of rotation	Standard
Contact switching type	Socket
Insertion/withdrawal cycles	100
Contact resistance	< 0.3 mΩ
Voltage	630 V
Overvoltage category	III
Degree of pollution	3
Rated surge voltage	6 kV
Ambient temperature (operation)	-40 °C ... 105 °C

Cable/line

Cable length	3 m
--------------	-----

Cable specifications

Cable type	PSLC11Y-J
------------	-----------

K-7E-M23MM/3,0-D03/M23 FK - Connector in molded plastic on both sides



1627303

<https://www.phoenixcontact.com/us/products/1627303>

Shielded	yes
Cable structure	4 x 2.5 mm ² + 2 x 2 x 1.0 mm ² StC
External cable diameter	13.50 mm ±0.4 mm
Outer sheath, material	PUR
Material wire insulation	TPM
External sheath, color	orange RAL 2003
Nominal voltage, cable	1000 V
Test voltage	4 kV (2 kV signal)
Smallest bending radius, movable installation	135 mm
Max. bending cycles	10000000
Bending radius	135 mm
Traversing path	6 m
Acceleration	5 m/s ²
Ambient temperature (operation) for fixed installation	-40 °C ... 80 °C
Ambient temperature (operation) for flexible installation	-20 °C ... 60 °C
Special properties	Flexible cable conduit capable
Flame resistance	IEC 332-1
Halogen-free	DIN VDE 0472

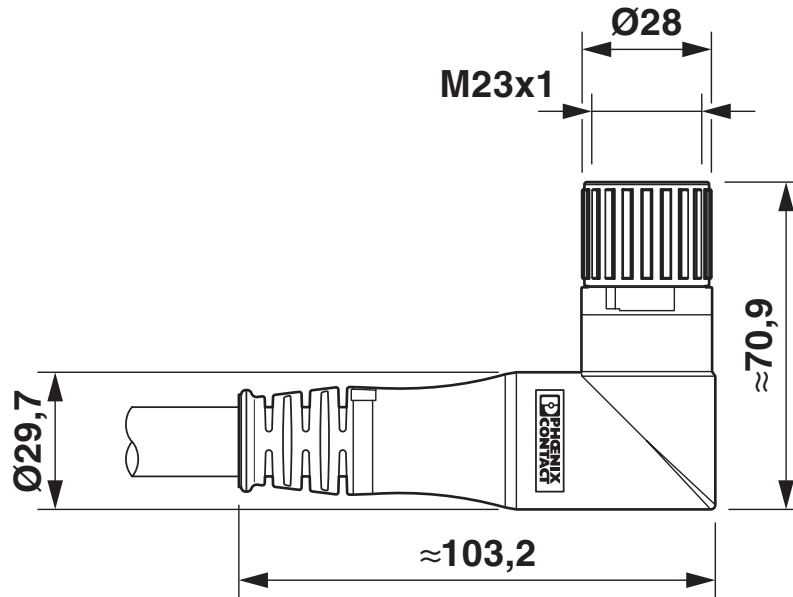
K-7E-M23MM/3,0-D03/M23 FK - Connector in molded plastic on both sides

1627303

<https://www.phoenixcontact.com/us/products/1627303>

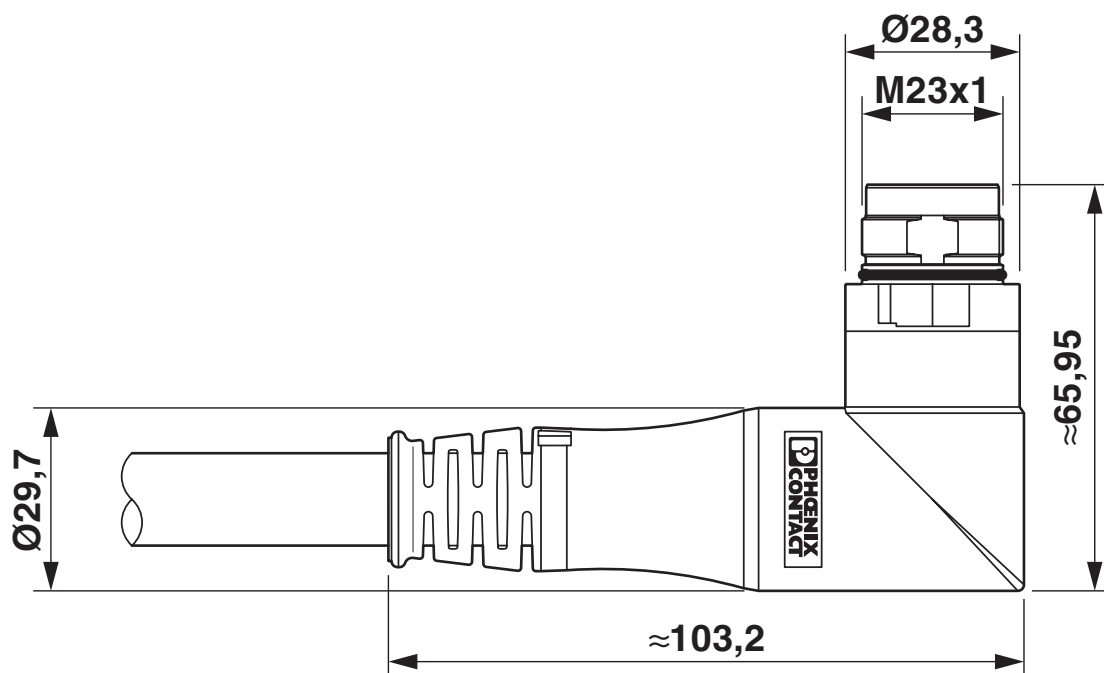
Drawings

Dimensional drawing



On the female side

Dimensional drawing



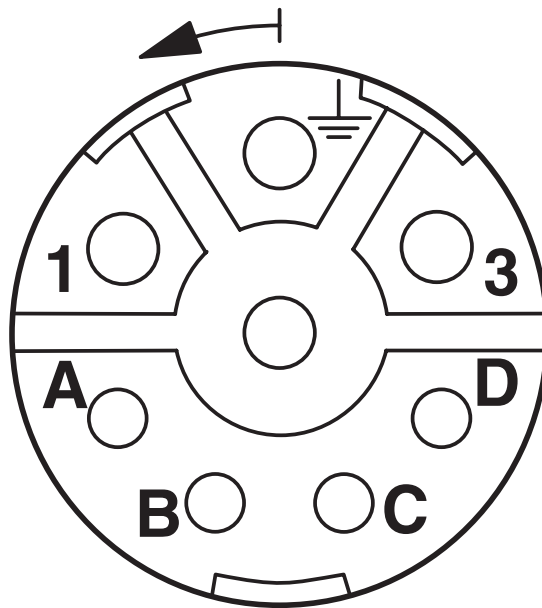
Pin side

K-7E-M23MM/3,0-D03/M23 FK - Connector in molded plastic on both sides

1627303

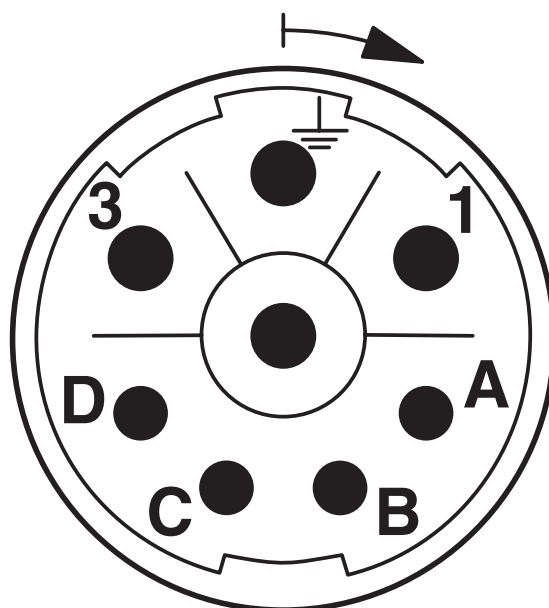
<https://www.phoenixcontact.com/us/products/1627303>

Schematic diagram



Socket pin assignment

Schematic diagram



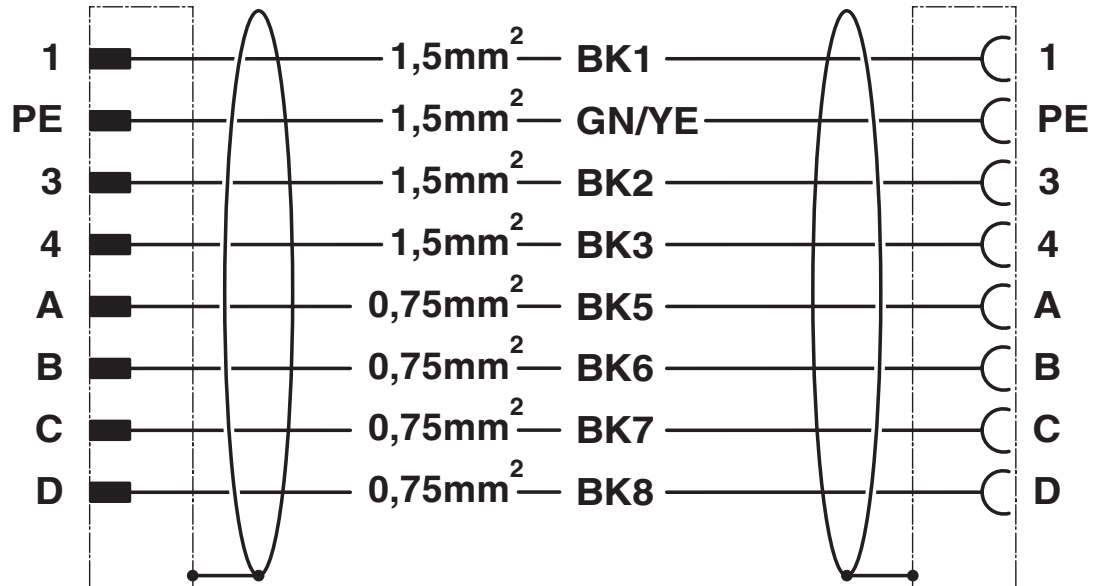
Pin assignment of pin

K-7E-M23MM/3,0-D03/M23 FK - Connector in molded plastic on both sides

1627303

<https://www.phoenixcontact.com/us/products/1627303>

Circuit diagram



Contact assignment of M23 plugs/sockets

K-7E-M23MM/3,0-D03/M23 FK - Connector in molded plastic on both sides



1627303

<https://www.phoenixcontact.com/us/products/1627303>

Environmental product compliance

China RoHS

Environment friendly use period (EFUP)	EFUP-50
	An article-related China RoHS declaration table can be found in the download area for the respective article under "Manufacturer declaration". For all articles with EFUP-E, no China RoHS declaration table issued and required.

EU REACH SVHC

REACH candidate substance (CAS No.)	No substance above 0.1 wt%
-------------------------------------	----------------------------

Phoenix Contact 2026 © - all rights reserved
<https://www.phoenixcontact.com>

Phoenix Contact USA
586 Fulling Mill Road
Middletown, PA 17057, United States
(+717) 944-1300
info@phoenixcon.com