

SF-7EP1N8AC0A5 - Rear panel feed-through



1627037

<https://www.phoenixcontact.com/us/products/1627037>

Please be informed that the data shown in this PDF document is generated from our online catalog. Please find the complete data in the user documentation. Our general terms of use for downloads are valid.



Rear panel feed-through, application: Power, straight, Screw locking mechanism, M23, number of positions: 4+3+PE, contact connection type: Pin, Axial O-ring, 4xM3, shielded: yes, cable diameter range: 5.5 mm ... 8.5 mm, number of positions: 8, connection method: Crimp connection, series: SF

Your advantages

- Consistent EMC protection for reliable connection solutions in the industrial environment
- Crimping connection: vibration- and temperature-resistant assembly
- Flexible use: reliably connect various cable diameters

Commercial data

Item number	1627037
Packing unit	1 pc
Minimum order quantity	1 pc
Note	Made to order (non-returnable)
Product key	ABRBFJ
GTIN	4055626289779
Weight per piece (including packing)	22.22 g
Weight per piece (excluding packing)	22.22 g
Country of origin	DE

SF-7EP1N8AC0A5 - Rear panel feed-through



1627037

<https://www.phoenixcontact.com/us/products/1627037>

Technical data

Notes

Order information:	Order crimp contacts 4 x Ø 1 mm, 4 x Ø 2 mm separately
--------------------	--

Product properties

Product type	Circular connectors (device side)
Series	SF
Application	Power
Number of positions	8
Connection profile	4+3+PE
Shielded	yes
Coding	N
Thread type	M23

Material specifications

Seal material	FPM
Housing material	Metal

Electrical properties

Contact: Contact group 1

Contact diameter	2 mm
Nominal current I_N	30 A
Nominal voltage U_N	630 V
Overvoltage category	III
Degree of pollution	3
Rated surge voltage	6 kV

Contact: Contact group 2

Contact diameter	1 mm
Nominal current I_N	9 A
Nominal voltage U_N	630 V
Overvoltage category	III
Degree of pollution	3

Connection data

Conductor connection

Connection method	Crimp connection
Contact connection type	Pin

Connector

Type	straight
------	----------

SF-7EP1N8AC0A5 - Rear panel feed-through



1627037

<https://www.phoenixcontact.com/us/products/1627037>

Cable/line

External cable diameter	5.5 mm ... 8.5 mm
-------------------------	-------------------

Environmental and real-life conditions

Ambient conditions

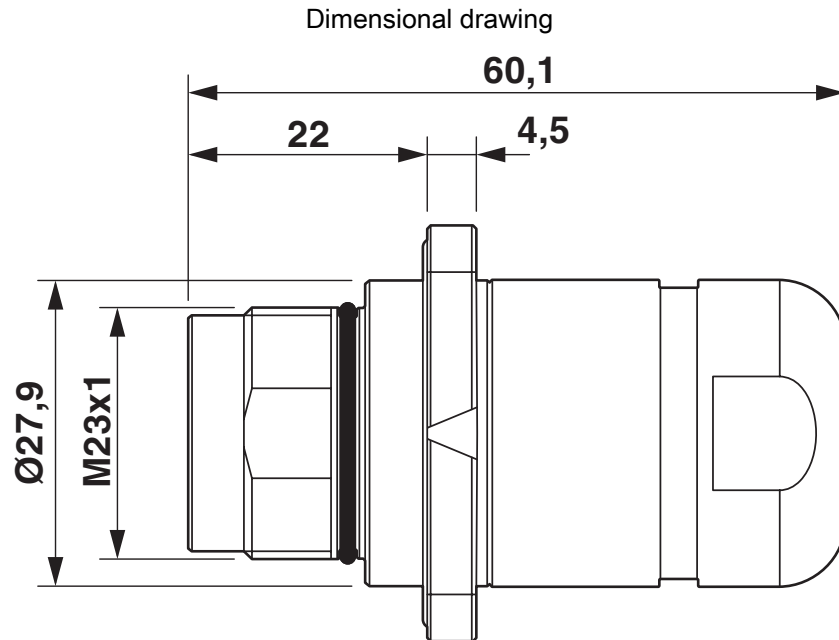
Degree of protection	IP67
Ambient temperature (operation)	-40 °C ... 125 °C
Altitude	3000 m

SF-7EP1N8AC0A5 - Rear panel feed-through

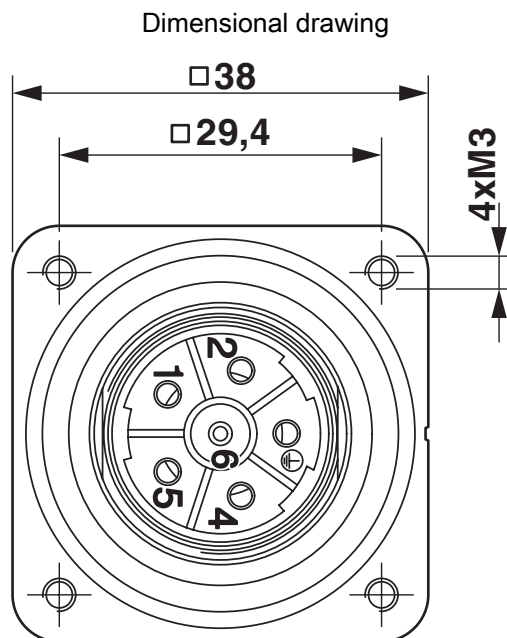
1627037

<https://www.phoenixcontact.com/us/products/1627037>

Drawings



Dimensional drawing



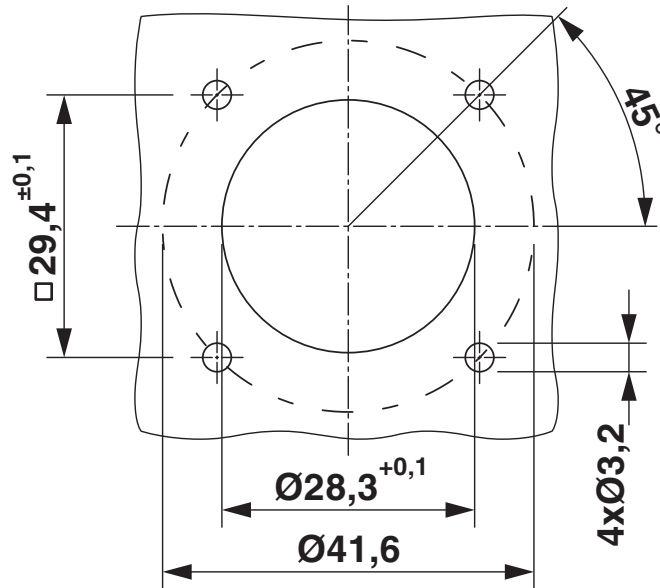
Flange dimensions (Figure shows the 6-pos. version)

SF-7EP1N8AC0A5 - Rear panel feed-through

1627037

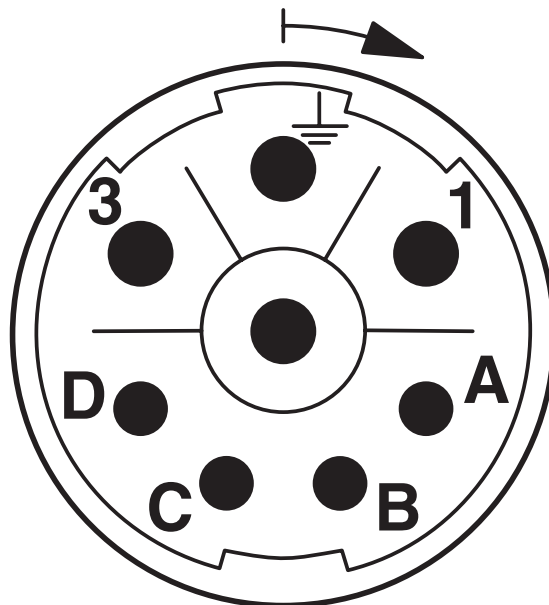
<https://www.phoenixcontact.com/us/products/1627037>

Dimensional drawing



Installation dimensions

Schematic diagram



Connector pin assignment

SF-7EP1N8AC0A5 - Rear panel feed-through



1627037

<https://www.phoenixcontact.com/us/products/1627037>

Environmental product compliance

China RoHS

Environment friendly use period (EFUP)	EFUP-50
	An article-related China RoHS declaration table can be found in the download area for the respective article under "Manufacturer declaration". For all articles with EFUP-E, no China RoHS declaration table issued and required.

EU REACH SVHC

REACH candidate substance (CAS No.)	No substance above 0.1 wt%
-------------------------------------	----------------------------

Phoenix Contact 2026 © - all rights reserved
<https://www.phoenixcontact.com>

Phoenix Contact USA
586 Fulling Mill Road
Middletown, PA 17057, United States
(+717) 944-1300
info@phoenixcon.com