

SF-5EP1N8AC0A5 - Rear panel feed-through



1627036

<https://www.phoenixcontact.com/us/products/1627036>

Please be informed that the data shown in this PDF document is generated from our online catalog. Please find the complete data in the user documentation. Our general terms of use for downloads are valid.



Rear panel feed-through, application: Power, straight, Screw locking mechanism, M23, number of positions: 5+PE, contact connection type: Pin, Axial O-ring, 4xM3, shielded: yes, cable diameter range: 5.5 mm ... 8.5 mm, number of positions: 6, connection method: Crimp connection, series: SF

The figure shows the 8-pos.
(4+3+PE) product version

Your advantages

- Consistent EMC protection for reliable connection solutions in the industrial environment
- Crimping connection: vibration- and temperature-resistant assembly
- Flexible use: reliably connect various cable diameters

Commercial data

| | |
|--------------------------------------|--------------------------------|
| Item number | 1627036 |
| Packing unit | 1 pc |
| Minimum order quantity | 1 pc |
| Note | Made to order (non-returnable) |
| Product key | ABRBFJ |
| GTIN | 4055626289762 |
| Weight per piece (including packing) | 22.22 g |
| Weight per piece (excluding packing) | 22.22 g |
| Country of origin | DE |

SF-5EP1N8AC0A5 - Rear panel feed-through



1627036

<https://www.phoenixcontact.com/us/products/1627036>

Technical data

Notes

| | |
|--------------------|--|
| Order information: | Order crimp contacts 6 x Ø 2 mm separately |
|--------------------|--|

Product properties

| | |
|---------------------|-----------------------------------|
| Product type | Circular connectors (device side) |
| Series | SF |
| Application | Power |
| Number of positions | 6 |
| Connection profile | 5+PE |
| Shielded | yes |
| Coding | N |
| Thread type | M23 |

Material specifications

| | |
|------------------|-------|
| Seal material | FPM |
| Housing material | Metal |

Electrical properties

Contact: Contact group 1

| | |
|-----------------------|-------|
| Contact diameter | 2 mm |
| Nominal current I_N | 30 A |
| Nominal voltage U_N | 630 V |
| Overvoltage category | III |
| Degree of pollution | 3 |
| Rated surge voltage | 6 kV |

Contact: Contact group 2

| | |
|-----------------------|-------|
| Contact diameter | 2 mm |
| Nominal current I_N | 30 A |
| Nominal voltage U_N | 630 V |
| Overvoltage category | III |
| Degree of pollution | 3 |
| Rated surge voltage | 6 kV |

Connection data

Conductor connection

| | |
|-------------------------|------------------|
| Connection method | Crimp connection |
| Contact connection type | Pin |

Connector

| | |
|------|----------|
| Type | straight |
|------|----------|

SF-5EP1N8AC0A5 - Rear panel feed-through



1627036

<https://www.phoenixcontact.com/us/products/1627036>

Cable/line

| | |
|-------------------------|-------------------|
| External cable diameter | 5.5 mm ... 8.5 mm |
|-------------------------|-------------------|

Environmental and real-life conditions

Ambient conditions

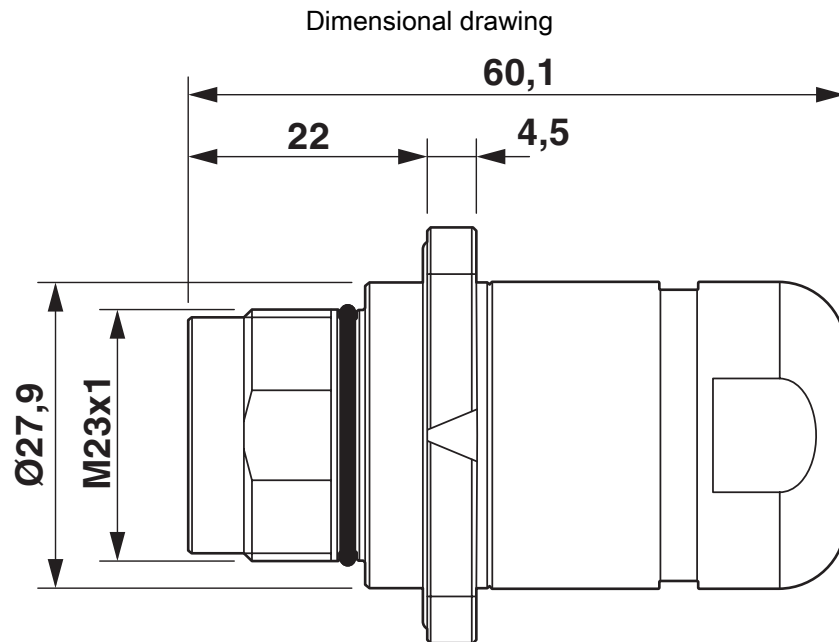
| | |
|---------------------------------|-------------------|
| Degree of protection | IP67 |
| Ambient temperature (operation) | -40 °C ... 125 °C |
| Altitude | 3000 m |

SF-5EP1N8AC0A5 - Rear panel feed-through

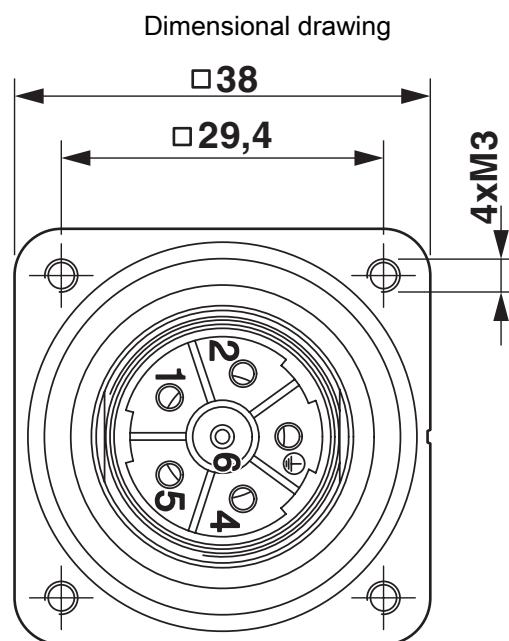
1627036

<https://www.phoenixcontact.com/us/products/1627036>

Drawings



Dimensional drawing



Flange dimensions

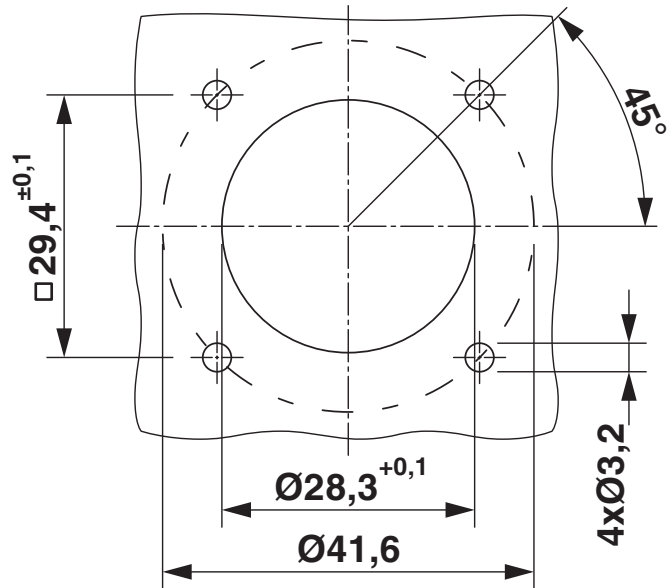
SF-5EP1N8AC0A5 - Rear panel feed-through

1627036

<https://www.phoenixcontact.com/us/products/1627036>

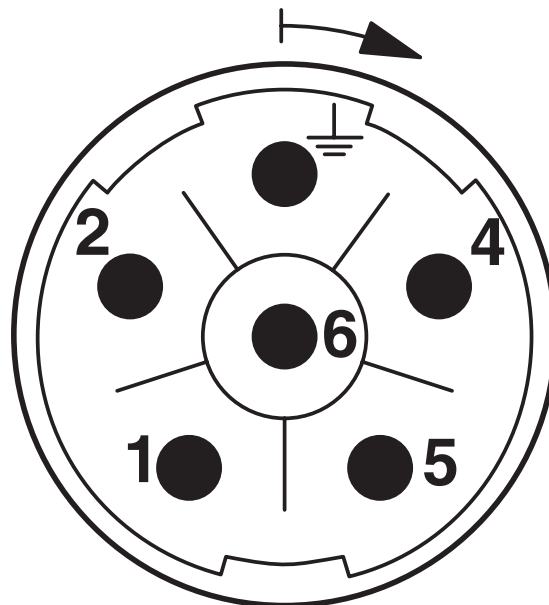


Dimensional drawing



Installation dimensions

Schematic diagram



Connector pin assignment

SF-5EP1N8AC0A5 - Rear panel feed-through



1627036

<https://www.phoenixcontact.com/us/products/1627036>

Diagram



SF-5EP1N8AC0A5 - Rear panel feed-through



1627036

<https://www.phoenixcontact.com/us/products/1627036>

Environmental product compliance

China RoHS

| | |
|--|---|
| Environment friendly use period (EFUP) | EFUP-50 |
| | An article-related China RoHS declaration table can be found in the download area for the respective article under "Manufacturer declaration". For all articles with EFUP-E, no China RoHS declaration table issued and required. |

EU REACH SVHC

| | |
|-------------------------------------|----------------------------|
| REACH candidate substance (CAS No.) | No substance above 0.1 wt% |
|-------------------------------------|----------------------------|

Phoenix Contact 2026 © - all rights reserved
<https://www.phoenixcontact.com>

Phoenix Contact USA
586 Fulling Mill Road
Middletown, PA 17057, United States
(+717) 944-1300
info@phoenixcon.com