

# RC-12P1N12224T - Device connector front mounting



1625853

<https://www.phoenixcontact.com/us/products/1625853>

Please be informed that the data shown in this PDF document is generated from our online catalog. Please find the complete data in the user documentation. Our general terms of use for downloads are valid.



M23, Device connector front mounting, application: Signal, series: RC, straight, shielded: yes, Screw locking mechanism, No. of pos.: 12, Direction of rotation: Standard, contact connection type: Pin, Solder cup, Flat gasket, flange dimensions: 25 mm x 25 mm, Panel thickness min.: 1 mm, coding: N

## Commercial data

|                                      |                                |
|--------------------------------------|--------------------------------|
| Item number                          | 1625853                        |
| Packing unit                         | 40 pc                          |
| Minimum order quantity               | 1 pc                           |
| Note                                 | Made to order (non-returnable) |
| Product key                          | ABRAFL                         |
| GTIN                                 | 4046356872478                  |
| Weight per piece (including packing) | 22.22 g                        |
| Weight per piece (excluding packing) | 22.22 g                        |
| Country of origin                    | DE                             |

# RC-12P1N12224T - Device connector front mounting



1625853

<https://www.phoenixcontact.com/us/products/1625853>

## Technical data

### Product properties

|              |                                   |
|--------------|-----------------------------------|
| Product type | Circular connectors (device side) |
|--------------|-----------------------------------|

### Connector

#### Insulating body

|   |   |
|---|---|
| Coding  | N                                       |
| Material (Insulating body)                      | PBT                                     |
| Material (Contact)                              | CuZn                                    |
| Material (Contact surface)                      | Ni/Au                                   |
| Insertion/withdrawal cycles                     | 100                                     |
| Connection method                               | Solder cup                              |
| Contact switching type                          | Pin                                     |
| Application                                     | Signal                                  |
| Number of positions                             | 12                                      |
| Direction of rotation                           | Standard                                |
| Connection profile                              | 12                                      |
| Number (Contact group 1)                        | 12                                      |
| Contact diameter (Contact group 1)              | 1 mm                                    |
| Litz wires Min. cross section (Contact group 1) | 0.08 mm <sup>2</sup>                    |
| Litz wires Max. cross section (Contact group 1) | 1 mm <sup>2</sup>                       |
| Rated current Contact (Contact group 1)         | 8 A (for max. connection cross section) |
| Rated voltage Contact (Contact group 1)         | 48 V AC<br>74 V DC                      |
| Rated surge voltage                             | 1.5 kV                                  |
| Overvoltage category                            | III                                     |
| Degree of pollution                             | 3                                       |

#### Housing

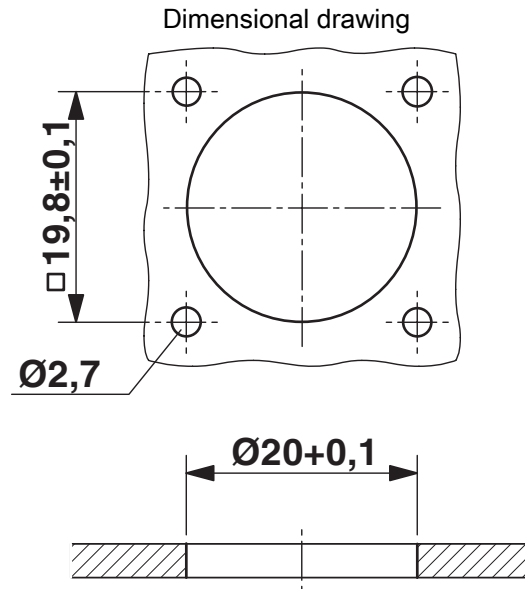
|                                   |  |
|-----------------------------------|--|
| Type                              | Flange housing                             |
| Thread type                       | M23  |
| Design                            | straight                                   |
| Type of locking                   | Screw locking mechanism                    |
| Pg screw connection               | none                                       |
| Mounting type                     | Front mounting/square flange (4x Ø 2.7 mm) |
| Flange dimensions                 | 25 mm x 25 mm                              |
| Material (Housing)                | GD-Zn                                      |
| Material (Housing surface)        | Ni   |
| Material (Rotating parts)         | CuZn                                       |
| Degree of protection (plugged in) | IP67                                       |
| Seal for the device               | Flat gasket                                |

# RC-12P1N12224T - Device connector front mounting

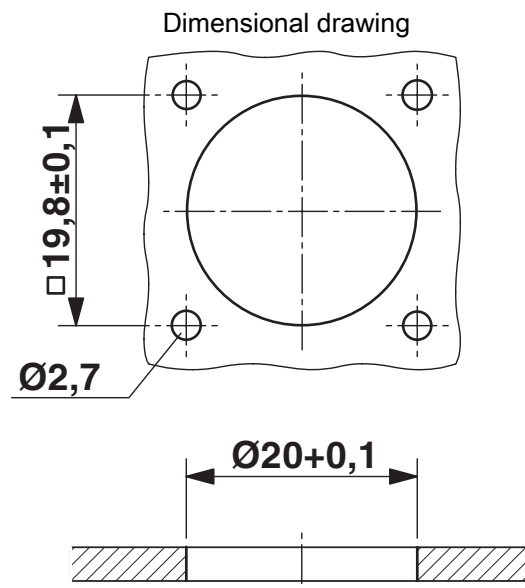
1625853

<https://www.phoenixcontact.com/us/products/1625853>

## Drawings



## Installation dimensions



## Installation dimensions

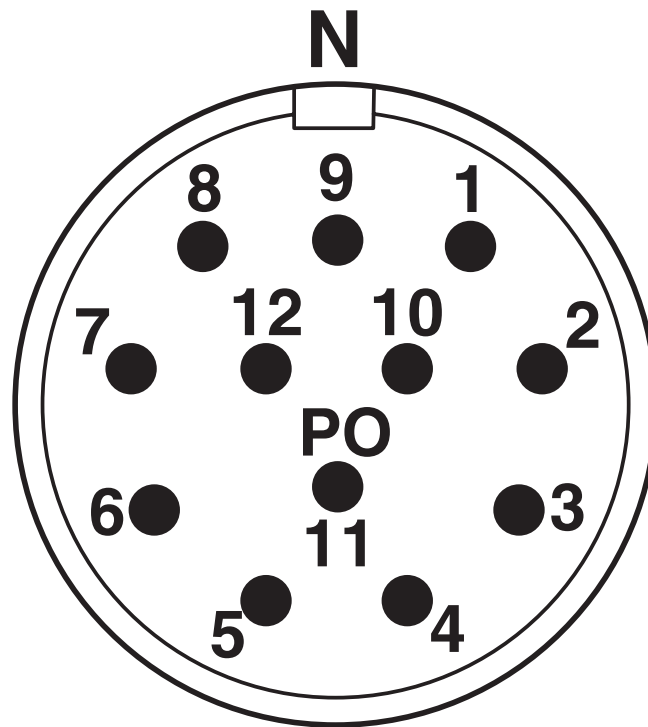
# RC-12P1N12224T - Device connector front mounting



1625853

<https://www.phoenixcontact.com/us/products/1625853>

Schematic diagram



Connector pin assignment

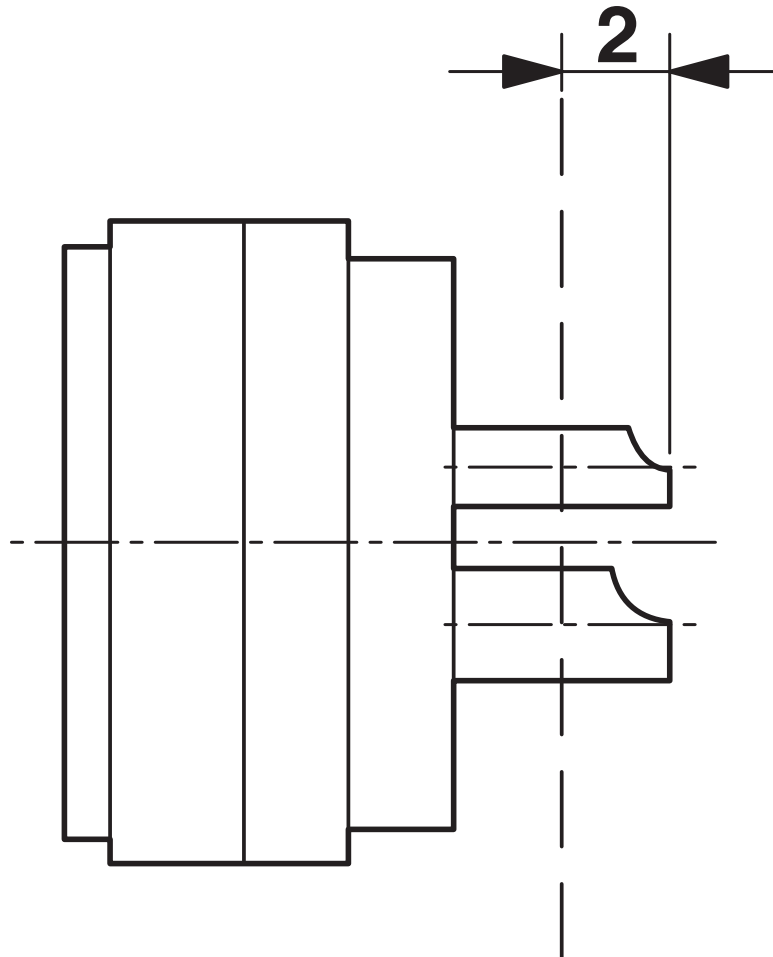
# RC-12P1N12224T - Device connector front mounting



1625853

<https://www.phoenixcontact.com/us/products/1625853>

Schematic diagram



Dimensional drawing

Phoenix Contact 2026 © - all rights reserved  
<https://www.phoenixcontact.com>

Phoenix Contact USA  
586 Fulling Mill Road  
Middletown, PA 17057, United States  
(+717) 944-1300  
[info@phoenixcon.com](mailto:info@phoenixcon.com)