

RC-09P1N324200 - Device connector rear mounting



1624747

<https://www.phoenixcontact.com/us/products/1624747>

Please be informed that the data shown in this PDF document is generated from our online catalog. Please find the complete data in the user documentation. Our general terms of use for downloads are valid.



The figure shows the 12-pos.
product version

M23, Device connector rear mounting, application: Signal, series: RC, straight, shielded: yes, Screw locking mechanism, No. of pos.: 8+1, Direction of rotation: Standard, contact connection type: Pin, Solder-in connection, Radial O-ring, Panel thickness min.: 2.7 mm, Panel thickness max.: 3.5 mm, coding: N

Commercial data

Item number	1624747
Packing unit	20 pc
Minimum order quantity	1 pc
Note	Made to order (non-returnable)
Product key	ABRAFR
GTIN	4046356877626
Weight per piece (including packing)	36.11 g
Weight per piece (excluding packing)	33.8 g
Country of origin	DE

1624747

<https://www.phoenixcontact.com/us/products/1624747>

Technical data

Product properties

Product type	Circular connectors (device side)
--------------	-----------------------------------

Connector

Insulating body

Coding	N
Material (Insulating body)	PBT
Material (Contact)	CuZn
Material (Contact surface)	Ni/Au
Insertion/withdrawal cycles	50
Connection method	Solder-in connection
Contact switching type	Pin
Application	Signal
Number of positions	9
Direction of rotation	Standard
Connection profile	8+1
Number (Contact group 1)	1
Contact diameter (Contact group 1)	2 mm
Rated current Contact (Contact group 1)	20 A (for max. connection cross section)
Rated voltage Contact (Contact group 1)	48 V AC 74 V DC
Rated surge voltage	1.5 kV
Overvoltage category	III
Degree of pollution	3
Number (Contact group 2)	8
Contact diameter (Contact group 2)	1 mm
Rated current Contact (Contact group 2)	8 A
Rated voltage Contact (Contact group 2)	48 V AC 48 V AC

Housing

Type	Flange housing
Thread type	M23
Design	straight
Type of locking	Screw locking mechanism
Pg screw connection	none
Mounting type	Rear mounting/square flange (4x M2,5)
Material (Housing)	GD-Zn
Material (Housing surface)	Ni
Material (Rotating parts)	CuZn
Degree of protection (plugged in)	IP67

RC-09P1N324200 - Device connector rear mounting



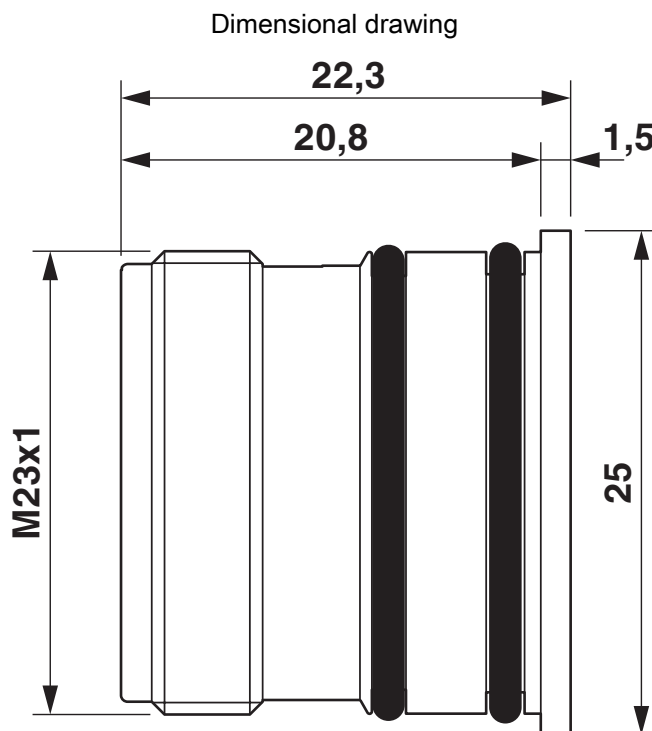
1624747

<https://www.phoenixcontact.com/us/products/1624747>

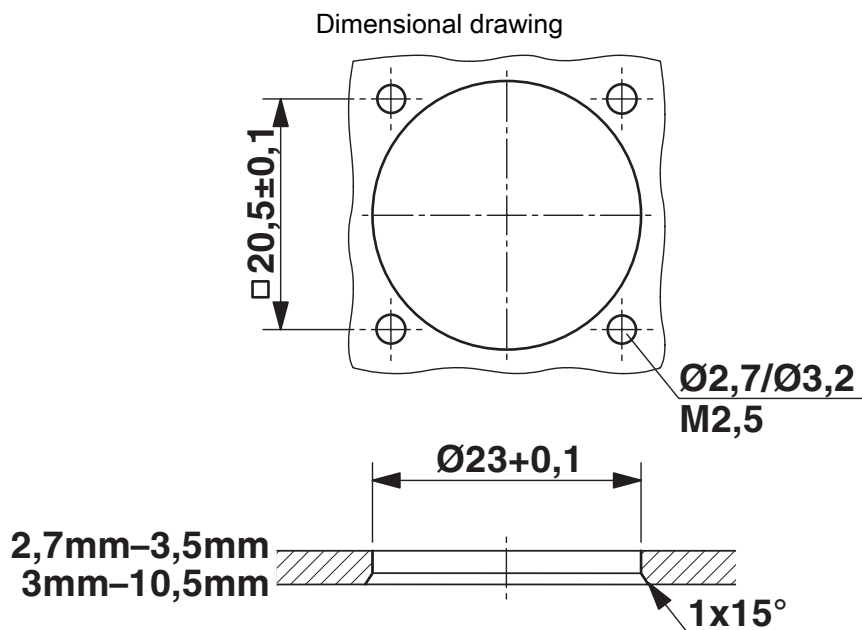
Seal for the device

Radial O-ring

Drawings



Dimensional drawing

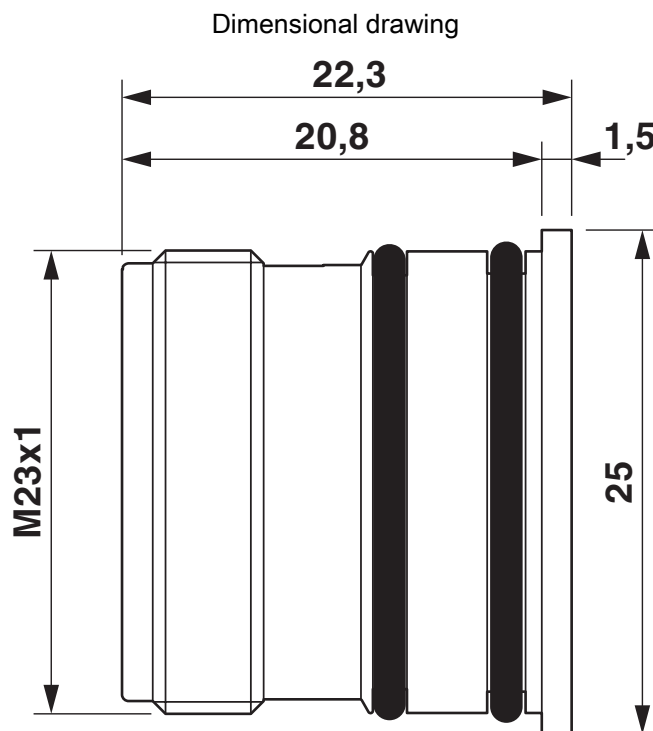
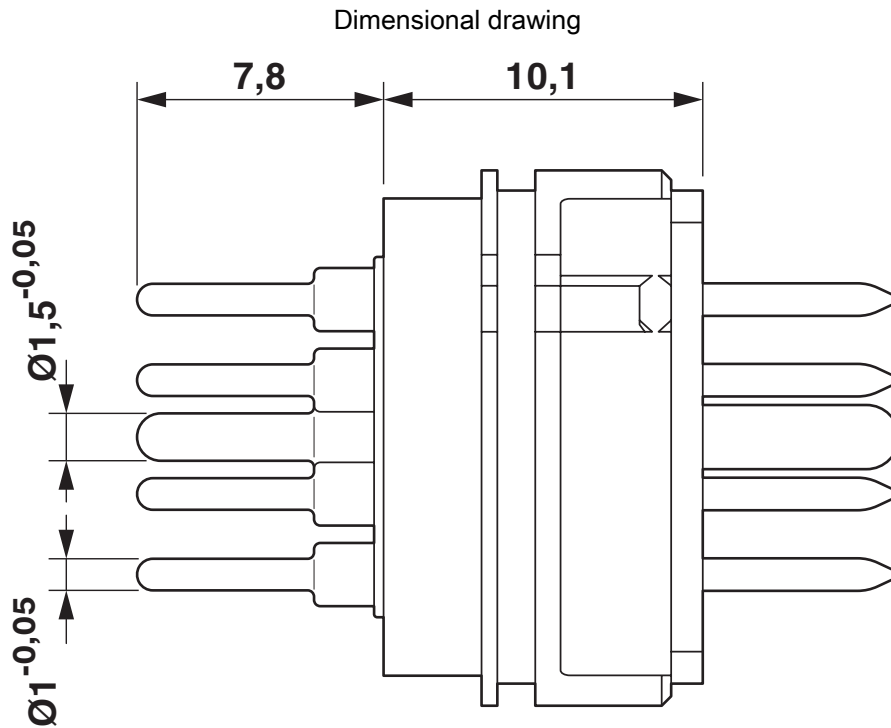


Installation dimensions

RC-09P1N324200 - Device connector rear mounting

1624747

<https://www.phoenixcontact.com/us/products/1624747>

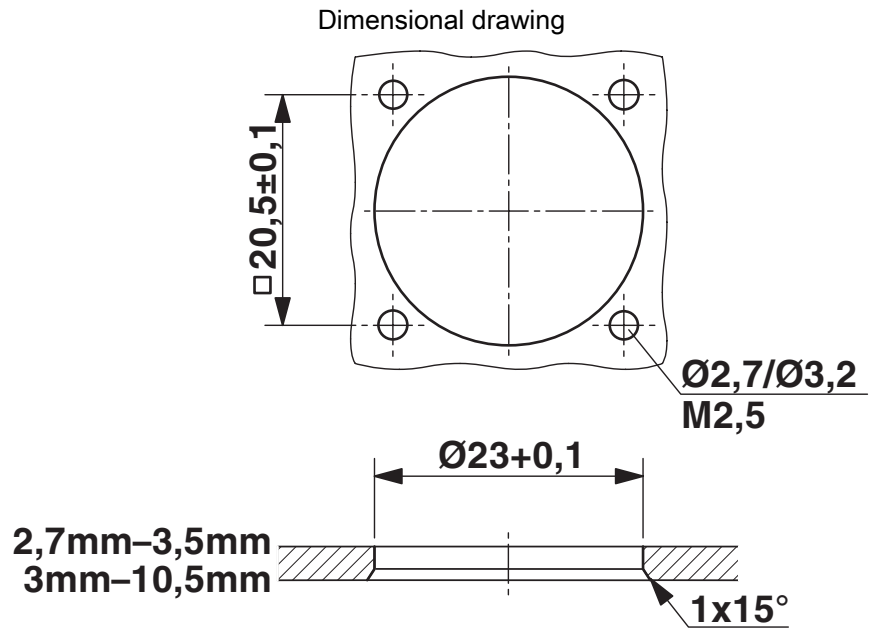


Dimensional drawing

RC-09P1N324200 - Device connector rear mounting

1624747

<https://www.phoenixcontact.com/us/products/1624747>

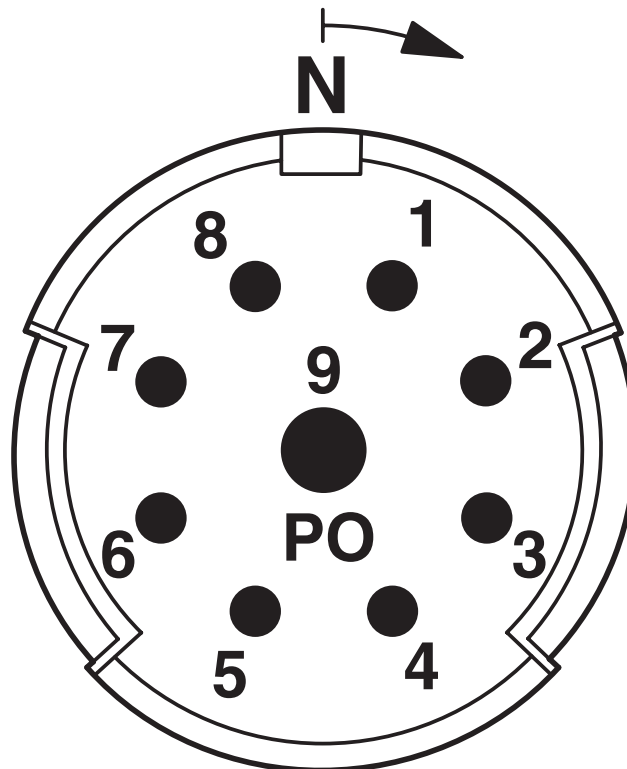


Installation dimensions

1624747

<https://www.phoenixcontact.com/us/products/1624747>

Schematic diagram



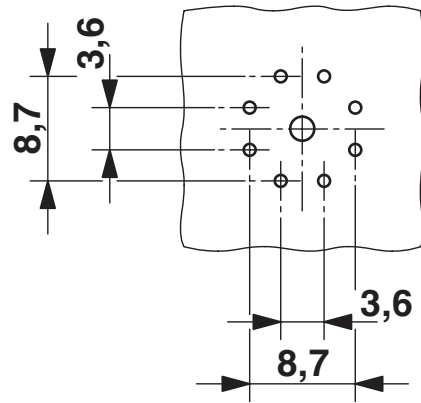
Connector pin assignment

RC-09P1N324200 - Device connector rear mounting

1624747

<https://www.phoenixcontact.com/us/products/1624747>

Drilling plan/solder pad geometry



RC-09P1N324200 - Device connector rear mounting



1624747

<https://www.phoenixcontact.com/us/products/1624747>

Classifications

UNSPSC

UNSPSC 21.0	39121400
-------------	----------

1624747

<https://www.phoenixcontact.com/us/products/1624747>

Environmental product compliance

EU RoHS

Fulfills EU RoHS substance requirements	Yes
Exemption	6(c)

China RoHS

Environment friendly use period (EFUP)	EFUP-50
	An article-related China RoHS declaration table can be found in the download area for the respective article under "Manufacturer declaration". For all articles with EFUP-E, no China RoHS declaration table issued and required.

EU REACH SVHC

REACH candidate substance (CAS No.)	Lead(CAS: 7439-92-1)
-------------------------------------	----------------------

Phoenix Contact 2026 © - all rights reserved
<https://www.phoenixcontact.com>

Phoenix Contact USA
586 Fulling Mill Road
Middletown, PA 17057, United States
(+717) 944-1300
info@phoenixcon.com