

# CA-16P1N8A6L00 - Device connector front mounting



1624027

<https://www.phoenixcontact.com/us/products/1624027>

Please be informed that the data shown in this PDF document is generated from our online catalog. Please find the complete data in the user documentation. Our general terms of use for downloads are valid.



The figure shows the 12-pos. product version with solder contacts

M23, Device connector front mounting, application: Signal, series: CA, straight, shielded: yes, for standard and SPEEDCON interlock, No. of pos.: 16, Direction of rotation: Standard, contact connection type: Pin, Crimp connection, Axial seal, coding: N. This product is in the process of being discontinued. This product must no longer be considered for new projects. Please contact your sales representative for alternatives.

## Your advantages

- Safe use in the field, thanks to high degree of protection
- Connector for flexible on-site assembly
- Consistent EMC protection for reliable transmission of signals
- Crimping connection: vibration- and temperature-resistant assembly

## Commercial data

Item number	1624027
Packing unit	1 pc
Minimum order quantity	1 pc
Note	Made to order (non-returnable)
Sales key	AB31
Product key	ABRAEL
GTIN	4055626227351
Weight per piece (including packing)	33 g
Weight per piece (excluding packing)	28.939 g
Customs tariff number	85366990
Country of origin	DE

1624027

<https://www.phoenixcontact.com/us/products/1624027>

## Technical data

### Notes

Order information:	Order 16 x Ø 1 mm crimp contacts separately
--------------------	---

### Product properties

Product type	Circular connectors (device side)
--------------	-----------------------------------

### Material specifications

Flammability rating according to UL 94	V0
--	----

### Connector

#### Insulating body

Note	Order information: Order crimp contacts Ø 1 mm separately
Coding	N
Material (Insulating body)	PA 6.6
Connection method	Crimp connection
Contact switching type	Pin
Application	Signal
Number of positions	16
Direction of rotation	Standard
Connection profile	16
Number (Signal contacts)	16
Contact diameter (Signal contacts)	1 mm
Litz wires Min. cross section (Signal contacts)	0.08 mm <sup>2</sup>
Litz wires Max. cross section (Signal contacts)	1 mm <sup>2</sup>
Rated current Contact (Signal contacts)	8 A (for max. connection cross section)
Rated voltage Contact (Signal contacts)	48 V AC 74 V DC
Rated surge voltage	1.5 kV
Overvoltage category	III
Degree of pollution	3

#### Housing

Thread type	M23
Design	straight
Type of locking	for standard and SPEEDCON interlock
Pg screw connection	none
Mounting type	Front mounting (M20 x 1,5)
Assembly note	Central fastening
Housing material	Turned parts: copper zinc alloy (CuZn), die-cast parts: zinc (GD-Zn)
Degree of protection (plugged in)	IP67
Seal for the device	Axial seal

# CA-16P1N8A6L00 - Device connector front mounting



1624027

<https://www.phoenixcontact.com/us/products/1624027>

## Environmental and real-life conditions

### Ambient conditions

Permissible humidity (storage/transport)
--

50 % ... 65 %
---------------

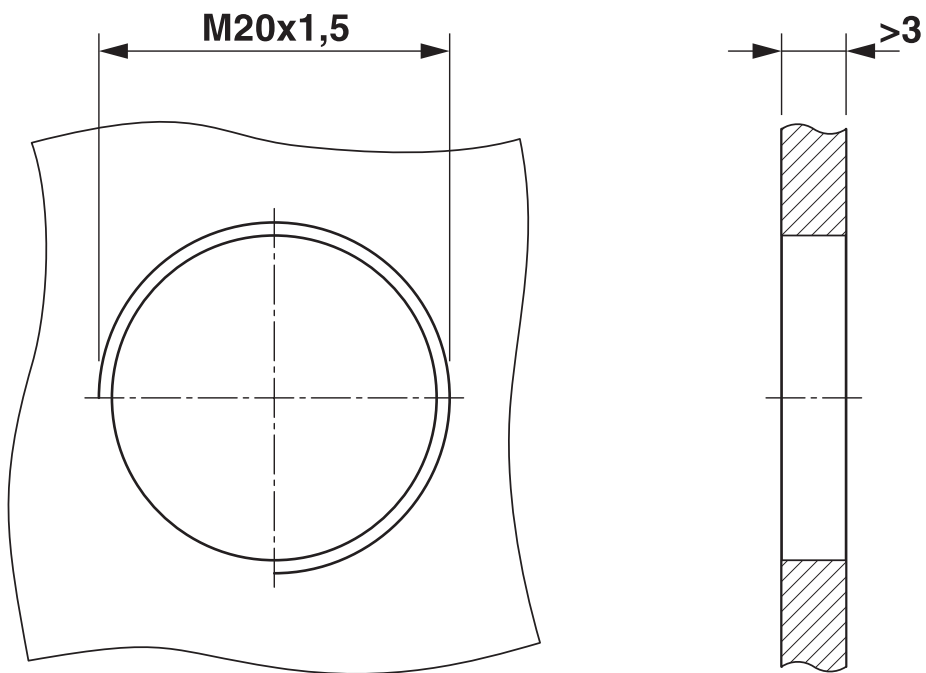
Drawings

Dimensional drawing



Installation dimensions

Dimensional drawing



Installation dimensions

# CA-16P1N8A6L00 - Device connector front mounting



1624027

<https://www.phoenixcontact.com/us/products/1624027>

## Approvals

To download certificates, visit the product detail page: <https://www.phoenixcontact.com/us/products/1624027>

 <b>cUL Recognized</b> Approval ID: E335019-20141210				
	Nominal voltage $U_N$	Nominal current $I_N$	Cross section AWG	Cross section $\text{mm}^2$
keine				
	48 V	3 A	20	-

 <b>UL Recognized</b> Approval ID: E335019-20141210				
	Nominal voltage $U_N$	Nominal current $I_N$	Cross section AWG	Cross section $\text{mm}^2$
keine				
	48 V	5 A	20	-

# CA-16P1N8A6L00 - Device connector front mounting



1624027

<https://www.phoenixcontact.com/us/products/1624027>

## Classifications

### ECLASS

ECLASS-13.0	27440109
ECLASS-15.0	27440109

### ETIM

ETIM 10.0	EC003569
-----------	----------

### UNSPSC

UNSPSC 21.0	39121400
-------------	----------

1624027

<https://www.phoenixcontact.com/us/products/1624027>

## Environmental product compliance

### EU RoHS

Fulfills EU RoHS substance requirements	Yes
Exemption	6(c)

### China RoHS

Environment friendly use period (EFUP)	EFUP-50
	An article-related China RoHS declaration table can be found in the download area for the respective article under "Manufacturer declaration". For all articles with EFUP-E, no China RoHS declaration table issued and required.

### EU REACH SVHC

REACH candidate substance (CAS No.)	Lead(CAS: 7439-92-1)
SCIP	91e61251-4c7f-482a-b4fe-d92af84062e7

Phoenix Contact 2026 © - all rights reserved

<https://www.phoenixcontact.com>

Phoenix Contact USA  
586 Fulling Mill Road  
Middletown, PA 17057, United States  
(+717) 944-1300  
[info@phoenixcon.com](mailto:info@phoenixcon.com)