

# EV-GBM4C-DC75A-1,5M16ESBK00 - DC charging cable



1623812

<https://www.phoenixcontact.com/us/products/1623812>

Please be informed that the data shown in this PDF document is generated from our online catalog. Please find the complete data in the user documentation. Our general terms of use for downloads are valid.



CHARX connect, GB/T, cable: 1.5 m, GB/T 20234.3-2015, DC charging cable with Vehicle Connector, open cable end, with protective cap

## Product description

DC charging cable with vehicle charging connector and free cable end for fast charging of electric vehicles (EV) with direct current (DC) via GB/T vehicle charging inlets, for installation at charging stations for e-mobility (EVSE)

## Your advantages

- Consistent design of all Phoenix Contact Vehicle Connectors and Infrastructure Plugs
- Silver-plated surface of the power and signal contacts
- Developed and produced in accordance with the IATF 16949 automotive standard and ISO 9001
- Convenient handling, thanks to the ergonomic handle and additional, rubber grip components
- Material data available in the IMDS (International Material Data System of the automotive industry)
- Integrated temperature sensors for monitoring the temperature at the power contacts
- Integrated interlock during charging

## Commercial data

Item number	1623812
Packing unit	1 pc
Minimum order quantity	1 pc
Product key	XWBAAG
GTIN	4055626192154
Weight per piece (including packing)	22.22 g
Weight per piece (excluding packing)	22.22 g
Country of origin	DE

# EV-GBM4C-DC75A-1,5M16ESBK00 - DC charging cable



1623812

<https://www.phoenixcontact.com/us/products/1623812>

## Technical data

### Product properties

Product type	DC charging cable
Product family	CHARX connect
Charging standard	GB/T
Charging mode	Mode 4

### Electrical properties

#### Temperature sensors (Pt 1000)

Sensor type	Pt 1000
Standards/regulations	DIN EN 60751
Attachment point	Sensor for the DC contacts
Switch-off temperature	90 °C ±1 K (equivalent to a Pt 1000 value of 1346.5 Ω)
Long-term stability	0.06 % (after 1000 hours at 130 °C)
Recommended measured current	1 mA (1 V at 0°C)
Coefficient	3850 ppm/K
Ambient temperature	-50 °C ... 130 °C (Operation)

### Cable/line

Cable length	1.5 m
Stripping length of the sheath	130 mm ±20 mm
Stripping length	130 mm ±20 mm

### Standards and regulations

#### Standards

Standards/regulations	GB/T 20234.3-2015
-----------------------	-------------------

# EV-GBM4C-DC75A-1,5M16ESBK00 - DC charging cable



1623812

<https://www.phoenixcontact.com/us/products/1623812>

## Drawings



Make sure that the vehicle charging connector is placed in an appropriate charging connector holder, which ensures a minimum protection rating of IP24 in accordance with IEC 61851-1, for the entire time between charging. To create this charging connector holder, use the dimensions of the vehicle charging connector. Detailed dimensions can also be found in the Download area.

# EV-GBM4C-DC75A-1,5M16ESBK00 - DC charging cable

1623812

<https://www.phoenixcontact.com/us/products/1623812>

## Schematic diagram



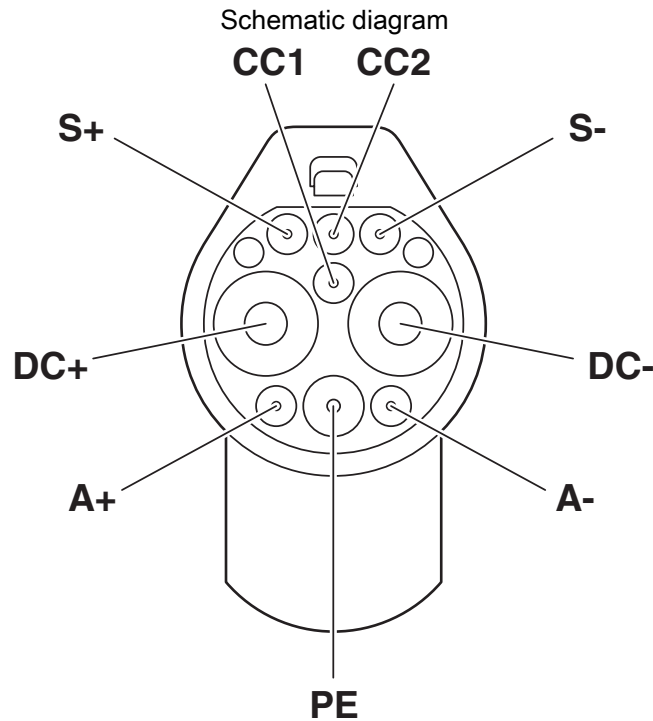
Operating instructions

# EV-GBM4C-DC75A-1,5M16ESBK00 - DC charging cable



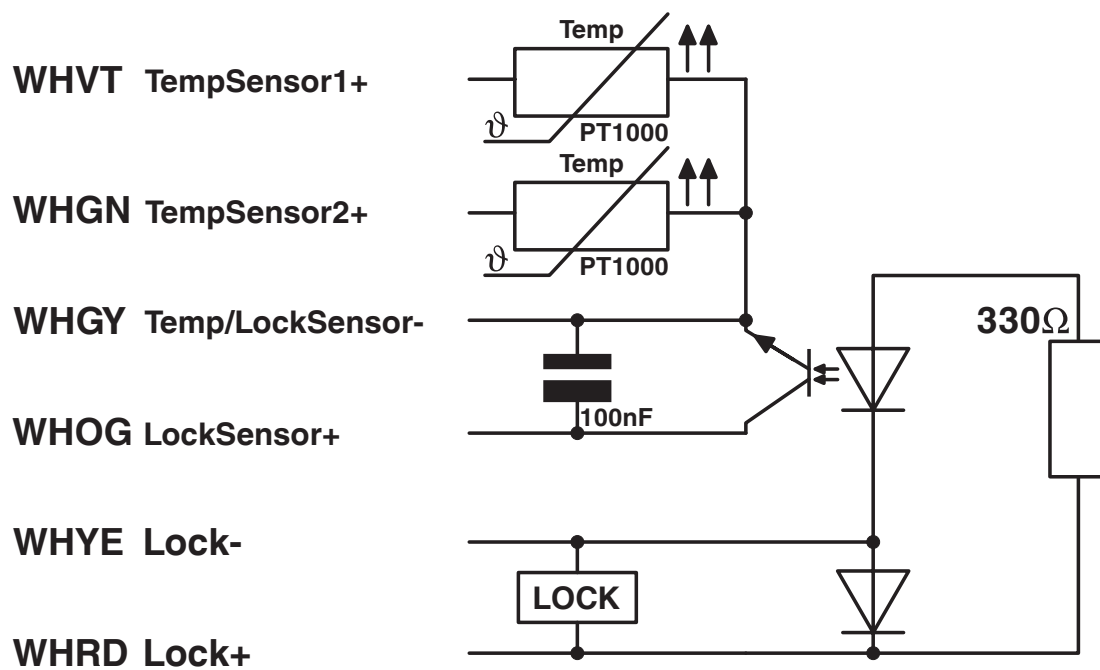
1623812

<https://www.phoenixcontact.com/us/products/1623812>



Pin assignment of the Vehicle Connector

Block diagram



Block diagram GB/T DC

# EV-GBM4C-DC75A-1,5M16ESBK00 - DC charging cable



1623812

<https://www.phoenixcontact.com/us/products/1623812>

## Environmental product compliance

### China RoHS

Environment friendly use period (EFUP)	EFUP-10 An article-related China RoHS declaration table can be found in the download area for the respective article under "Manufacturer declaration". For all articles with EFUP-E, no China RoHS declaration table issued and required.
--	--

### EU REACH SVHC

REACH candidate substance (CAS No.)	No substance above 0.1 wt%
-------------------------------------	----------------------------

Phoenix Contact 2026 © - all rights reserved  
<https://www.phoenixcontact.com>

Phoenix Contact USA  
586 Fulling Mill Road  
Middletown, PA 17057, United States  
(+717) 944-1300  
[info@phoenixcon.com](mailto:info@phoenixcon.com)