

SH-Z2305 - Metal protective cap

1623803

<https://www.phoenixcontact.com/us/products/1623803>

Please be informed that the data shown in this PDF document is generated from our online catalog. Please find the complete data in the user documentation. Our general terms of use for downloads are valid.

Metal protective cap, this item is expected to be lead-free from Q2 2026 in accordance with RoHS II without exception 6c (Pb < 0.1%), a lead-free alternative is possible on request in advance



Commercial data

Item number	1623803
Packing unit	10 pc
Minimum order quantity	1 pc
Note	Made to order (non-returnable)
Product key	ABRCDU
GTIN	4055626190235
Weight per piece (including packing)	30.33 g
Weight per piece (excluding packing)	30.222 g
Country of origin	DE

SH-Z2305 - Metal protective cap



1623803

<https://www.phoenixcontact.com/us/products/1623803>

Technical data

Product properties

Product type	Protective cap
--------------	----------------

Environmental and real-life conditions

Ambient conditions

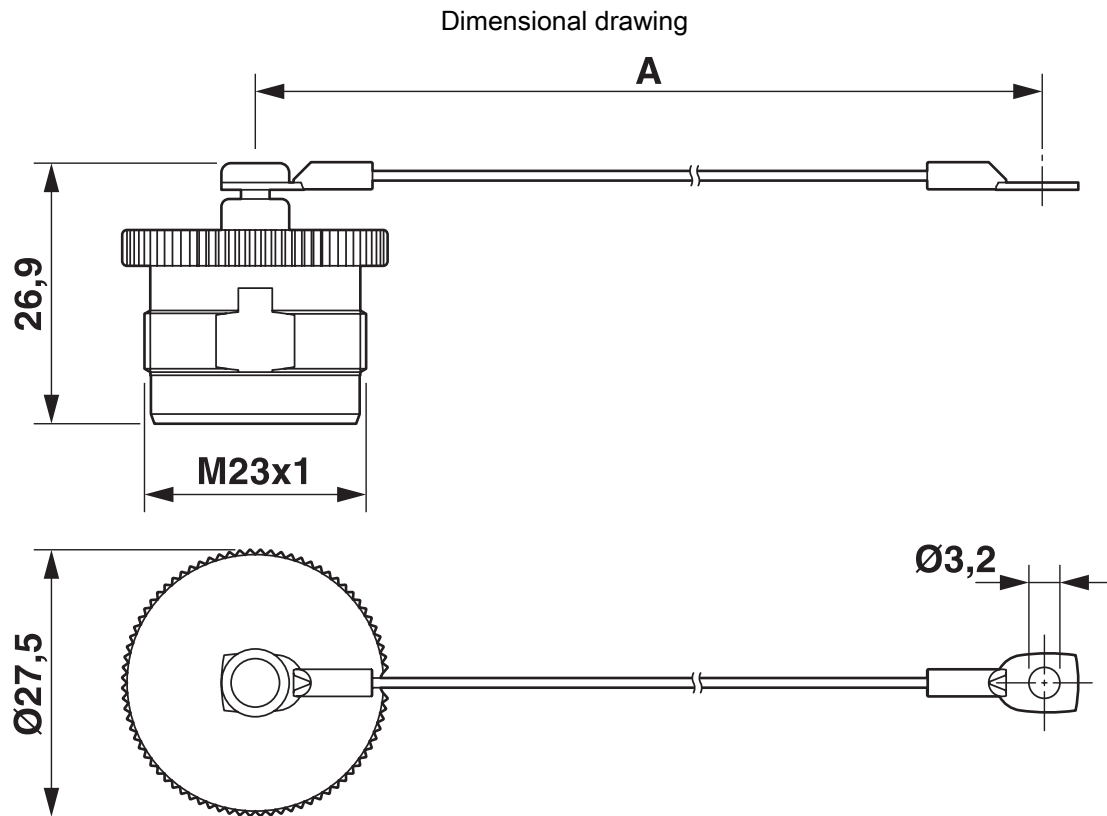
Degree of protection	IP67
----------------------	------

SH-Z2305 - Metal protective cap

1623803

<https://www.phoenixcontact.com/us/products/1623803>

Drawings



Dimension A = 110 mm

SH-Z2305 - Metal protective cap



1623803

<https://www.phoenixcontact.com/us/products/1623803>

Classifications

ECLASS

ECLASS-13.0	27440208
ECLASS-15.0	27440208

ETIM

ETIM 10.0	EC002314
-----------	----------

UNSPSC

UNSPSC 21.0	39121400
-------------	----------

SH-Z2305 - Metal protective cap



1623803

<https://www.phoenixcontact.com/us/products/1623803>

Environmental product compliance

EU RoHS

Fulfills EU RoHS substance requirements	Yes
Exemption	6(c)

China RoHS

Environment friendly use period (EFUP)	EFUP-50
	An article-related China RoHS declaration table can be found in the download area for the respective article under "Manufacturer declaration". For all articles with EFUP-E, no China RoHS declaration table issued and required.

EU REACH SVHC

REACH candidate substance (CAS No.)	Lead(CAS: 7439-92-1)
SCIP	b2bcad72-ca91-4a47-9186-abb4cdee14ef

Phoenix Contact 2026 © - all rights reserved

<https://www.phoenixcontact.com>

Phoenix Contact USA
586 Fulling Mill Road
Middletown, PA 17057, United States
(+717) 944-1300
info@phoenixcon.com