

# RC-15P2020 - Crimp contact



1623777

<https://www.phoenixcontact.com/us/products/1623777>

Please be informed that the data shown in this PDF document is generated from our online catalog. Please find the complete data in the user documentation. Our general terms of use for downloads are valid.



Crimp contact, Pin, turned, contact diameter: 1 mm, connection cross section: 0.14 mm<sup>2</sup> ... 0.56 mm<sup>2</sup>, contact material: CuZn, Alternative product in accordance with RoHS II without Exemption 6c (Pb < 0.1 %) item no.: 1244971

The figure may differ depending on the connection area

## Your advantages

- Crimping connection: vibration- and temperature-resistant assembly
- High tensile strength of the connection
- Low contact resistance
- Easy production monitoring

## Commercial data

Item number	1623777
Packing unit	100 pc
Minimum order quantity	100 pc
Sales key	AB36
Product key	ABREAE
GTIN	4055626190266
Weight per piece (including packing)	0.354 g
Weight per piece (excluding packing)	0.31 g
Customs tariff number	85366990
Country of origin	DE

# RC-15P2020 - Crimp contact



1623777

<https://www.phoenixcontact.com/us/products/1623777>

## Technical data

### Product properties

Product type	Crimp contact
Contact material type	turned

### Connection data

#### Connection technology

Contact connection type	Pin
Connection method	Crimp connection

#### Conductor connection

Connection cross section	0.14 mm <sup>2</sup> ... 0.56 mm <sup>2</sup>
--------------------------	---

### Material specifications

Material Contact	CuZn
Material Metal surface contact area (middle layer)	Ni
Material Metal surface contact area (top layer)	Au

### Dimensions

Dimensional drawing	
Diameter (Contact diameter)	1 mm

### Mechanical properties

#### Mechanical data

Insertion/withdrawal cycles	100
-----------------------------	-----

# RC-15P2020 - Crimp contact

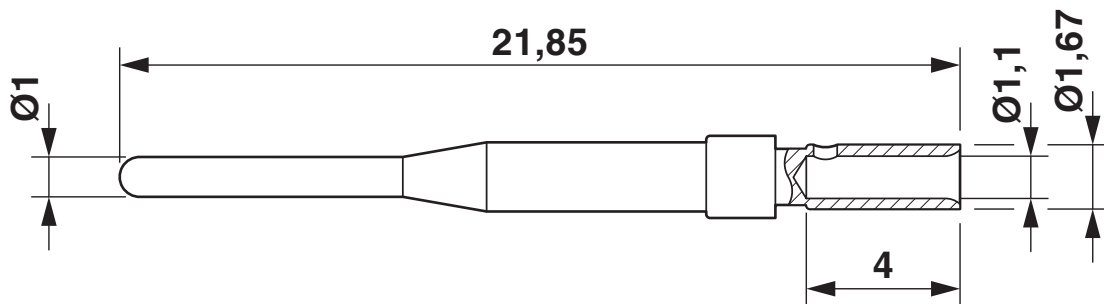


1623777

<https://www.phoenixcontact.com/us/products/1623777>

## Drawings

Dimensional drawing



Dimensional drawing

# RC-15P2020 - Crimp contact



1623777

<https://www.phoenixcontact.com/us/products/1623777>

## Classifications

### ECLASS

ECLASS-13.0	27440204
ECLASS-15.0	27440204

### ETIM

ETIM 10.0	EC000796
-----------	----------

### UNSPSC

UNSPSC 21.0	39121500
-------------	----------

# RC-15P2020 - Crimp contact



1623777

<https://www.phoenixcontact.com/us/products/1623777>

## Environmental product compliance

### EU RoHS

Fulfills EU RoHS substance requirements	Yes
Exemption	6(c)

### China RoHS

Environment friendly use period (EFUP)	EFUP-50
	An article-related China RoHS declaration table can be found in the download area for the respective article under "Manufacturer declaration". For all articles with EFUP-E, no China RoHS declaration table issued and required.

### EU REACH SVHC

REACH candidate substance (CAS No.)	Lead(CAS: 7439-92-1)
SCIP	b57bccef-43d4-4340-bc9e-210431a31ca7

Phoenix Contact 2026 © - all rights reserved

<https://www.phoenixcontact.com>

Phoenix Contact USA  
586 Fulling Mill Road  
Middletown, PA 17057, United States  
(+717) 944-1300  
[info@phoenixcon.com](mailto:info@phoenixcon.com)