

EV-GBM3C-1AC16A-7,0M2,5ESOG00 - AC charging cable



1623615

<https://www.phoenixcontact.com/us/products/1623615>

Please be informed that the data shown in this PDF document is generated from our online catalog. Please find the complete data in the user documentation. Our general terms of use for downloads are valid.



CHARX connect, GB/T, AC charging cable, 16 A permanent, 250 V AC, with vehicle charging connector and open cable end, cable: 7 m, black, straight, with protective cap, housing: black, gray, PHOENIX CONTACT logo, GB/T 20234.2, for charging electric vehicles (EV) with alternating current (AC) via GB/T vehicle charging inlets

Product description

AC charging cable with vehicle charging connector and free cable end for charging electric vehicles (EV) with alternating current (AC) via GB/T vehicle charging inlets, for installation at charging stations for e-mobility (EVSE)

Your advantages

- Complete product range
- Convenient handling due to the ergonomic, triple award-winning design
- Available with your logo on request - for consistent branding of your charging station
- Longitudinal water tightness reliably prevents water ingress
- Developed and produced in accordance with the IATF 16949 automotive standard and ISO 9001
- Tested in accordance with automotive standards LV124, LV214, and LV215-2
- Tested in accordance with EV Ready 37 requirements

Commercial data

Item number	1623615
Packing unit	1 pc
Minimum order quantity	1 pc
Product key	XWBAAF
GTIN	4055626171357
Weight per piece (including packing)	2.22 g
Weight per piece (excluding packing)	2.22 g
Country of origin	DE

EV-GBM3C-1AC16A-7,0M2,5ESOG00 - AC charging cable



1623615

<https://www.phoenixcontact.com/us/products/1623615>

Technical data

Product properties

Product type	AC charging cable
Product family	CHARX connect
Type	AC charging cable with vehicle charging connector and open cable end
Design	with protective cap
Charging standard	GB/T
Charging mode	Mode 3, Case C
Affixed logo	PHOENIX CONTACT logo
Label	14.1 mm x 44.8 mm (customer logo on request)
Customer variations	On request

Electrical properties

Type of signal transmission	Pulse width modulation
Note on the connection method	Crimp connection, cannot be disconnected
Coding	680 Ω (between PE and CC)

Charging power and current (AC charging, 1-phase)

Type of charging current	AC single-phase
Charging current	16 A AC (1-phase)
Charging power	4 kW (1-phase)
Rated voltage	250 V

Pin assignment (Power contacts)

Number	3 (L, N, PE)
Rated voltage	250 V
Rated current	16 A

Pin assignment (Signal contacts)

Number	2 (CP, CC)
Rated voltage	30 V AC
Rated current	2 A

Dimensions

Vehicle charging connector

Width	58 mm
Height	151.3 mm
Depth	238.7 mm

Material specifications

Color (Housing)	black (9005)
Color (Handle area)	black (9005)

EV-GBM3C-1AC16A-7,0M2,5ESOG00 - AC charging cable



1623615

<https://www.phoenixcontact.com/us/products/1623615>

Color (Actuating element)	black (9005)
Color (Mating face)	black (9005)
Color (Protective cap)	black (9005)
Color (Cable)	black (9005)
Material (Vehicle charging connector)	Plastic
Material (Cable outer sheath)	TPE-U
Material (Contact surface)	Silver

Cable/line

Cable length	7 m
Cable weight	max. 163.00 kg/km
Cable type	Class 6
Cable type	straight
Cable structure	3 x 2.5 mm ² + 1 x 0.5 mm ²
External cable diameter	10.50 mm ±0.4 mm
Outer sheath, material	TPE
Stripping length of the sheath	45 mm ±10 mm
Stripping length	45 mm ±10 mm
Cable resistance	≤ 0.0076 Ω/m (based on a power core, at an ambient temperature of 20°C)
Bending radius	min. 157.5 mm (15x diameter)
Cable length	7 m
Stripping length	45 mm ±10 mm
External cable diameter	10.50 mm ±0.4 mm
Cable type	Class 6
Cable resistance	≤ 0.0076 Ω/m (based on a power core, at an ambient temperature of 20°C)

Mechanical properties

Mechanical data

Insertion/withdrawal cycles	> 10000
Insertion force	< 100 N
Withdrawal force	< 100 N

Environmental and real-life conditions

Ambient conditions

Degree of protection (Vehicle charging connector)	IP55 (plugged in; when plugged in and ready to operate, the degree of protection is only ensued if both plug-in components are original products from Phoenix Contact or suitable standard-compliant products)
Degree of protection (Protective cap)	IP54
Ambient temperature (operation)	-30 °C ... 50 °C
Ambient temperature (storage/transport)	-40 °C ... 80 °C
Altitude	5000 m (above sea level)

EV-GBM3C-1AC16A-7,0M2,5ESOG00 - AC charging cable



1623615

<https://www.phoenixcontact.com/us/products/1623615>

Standards and regulations

Standards

Standards/regulations

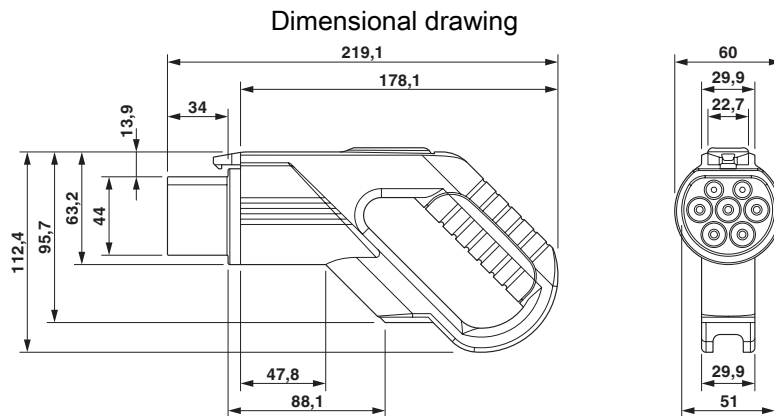
GB/T 20234.2

EV-GBM3C-1AC16A-7,0M2,5ESOG00 - AC charging cable

1623615

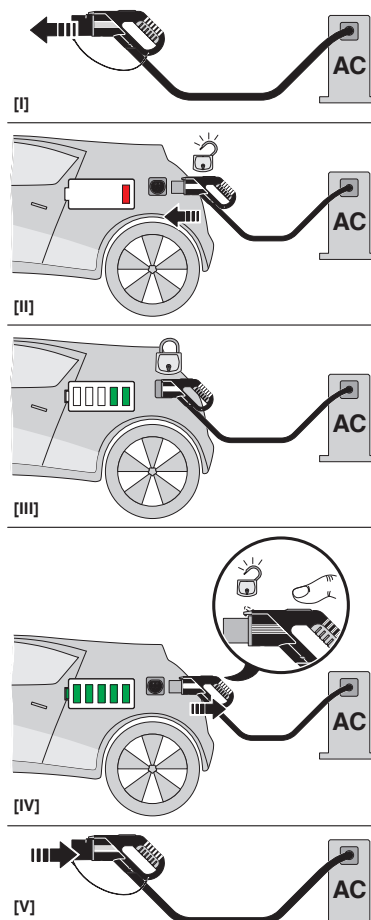
<https://www.phoenixcontact.com/us/products/1623615>

Drawings



Make sure that the vehicle charging connector is placed in an appropriate charging connector holder, which ensures a minimum protection rating of IP24 in accordance with IEC 61851-1, for the entire time between charging. To create this charging connector holder, use the dimensions of the vehicle charging connector. Detailed dimensions can also be found in the Download area.

Schematic diagram



EV-GBM3C-1AC16A-7,0M2,5ESOG00 - AC charging cable

1623615

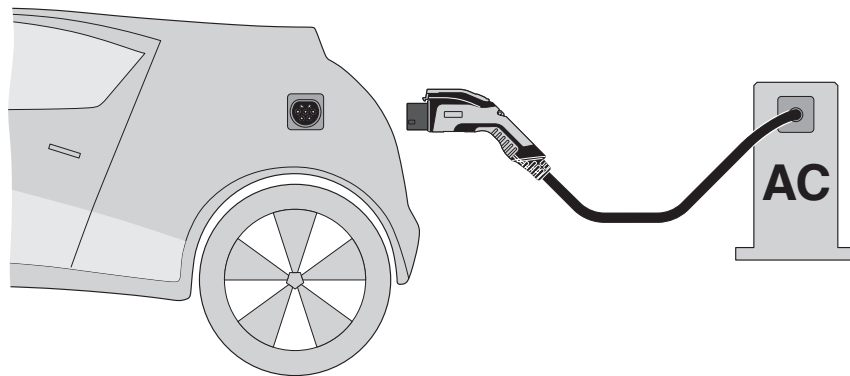
<https://www.phoenixcontact.com/us/products/1623615>

Schematic diagram



Pin assignment of the Vehicle Connector

Schematic diagram



Terminology definition

EV-GBM3C-1AC16A-7,0M2,5ESOG00 - AC charging cable



1623615

<https://www.phoenixcontact.com/us/products/1623615>

Classifications

ECLASS

ECLASS-15.0	27144705
ECLASS-13.0	27144705

ETIM

ETIM 10.0	EC002897
-----------	----------

UNSPSC

UNSPSC 21.0	39121500
-------------	----------

EV-GBM3C-1AC16A-7,0M2,5ESOG00 - AC charging cable



1623615

<https://www.phoenixcontact.com/us/products/1623615>

Environmental product compliance

EU RoHS

Fulfills EU RoHS substance requirements	Yes
Exemption	6(c)

China RoHS

Environment friendly use period (EFUP)	EFUP-10
	An article-related China RoHS declaration table can be found in the download area for the respective article under "Manufacturer declaration". For all articles with EFUP-E, no China RoHS declaration table issued and required.

EU REACH SVHC

REACH candidate substance (CAS No.)	Lead(CAS: 7439-92-1)
-------------------------------------	----------------------

Phoenix Contact 2026 © - all rights reserved
<https://www.phoenixcontact.com>

Phoenix Contact USA
586 Fulling Mill Road
Middletown, PA 17057, United States
(+717) 944-1300
info@phoenixcon.com