

HC-1KP2000 - Crimp contact



1623432

<https://www.phoenixcontact.com/us/products/1623432>

Please be informed that the data shown in this PDF document is generated from our online catalog. Please find the complete data in the user documentation. Our general terms of use for downloads are valid.



Crimp contact, Pin, turned, contact diameter: 1 mm, connection cross section: 0.5 mm² ... 1 mm², contact material: CuZn, Alternative product in accordance with RoHS II without Exemption 6c (Pb < 0.1 %) item no.: 1244903

Your advantages

- Crimping connection: vibration- and temperature-resistant assembly

Commercial data

| | |
|--------------------------------------|---------------|
| Item number | 1623432 |
| Packing unit | 100 pc |
| Minimum order quantity | 100 pc |
| Sales key | AB36 |
| Product key | ABREAD |
| GTIN | 4055626274225 |
| Weight per piece (including packing) | 0.206 g |
| Weight per piece (excluding packing) | 0.163 g |
| Customs tariff number | 85366990 |
| Country of origin | DE |

HC-1KP2000 - Crimp contact



1623432

<https://www.phoenixcontact.com/us/products/1623432>

Technical data

Product properties

| | |
|-----------------------|---------------|
| Product type | Crimp contact |
| Contact material type | turned |

Connection data

Connection technology

| | |
|-------------------------|------------------|
| Contact connection type | Pin |
| Connection method | Crimp connection |

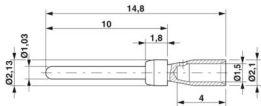
Conductor connection

| | |
|--------------------------|---|
| Connection cross section | 0.5 mm ² ... 1 mm ² |
|--------------------------|---|

Material specifications

| | |
|--|------|
| Material Contact | CuZn |
| Material Metal surface contact area (middle layer) | Ni |
| Material Metal surface contact area (top layer) | Au |

Dimensions

| | |
|-----------------------------|--|
| Dimensional drawing |  |
| Diameter (Contact diameter) | 1 mm |

Mechanical properties

Mechanical data

| | |
|-----------------------------|-----|
| Insertion/withdrawal cycles | 100 |
|-----------------------------|-----|

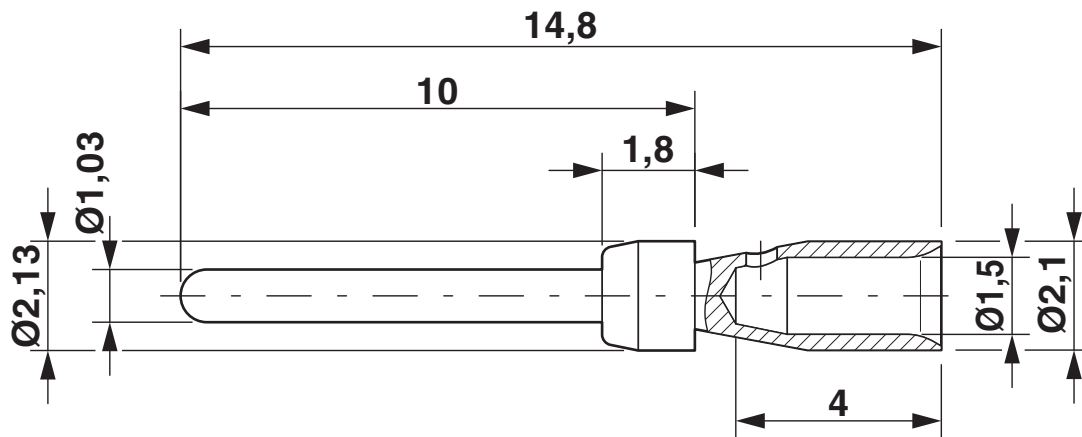
HC-1KP2000 - Crimp contact

1623432

<https://www.phoenixcontact.com/us/products/1623432>

Drawings

Dimensional drawing



Dimensional drawing

HC-1KP2000 - Crimp contact



1623432

<https://www.phoenixcontact.com/us/products/1623432>

Classifications

ECLASS

| | |
|-------------|----------|
| ECLASS-13.0 | 27440204 |
| ECLASS-15.0 | 27440204 |

ETIM

| | |
|-----------|----------|
| ETIM 10.0 | EC000796 |
|-----------|----------|

UNSPSC

| | |
|-------------|----------|
| UNSPSC 21.0 | 39121500 |
|-------------|----------|

HC-1KP2000 - Crimp contact



1623432

<https://www.phoenixcontact.com/us/products/1623432>

Environmental product compliance

EU RoHS

| | |
|---|------|
| Fulfills EU RoHS substance requirements | Yes |
| Exemption | 6(c) |

China RoHS

| | |
|--|---|
| Environment friendly use period (EFUP) | EFUP-50 |
| | An article-related China RoHS declaration table can be found in the download area for the respective article under "Manufacturer declaration". For all articles with EFUP-E, no China RoHS declaration table issued and required. |

EU REACH SVHC

| | |
|-------------------------------------|--------------------------------------|
| REACH candidate substance (CAS No.) | Lead(CAS: 7439-92-1) |
| SCIP | 81be5048-4180-477d-9487-e0c7a1130e1f |

Phoenix Contact 2026 © - all rights reserved

<https://www.phoenixcontact.com>

Phoenix Contact USA
586 Fulling Mill Road
Middletown, PA 17057, United States
(+717) 944-1300
info@phoenixcon.com