

# SB-36KS004 - Crimp contact



1623380

<https://www.phoenixcontact.com/us/products/1623380>

Please be informed that the data shown in this PDF document is generated from our online catalog. Please find the complete data in the user documentation. Our general terms of use for downloads are valid.



Crimp contact, Socket, turned, contact diameter: 3.6 mm, connection cross section: 10 mm<sup>2</sup> ... 10 mm<sup>2</sup>, contact material: CuZn, Alternative product in accordance with RoHS II without Exemption 6c (Pb < 0.1 %) item no.: 1244891

The figure may differ depending on the connection area

## Your advantages

- Crimping connection: vibration- and temperature-resistant assembly
- High tensile strength of the connection
- Low contact resistance
- Easy production monitoring

## Commercial data

Item number	1623380
Packing unit	20 pc
Minimum order quantity	20 pc
Sales key	AB36
Product key	ABREAH
GTIN	4055626195247
Weight per piece (including packing)	6.13 g
Weight per piece (excluding packing)	5.99 g
Customs tariff number	85366990
Country of origin	DE



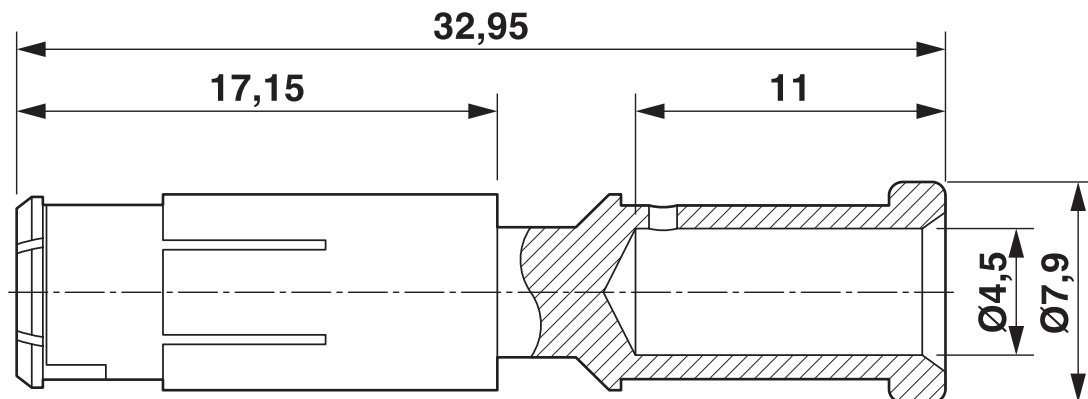
# SB-36KS004 - Crimp contact

1623380

<https://www.phoenixcontact.com/us/products/1623380>

## Drawings

Dimensional drawing



Dimensional drawing

# SB-36KS004 - Crimp contact



1623380

<https://www.phoenixcontact.com/us/products/1623380>

## Classifications

### ECLASS

ECLASS-13.0	27440204
ECLASS-15.0	27440204

### ETIM

ETIM 10.0	EC000796
-----------	----------

### UNSPSC

UNSPSC 21.0	39121500
-------------	----------

# SB-36KS004 - Crimp contact



1623380

<https://www.phoenixcontact.com/us/products/1623380>

## Environmental product compliance

### EU RoHS

Fulfills EU RoHS substance requirements	Yes
Exemption	6(c)

### China RoHS

Environment friendly use period (EFUP)	EFUP-50
	An article-related China RoHS declaration table can be found in the download area for the respective article under "Manufacturer declaration". For all articles with EFUP-E, no China RoHS declaration table issued and required.

### EU REACH SVHC

REACH candidate substance (CAS No.)	Lead(CAS: 7439-92-1)
SCIP	67c727ed-f52d-4de2-9bf4-fd3a2835dc18

Phoenix Contact 2026 © - all rights reserved

<https://www.phoenixcontact.com>

Phoenix Contact USA  
586 Fulling Mill Road  
Middletown, PA 17057, United States  
(+717) 944-1300  
[info@phoenixcon.com](mailto:info@phoenixcon.com)