

HC-26PDN8A80DU - Cable connector



1623289

<https://www.phoenixcontact.com/us/products/1623289>

Please be informed that the data shown in this PDF document is generated from our online catalog. Please find the complete data in the user documentation. Our general terms of use for downloads are valid.



The figure shows the product version with standard contact chamber numbering

Cable connector, application: Signal, straight, Screw locking mechanism, M27, number of positions: 26, contact connection type: Pin, shielded: yes, cable diameter range: 2 mm ... 14.5 mm, number of positions: 26, connection method: Crimp connection, series: HC, with special knurl

Commercial data

| | |
|--------------------------------------|--------------------------------|
| Item number | 1623289 |
| Packing unit | 12 pc |
| Minimum order quantity | 1 pc |
| Note | Made to order (non-returnable) |
| Product key | ABRAJA |
| GTIN | 4055626273174 |
| Weight per piece (including packing) | 88.65 g |
| Weight per piece (excluding packing) | 88.65 g |
| Country of origin | DE |

HC-26PDN8A80DU - Cable connector



1623289

<https://www.phoenixcontact.com/us/products/1623289>

Technical data

Notes

| | |
|--------------------|--|
| Order information: | Order crimp contacts Ø 1 mm separately |
|--------------------|--|

Product properties

| | |
|---------------------|---------------------------------|
| Product type | Circular connector (cable-side) |
| Series | HC |
| Application | Signal |
| Number of positions | 26 |
| Connection profile | 26 |
| Shielded | yes |
| Coding | N |
| Thread type | M27 |

Material specifications

| | |
|------------------|-------|
| Seal material | NBR |
| Housing material | Metal |

Connection data

| | |
|----------------------|------------------|
| Conductor connection | |
| Connection method | Crimp connection |

Electrical properties

| | |
|-----------------------|---------|
| Contact | |
| Contact diameter | 1 mm |
| Nominal current I_N | 8 A |
| Nominal voltage U_N | 48 V AC |
| | 74 V DC |
| Overvoltage category | III |
| Degree of pollution | 3 |
| Rated surge voltage | 1.5 kV |

Connector

| | |
|-----------------------|-------------------|
| Type | straight |
| Direction of rotation | Counter direction |

Cable/line

| | |
|-------------------------|------------------|
| External cable diameter | 2 mm ... 14.5 mm |
|-------------------------|------------------|

Environmental and real-life conditions

| | |
|----------------------|-----------------------|
| Ambient conditions | |
| Degree of protection | IP67, when plugged in |

HC-26PDN8A80DU - Cable connector

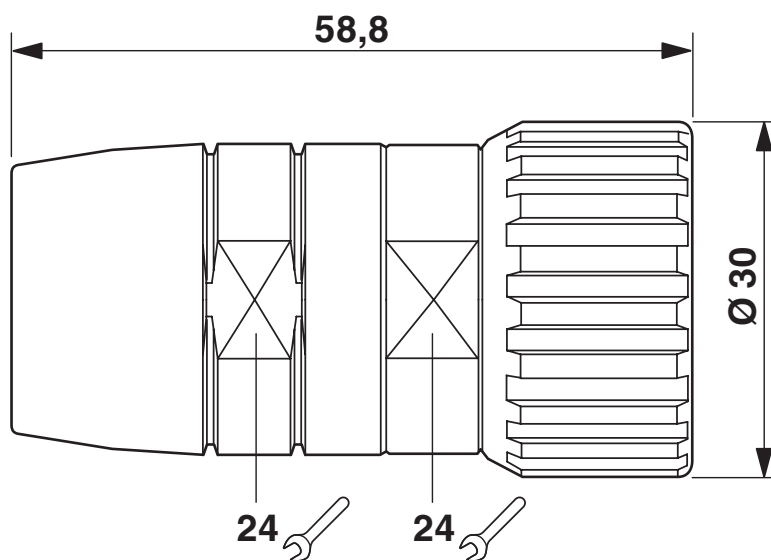
1623289

<https://www.phoenixcontact.com/us/products/1623289>



Drawings

Dimensional drawing



HC-26PDN8A80DU - Cable connector



1623289

<https://www.phoenixcontact.com/us/products/1623289>

Classifications

UNSPSC

| | |
|-------------|----------|
| UNSPSC 21.0 | 39121400 |
|-------------|----------|

HC-26PDN8A80DU - Cable connector



1623289

<https://www.phoenixcontact.com/us/products/1623289>

Environmental product compliance

EU RoHS

| | |
|---|------|
| Fulfills EU RoHS substance requirements | Yes |
| Exemption | 6(c) |

China RoHS

| | |
|--|---|
| Environment friendly use period (EFUP) | EFUP-50 |
| | An article-related China RoHS declaration table can be found in the download area for the respective article under "Manufacturer declaration". For all articles with EFUP-E, no China RoHS declaration table issued and required. |

EU REACH SVHC

| | |
|-------------------------------------|----------------------|
| REACH candidate substance (CAS No.) | Lead(CAS: 7439-92-1) |
|-------------------------------------|----------------------|

Phoenix Contact 2026 © - all rights reserved
<https://www.phoenixcontact.com>

Phoenix Contact USA
586 Fulling Mill Road
Middletown, PA 17057, United States
(+717) 944-1300
info@phoenixcon.com