

HC-26S1N8AWA00 - Device connector front mounting



1623280

<https://www.phoenixcontact.com/us/products/1623280>

Please be informed that the data shown in this PDF document is generated from our online catalog. Please find the complete data in the user documentation. Our general terms of use for downloads are valid.



Device connector front mounting, application: Signal, straight, Screw locking mechanism, M27, number of positions: 26, contact connection type: Socket, Radial O-ring, 4x Ø 3.2, shielded: yes, flange dimensions: 30 mm x 30 mm, number of positions: 26, connection method: Crimp connection, series: HC

Commercial data

Item number	1623280
Packing unit	24 pc
Minimum order quantity	1 pc
Note	Made to order (non-returnable)
Product key	ABRAJL
GTIN	4055626273051
Weight per piece (including packing)	45.5 g
Weight per piece (excluding packing)	45.5 g
Country of origin	DE

1623280

<https://www.phoenixcontact.com/us/products/1623280>

Technical data

Notes

Order information:	Order crimp contacts Ø 1 mm separately
--------------------	--

Product properties

Product type	Circular connectors (device side)
Series	HC
Application	Signal
Number of positions	26
Connection profile	26
Shielded	yes
Coding	N
Thread type	M27

Dimensions

Housing

Flange dimensions	30 mm x 30 mm
-------------------	---------------

Material specifications

Flammability rating according to UL 94	V0
Seal material	FPM or NBR or EPDM
Housing material	Metal

Electrical properties

Contact

Contact diameter	1 mm
Nominal current I_N	8 A
Nominal voltage U_N	48 V AC
	74 V DC
Overvoltage category	III
Degree of pollution	3
Rated surge voltage	1.5 kV

Connection data

Conductor connection

Connection method	Crimp connection
Contact connection type	Socket

Connector

Type	straight
Direction of rotation	Standard

1623280

<https://www.phoenixcontact.com/us/products/1623280>

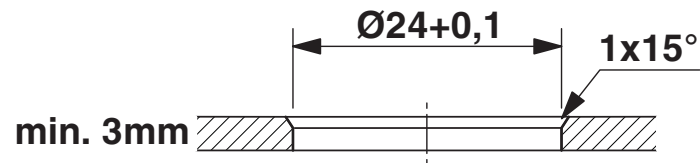
Environmental and real-life conditions

Ambient conditions

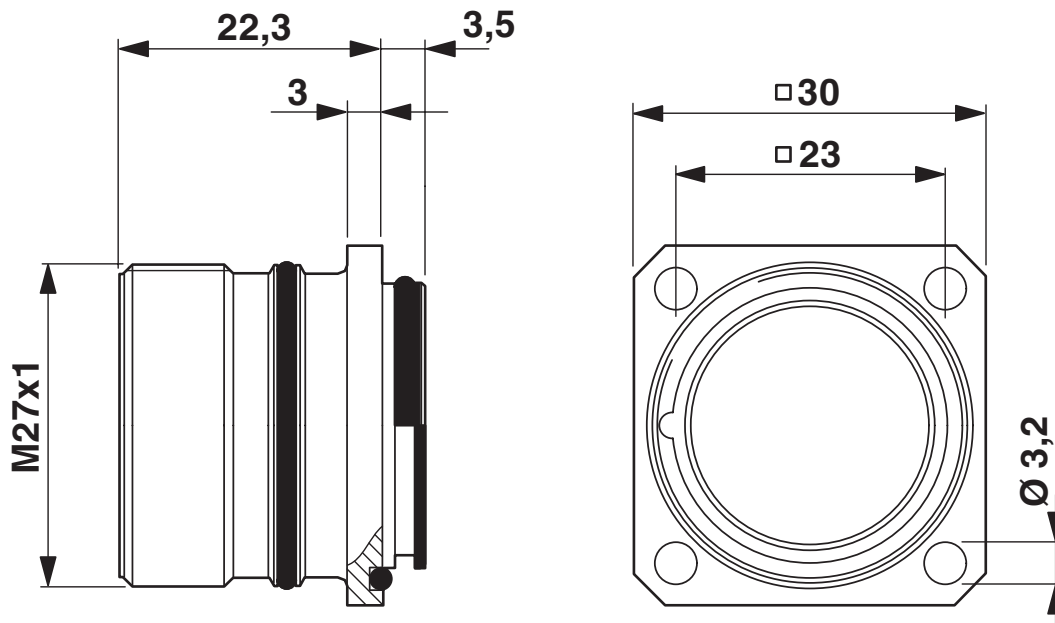
Degree of protection	IP67, when plugged in
Ambient temperature (operation)	-20 °C ... 125 °C
Altitude	2000 m

Drawings

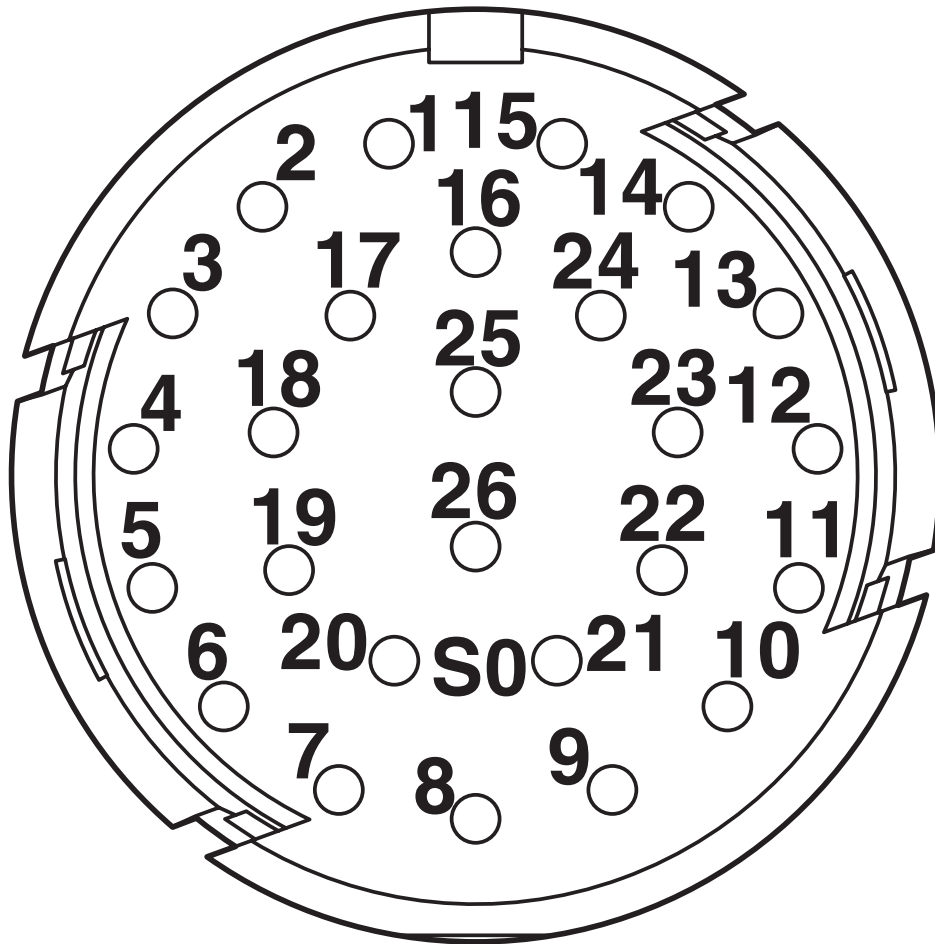
Dimensional drawing



Dimensional drawing



Schematic diagram



HC-26S1N8AWA00 - Device connector front mounting



1623280

<https://www.phoenixcontact.com/us/products/1623280>

Classifications

UNSPSC

UNSPSC 21.0	39121400
-------------	----------

1623280

<https://www.phoenixcontact.com/us/products/1623280>

Environmental product compliance

EU RoHS

Fulfills EU RoHS substance requirements	Yes
Exemption	6(c)

China RoHS

Environment friendly use period (EFUP)	EFUP-50
	An article-related China RoHS declaration table can be found in the download area for the respective article under "Manufacturer declaration". For all articles with EFUP-E, no China RoHS declaration table issued and required.

EU REACH SVHC

REACH candidate substance (CAS No.)	Lead(CAS: 7439-92-1)
-------------------------------------	----------------------

Phoenix Contact 2026 © - all rights reserved
<https://www.phoenixcontact.com>

Phoenix Contact USA
586 Fulling Mill Road
Middletown, PA 17057, United States
(+717) 944-1300
info@phoenixcon.com