

HC-26S1N8A90DU - Coupler connector



1623273

<https://www.phoenixcontact.com/us/products/1623273>

Please be informed that the data shown in this PDF document is generated from our online catalog. Please find the complete data in the user documentation. Our general terms of use for downloads are valid.



Coupler connector, application: Signal, straight, Screw locking mechanism, M27, number of positions: 26, contact connection type: Socket, shielded: yes, cable diameter range: 2 mm ... 14.5 mm, number of positions: 26, connection method: Crimp connection, series: HC

Commercial data

Item number	1623273
Packing unit	12 pc
Minimum order quantity	1 pc
Note	Made to order (non-returnable)
Product key	ABRAJG
GTIN	4055626273006
Weight per piece (including packing)	56.06 g
Weight per piece (excluding packing)	56.06 g
Country of origin	DE

HC-26S1N8A90DU - Coupler connector



1623273

<https://www.phoenixcontact.com/us/products/1623273>

Technical data

Notes

Order information:	Order crimp contacts Ø 1 mm separately
--------------------	--

Product properties

Product type	Circular connector (cable-side)
Series	HC
Application	Signal
Number of positions	26
Connection profile	26
Shielded	yes
Coding	N
Thread type	M27

Material specifications

Seal material	NBR
Housing material	Metal

Connection data

Conductor connection	
Connection method	Crimp connection

Electrical properties

Contact	
Contact diameter	1 mm
Nominal voltage U_N	48 V AC 74 V DC
Overvoltage category	III
Degree of pollution	3
Rated surge voltage	1.5 kV

Connector

Type	straight
Direction of rotation	Standard

Cable/line

External cable diameter	2 mm ... 14.5 mm
-------------------------	------------------

Environmental and real-life conditions

Ambient conditions	
Degree of protection	IP67, when plugged in
Ambient temperature (operation)	-20 °C ... 125 °C

HC-26S1N8A90DU - Coupler connector



1623273

<https://www.phoenixcontact.com/us/products/1623273>

Altitude	2000 m
----------	--------

HC-26S1N8A90DU - Coupler connector

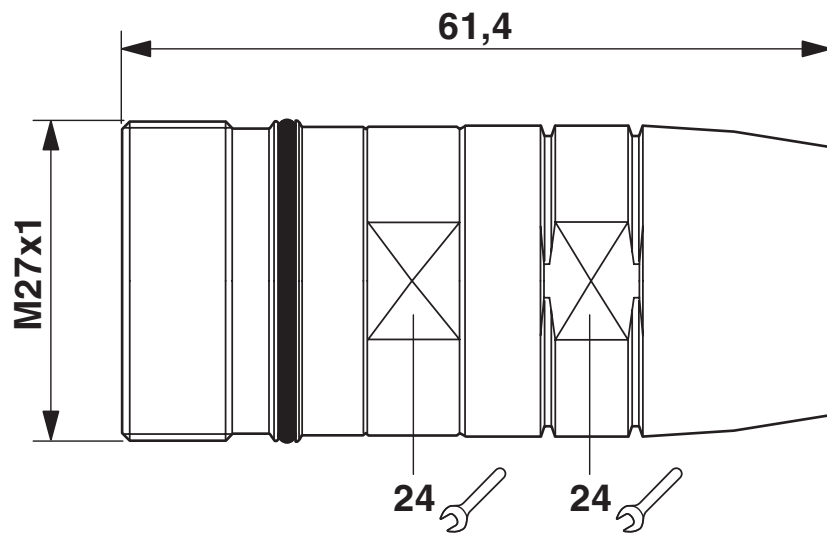


1623273

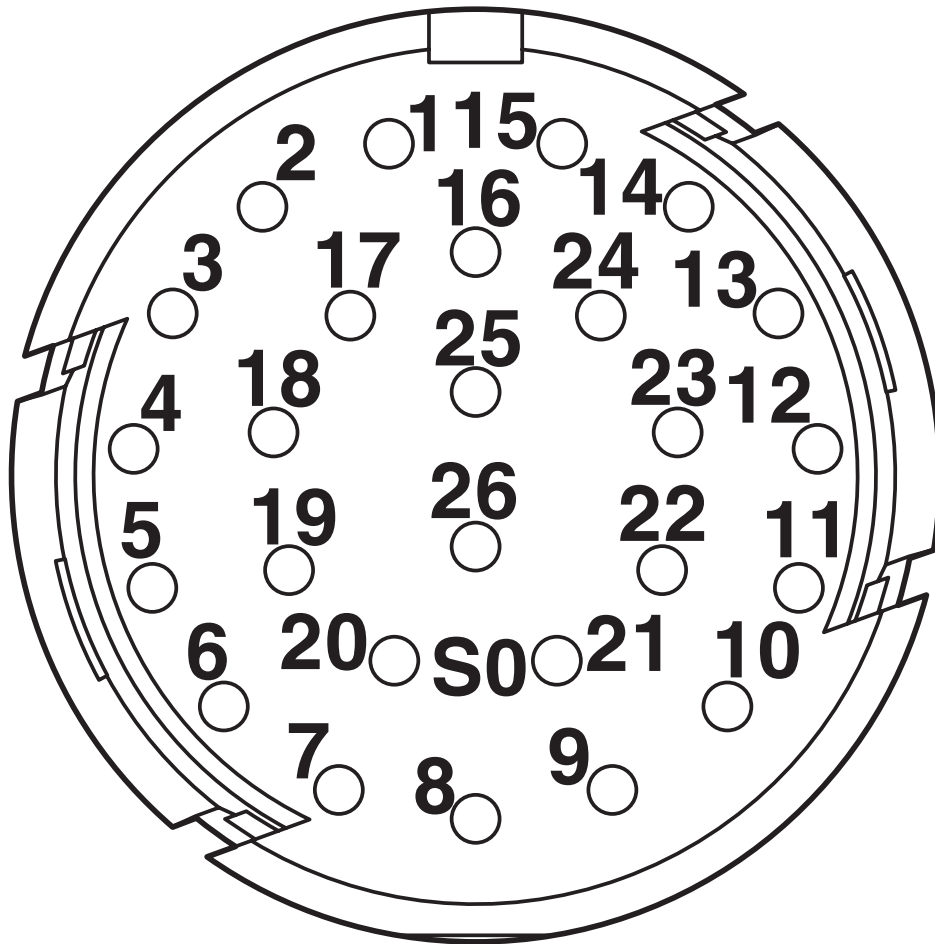
<https://www.phoenixcontact.com/us/products/1623273>

Drawings

Dimensional drawing



Schematic diagram



HC-26S1N8A90DU - Coupler connector



1623273

<https://www.phoenixcontact.com/us/products/1623273>

Classifications

UNSPSC

UNSPSC 21.0	39121400
-------------	----------

HC-26S1N8A90DU - Coupler connector



1623273

<https://www.phoenixcontact.com/us/products/1623273>

Environmental product compliance

EU RoHS

Fulfills EU RoHS substance requirements	Yes
Exemption	6(c)

China RoHS

Environment friendly use period (EFUP)	EFUP-50
	An article-related China RoHS declaration table can be found in the download area for the respective article under "Manufacturer declaration". For all articles with EFUP-E, no China RoHS declaration table issued and required.

EU REACH SVHC

REACH candidate substance (CAS No.)	Lead(CAS: 7439-92-1)
-------------------------------------	----------------------

Phoenix Contact 2026 © - all rights reserved
<https://www.phoenixcontact.com>

Phoenix Contact USA
586 Fulling Mill Road
Middletown, PA 17057, United States
(+717) 944-1300
info@phoenixcon.com