

HC-26P1N8AWF00 - Device connector front mounting



1623269

<https://www.phoenixcontact.com/us/products/1623269>

Please be informed that the data shown in this PDF document is generated from our online catalog. Please find the complete data in the user documentation. Our general terms of use for downloads are valid.



Device connector front mounting, application: Signal, straight, Screw locking mechanism, number of positions: 26, Axial O-ring, 4x Ø 3.2, shielded: yes, flange dimensions: 30 mm x 30 mm, number of positions: 26, series: HC

Commercial data

Item number	1623269
Packing unit	70 pc
Minimum order quantity	1 pc
Note	Made to order (non-returnable)
Product key	ABRAJL
GTIN	4055626272924
Weight per piece (including packing)	104.84 g
Weight per piece (excluding packing)	104.84 g
Country of origin	DE

Technical data

Notes

Order information:	Order crimp contacts Ø 1 mm separately
--------------------	--

Product properties

Product type	Circular connectors (device side)
Series	HC
Application	Signal
Number of positions	26
Connection profile	26
Shielded	yes
Coding	N
Pg screw connection	none

Dimensions

Housing

Flange dimensions	30 mm x 30 mm
-------------------	---------------

Material specifications

Seal material	FPM or NBR or EPDM
Housing material	Metal

Electrical properties

Contact

Contact diameter	1 mm
Nominal current I_N	8 A
Nominal voltage U_N	150 V
Overvoltage category	II
Degree of pollution	3
Rated surge voltage	1.5 kV

Connector

Type	straight
Direction of rotation	Standard

Environmental and real-life conditions

Ambient conditions

Degree of protection	IP67, when plugged in
----------------------	-----------------------

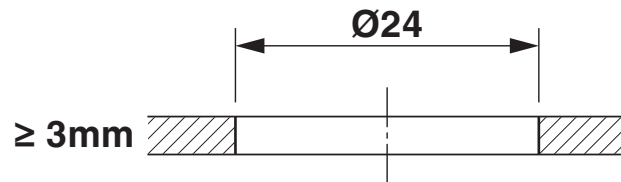
HC-26P1N8AWF00 - Device connector front mounting

1623269

<https://www.phoenixcontact.com/us/products/1623269>

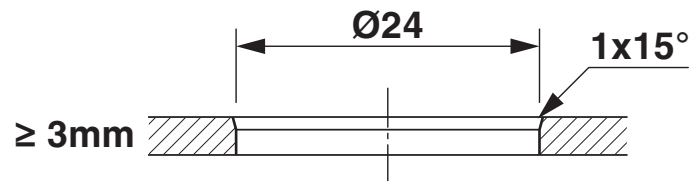
Drawings

Dimensional drawing



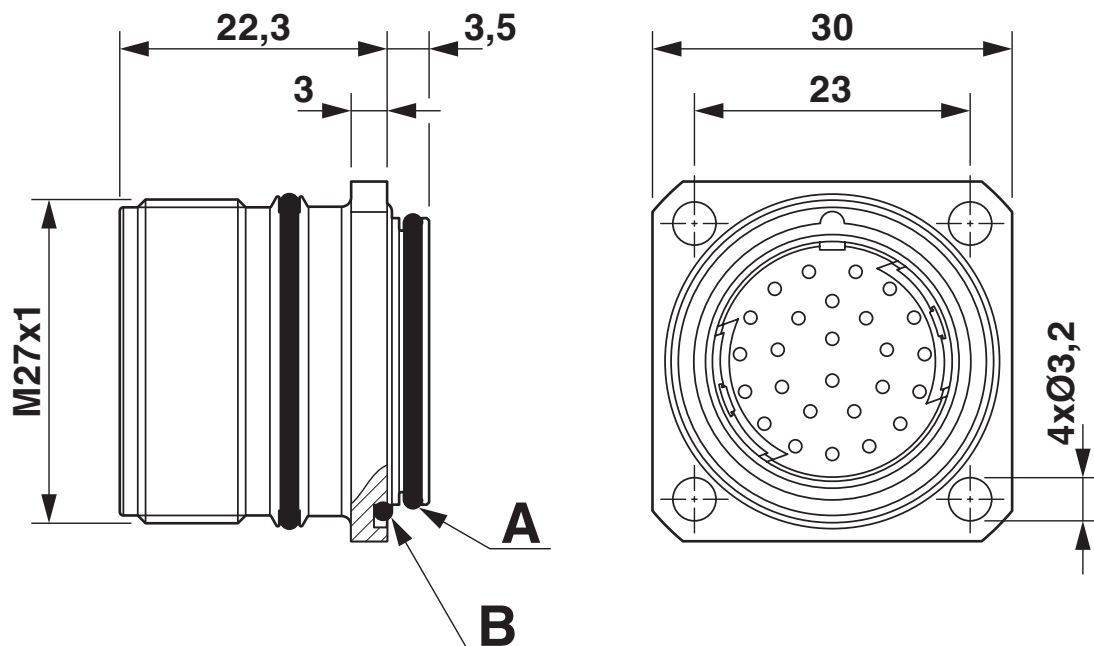
Installation dimensions O-ring axial

Dimensional drawing



Installation dimensions O-ring radial

Dimensional drawing

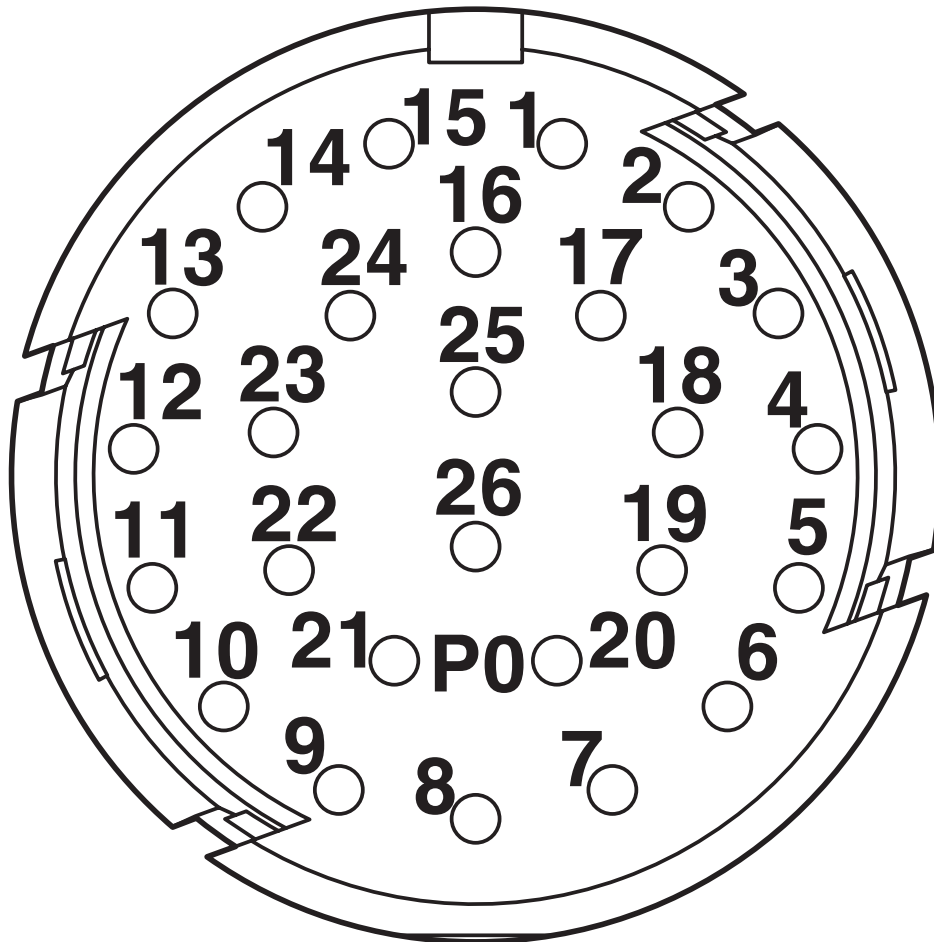


A = O-ring radial, B = O-ring axial

1623269

<https://www.phoenixcontact.com/us/products/1623269>

Schematic diagram



Phoenix Contact 2026 © - all rights reserved
<https://www.phoenixcontact.com>

Phoenix Contact USA
586 Fulling Mill Road
Middletown, PA 17057, United States
(+717) 944-1300
info@phoenixcon.com