

# HC-26P1N8A80AC - Cable connector



1623264

<https://www.phoenixcontact.com/us/products/1623264>

Please be informed that the data shown in this PDF document is generated from our online catalog. Please find the complete data in the user documentation. Our general terms of use for downloads are valid.



Cable connector, application: Signal, straight, Screw locking mechanism, M27, number of positions: 26, contact connection type: Pin, shielded: yes, cable diameter range: 11.5 mm ... 13.5 mm, number of positions: 26, connection method: Crimp connection, series: HC

## Commercial data

Item number	1623264
Packing unit	12 pc
Minimum order quantity	1 pc
Note	Made to order (non-returnable)
Product key	ABRAJA
GTIN	4055626270166
Weight per piece (including packing)	68.23 g
Weight per piece (excluding packing)	68.23 g
Country of origin	DE

# HC-26P1N8A80AC - Cable connector



1623264

<https://www.phoenixcontact.com/us/products/1623264>

## Technical data

### Notes

Order information:	Order crimp contacts Ø 1 mm separately
--------------------	--

### Product properties

Product type	Circular connector (cable-side)
Series	HC
Application	Signal
Number of positions	26
Connection profile	26
Shielded	yes
Coding	N
Thread type	M27

### Material specifications

Seal material	FPM or NBR or EPDM
Housing material	Metal

### Connection data

Conductor connection	
Connection method	Crimp connection

### Electrical properties

Contact	
Contact diameter	1 mm
Nominal current $I_N$	8 A
Nominal voltage $U_N$	150 V
Overvoltage category	II
Degree of pollution	3
Rated surge voltage	1.5 kV

### Connector

Type	straight
Direction of rotation	Standard

### Cable/line

External cable diameter	11.5 mm ... 13.5 mm
-------------------------	---------------------

### Environmental and real-life conditions

Ambient conditions	
Degree of protection	IP67, when plugged in
Ambient temperature (operation)	-20 °C ... 125 °C

# HC-26P1N8A80AC - Cable connector



1623264

<https://www.phoenixcontact.com/us/products/1623264>

Altitude	2000 m
----------	--------

# HC-26P1N8A80AC - Cable connector

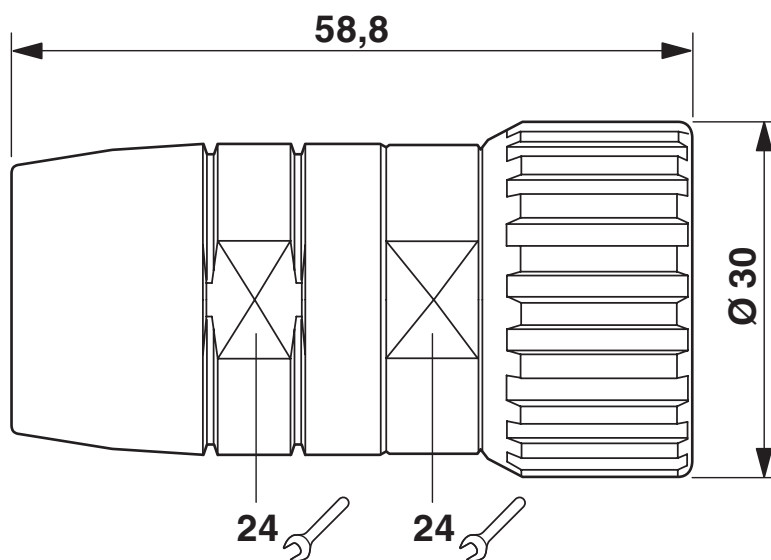
1623264

<https://www.phoenixcontact.com/us/products/1623264>



## Drawings

Dimensional drawing



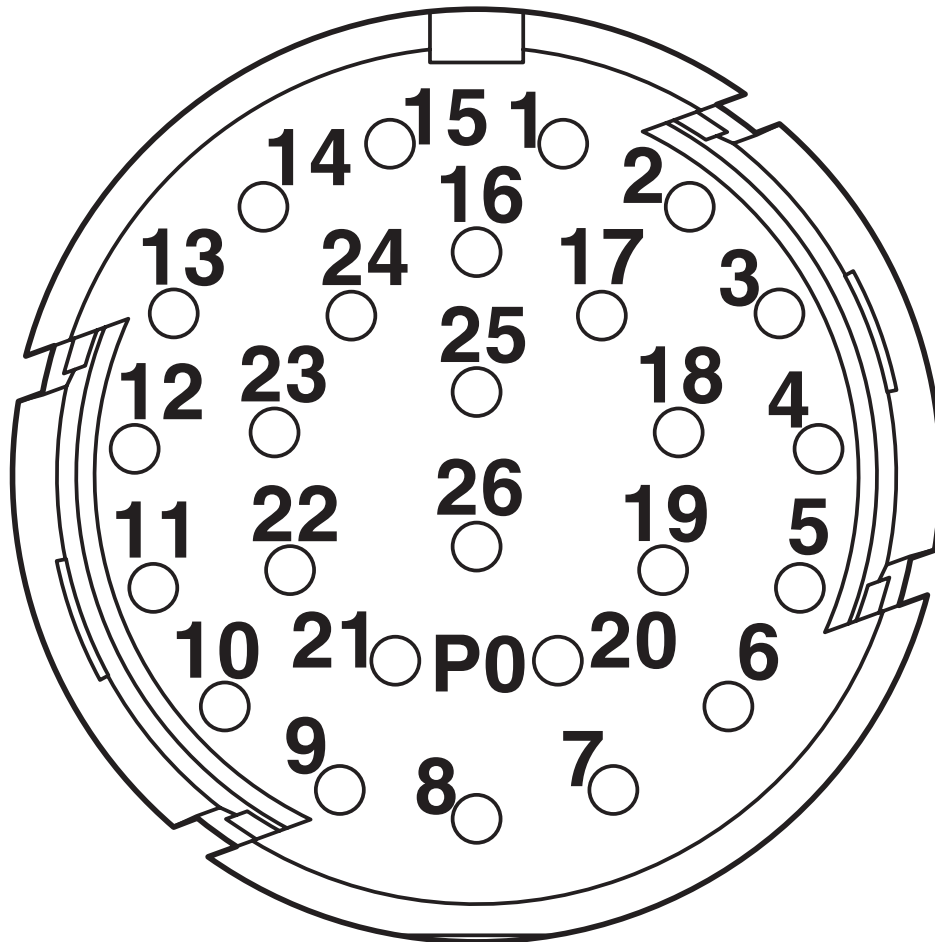
# HC-26P1N8A80AC - Cable connector



1623264

<https://www.phoenixcontact.com/us/products/1623264>

Schematic diagram



Phoenix Contact 2026 © - all rights reserved  
<https://www.phoenixcontact.com>

Phoenix Contact USA  
586 Fulling Mill Road  
Middletown, PA 17057, United States  
(+717) 944-1300  
[info@phoenixcon.com](mailto:info@phoenixcon.com)