

HC-26P1N8A2300 - Device connector front mounting



1623261

<https://www.phoenixcontact.com/us/products/1623261>

Please be informed that the data shown in this PDF document is generated from our online catalog. Please find the complete data in the user documentation. Our general terms of use for downloads are valid.



Device connector front mounting, application: Signal, straight, Screw locking mechanism, M27, number of positions: 26, contact connection type: Pin, Flat gasket, shielded: yes, number of positions: 26, connection method: Crimp connection, series: HC, this item is expected to be lead-free from Q2 2026 in accordance with RoHS II without exception 6c (Pb < 0.1%), a lead-free alternative is possible on request in advance

Commercial data

Item number	1623261
Packing unit	24 pc
Minimum order quantity	1 pc
Note	Made to order (non-returnable)
Sales key	AB31
Product key	ABRAJL
GTIN	4055626185132
Weight per piece (including packing)	38.88 g
Weight per piece (excluding packing)	35.03 g
Customs tariff number	85366990
Country of origin	DE

HC-26P1N8A2300 - Device connector front mounting



1623261

<https://www.phoenixcontact.com/us/products/1623261>

Technical data

Notes

Order information:	Order crimp contacts Ø 1 mm separately
--------------------	--

Mounting

Mounting type	Front mounting/square flange (4x Ø 3.2 mm)
---------------	--

Product properties

Product type	Circular connectors (device side)
Series	HC
Application	Signal
Number of positions	26
Connection profile	26
Shielded	yes
Coding	N
Thread type	M27

Material specifications

Flammability rating according to UL 94	V0
Housing material	Metal

Electrical properties

Contact

Contact diameter	1 mm
Nominal current I_N	8 A
Nominal voltage U_N	48 V AC
	74 V DC
Overvoltage category	III
Degree of pollution	3
Rated surge voltage	1.5 kV

Connection data

Conductor connection

Connection method	Crimp connection
Contact connection type	Pin

Connector

Type	straight
Direction of rotation	Standard

Environmental and real-life conditions

Ambient conditions

HC-26P1N8A2300 - Device connector front mounting



1623261

<https://www.phoenixcontact.com/us/products/1623261>

Degree of protection	IP67
Ambient temperature (operation)	-20 °C ... 125 °C
Altitude	2000 m

HC-26P1N8A2300 - Device connector front mounting

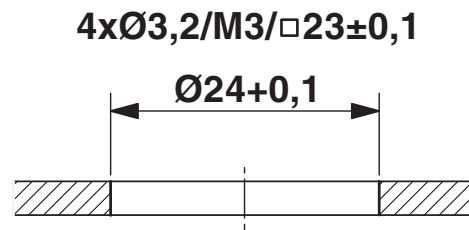


1623261

<https://www.phoenixcontact.com/us/products/1623261>

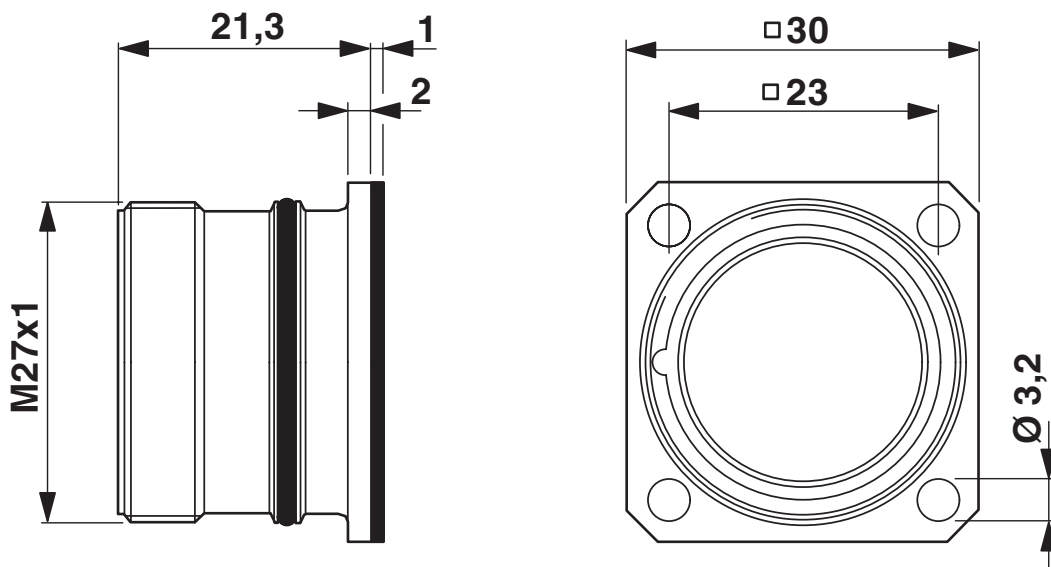
Drawings

Dimensional drawing



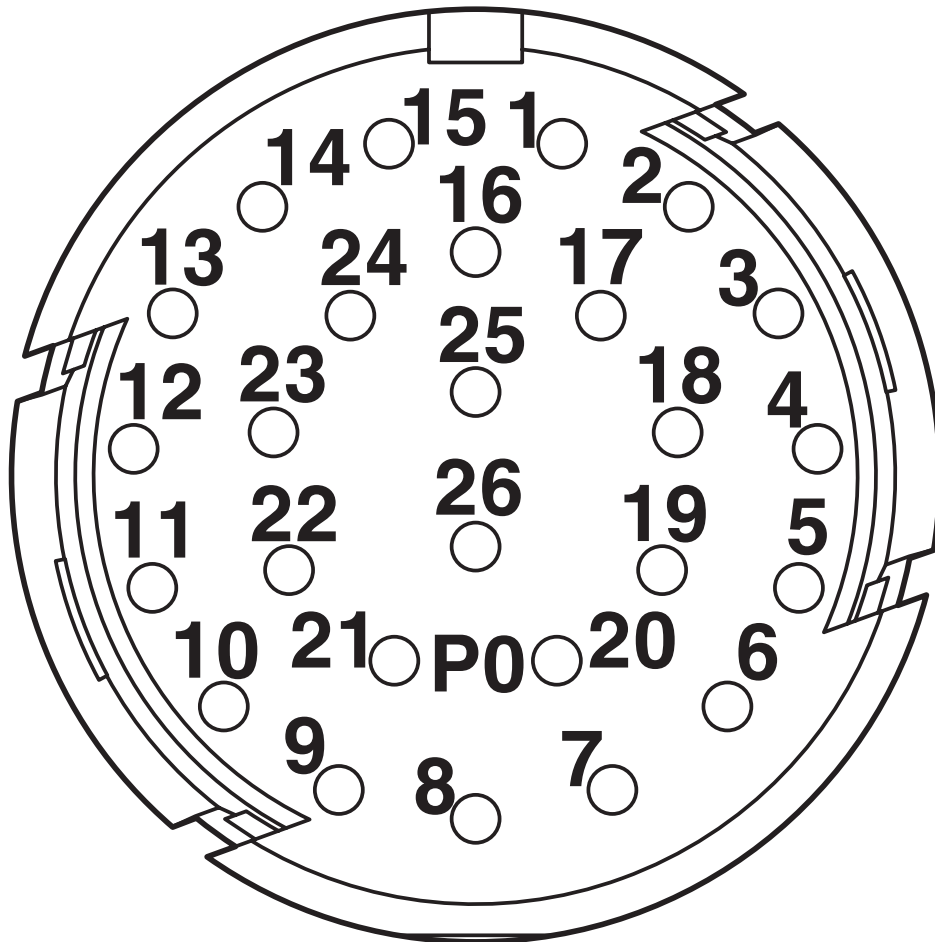
Installation dimensions

Dimensional drawing



Dimensional drawing

Schematic diagram



Connector pin assignment

HC-26P1N8A2300 - Device connector front mounting



1623261

<https://www.phoenixcontact.com/us/products/1623261>

Classifications

ECLASS

ECLASS-13.0	27440109
ECLASS-15.0	27440109

ETIM

ETIM 10.0	EC003569
-----------	----------

UNSPSC

UNSPSC 21.0	39121400
-------------	----------

1623261

<https://www.phoenixcontact.com/us/products/1623261>

Environmental product compliance

EU RoHS

Fulfills EU RoHS substance requirements	Yes
Exemption	6(c)

China RoHS

Environment friendly use period (EFUP)	EFUP-50
	An article-related China RoHS declaration table can be found in the download area for the respective article under "Manufacturer declaration". For all articles with EFUP-E, no China RoHS declaration table issued and required.

EU REACH SVHC

REACH candidate substance (CAS No.)	Lead(CAS: 7439-92-1)
SCIP	6b6243ba-3cf9-458a-8d0d-23d3edf2bf20

Phoenix Contact 2026 © - all rights reserved

<https://www.phoenixcontact.com>

Phoenix Contact USA
586 Fulling Mill Road
Middletown, PA 17057, United States
(+717) 944-1300
info@phoenixcon.com