

HC-26PDN8A80AB - Cable connector



1623258

<https://www.phoenixcontact.com/us/products/1623258>

Please be informed that the data shown in this PDF document is generated from our online catalog. Please find the complete data in the user documentation. Our general terms of use for downloads are valid.



Cable connector, application: Signal, straight, Screw locking mechanism, M27, number of positions: 26, contact connection type: Pin, number of positions: 26, connection method: Solder connection, series: HC

Commercial data

Item number	1623258
Packing unit	12 pc
Minimum order quantity	1 pc
Note	Made to order (non-returnable)
Product key	ABRAJA
GTIN	4055626273143
Weight per piece (including packing)	88 g
Weight per piece (excluding packing)	72.44 g
Country of origin	DE

HC-26PDN8A80AB - Cable connector



1623258

<https://www.phoenixcontact.com/us/products/1623258>

Technical data

Notes

Order information:	Order crimp contacts Ø 1 mm separately
--------------------	--

Product properties

Product type	Circular connector (cable-side)
Series	HC
Application	Signal
Number of positions	26
Connection profile	26
Coding	N
Thread type	M27

Material specifications

Seal material	FPM or NBR or EPDM
Housing material	Metal

Connection data

Conductor connection

Connection method	Solder connection
-------------------	-------------------

Electrical properties

Contact

Contact diameter	1 mm
Nominal voltage U_N	48 V AC 74 V DC
Overvoltage category	III
Degree of pollution	3
Rated surge voltage	1.5 kV

Connector

Type	straight
Direction of rotation	Standard

Environmental and real-life conditions

Ambient conditions

Degree of protection	IP67, when plugged in
----------------------	-----------------------

HC-26PDN8A80AB - Cable connector

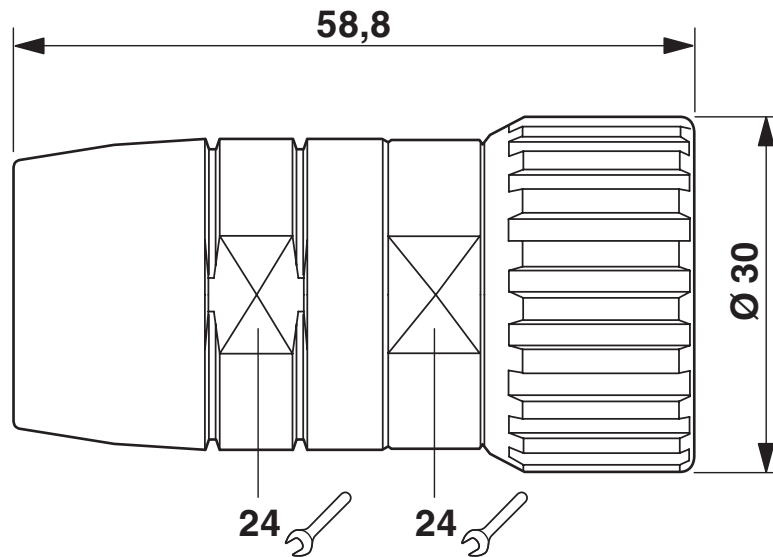
1623258

<https://www.phoenixcontact.com/us/products/1623258>



Drawings

Dimensional drawing



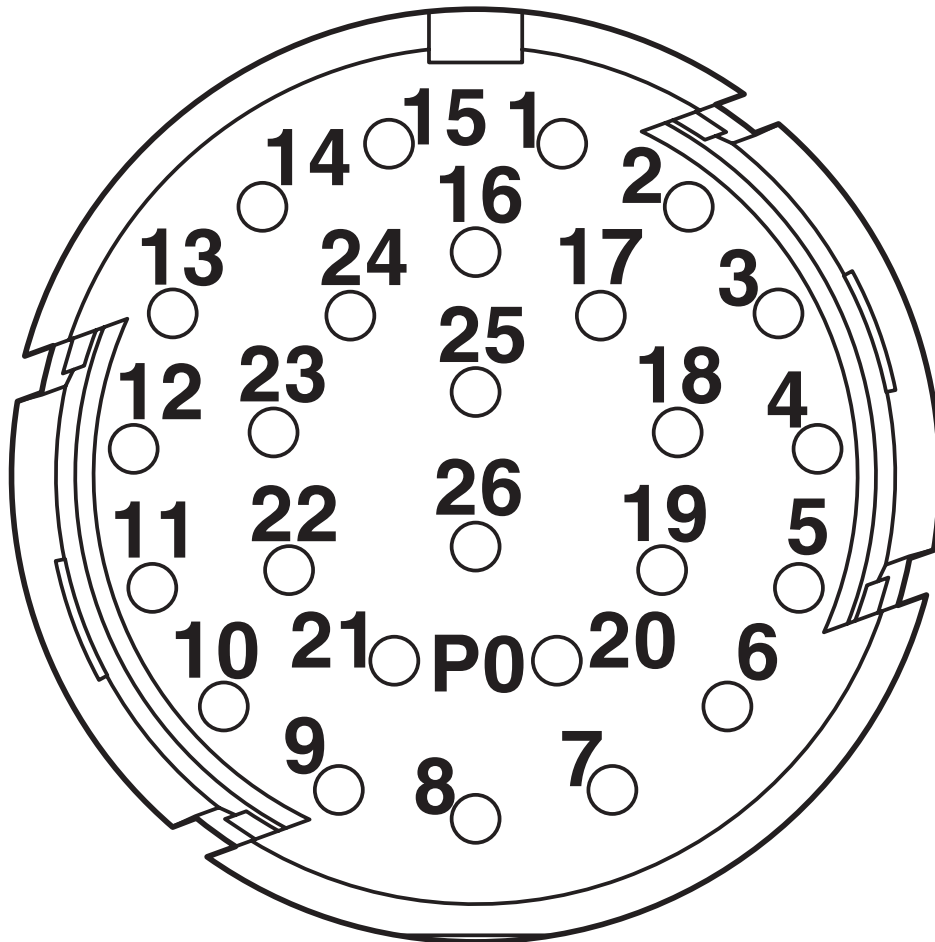
HC-26PDN8A80AB - Cable connector



1623258

<https://www.phoenixcontact.com/us/products/1623258>

Schematic diagram



HC-26PDN8A80AB - Cable connector



1623258

<https://www.phoenixcontact.com/us/products/1623258>

Classifications

ECLASS

ECLASS-13.0	27440116
-------------	----------

UNSPSC

UNSPSC 21.0	39121400
-------------	----------

HC-26PDN8A80AB - Cable connector



1623258

<https://www.phoenixcontact.com/us/products/1623258>

Environmental product compliance

EU RoHS

Fulfills EU RoHS substance requirements	Yes
Exemption	6(c)

China RoHS

Environment friendly use period (EFUP)	EFUP-50
	An article-related China RoHS declaration table can be found in the download area for the respective article under "Manufacturer declaration". For all articles with EFUP-E, no China RoHS declaration table issued and required.

EU REACH SVHC

REACH candidate substance (CAS No.)	Lead(CAS: 7439-92-1)
-------------------------------------	----------------------

Phoenix Contact 2026 © - all rights reserved
<https://www.phoenixcontact.com>

Phoenix Contact USA
586 Fulling Mill Road
Middletown, PA 17057, United States
(+717) 944-1300
info@phoenixcon.com