

HC-26P1N8A90DU - Coupler connector



1623254

<https://www.phoenixcontact.com/us/products/1623254>

Please be informed that the data shown in this PDF document is generated from our online catalog. Please find the complete data in the user documentation. Our general terms of use for downloads are valid.



Coupler connector, application: Signal, straight, Screw locking mechanism, M27, number of positions: 26, contact connection type: Pin, shielded: yes, degree of protection: IP67, cable diameter range: 2 mm ... 14.5 mm, number of positions: 26, connection method: Crimp connection, series: HC

The figure shows the product with assembled crimp contacts. Please order crimp contacts separately.

Commercial data

Item number	1623254
Packing unit	12 pc
Minimum order quantity	12 pc
Note	Made to order (non-returnable)
Sales key	AB31
Product key	ABRAJG
GTIN	4055626272900
Weight per piece (including packing)	94.725 g
Weight per piece (excluding packing)	86.609 g
Customs tariff number	85366990
Country of origin	DE

HC-26P1N8A90DU - Coupler connector



1623254

<https://www.phoenixcontact.com/us/products/1623254>

Technical data

Notes

Order information:	Order crimp contacts Ø 1 mm separately
--------------------	--

Product properties

Product type	Circular connector (cable-side)
Series	HC
Application	Signal
Number of positions	26
Connection profile	26
Shielded	yes
Coding	N
Thread type	M27

Material specifications

Material Housing	Metal
Seal material	NBR

Connection data

Conductor connection	
Connection method	Crimp connection

Electrical properties

Contact	
Contact diameter	1 mm
Nominal current I_N	8 A
Nominal voltage U_N	48 V AC
	74 V DC
Overvoltage category	III
Degree of pollution	3
Rated surge voltage	1.5 kV

Connector

Type	straight
Direction of rotation	Standard

Connection 1	
Head design	Pin

Cable/line

External cable diameter	2 mm ... 14.5 mm
-------------------------	------------------

Environmental and real-life conditions

HC-26P1N8A90DU - Coupler connector



1623254

<https://www.phoenixcontact.com/us/products/1623254>

Ambient conditions

Degree of protection	IP67
Ambient temperature (operation)	-20 °C ... 125 °C
Altitude	2000 m

HC-26P1N8A90DU - Coupler connector

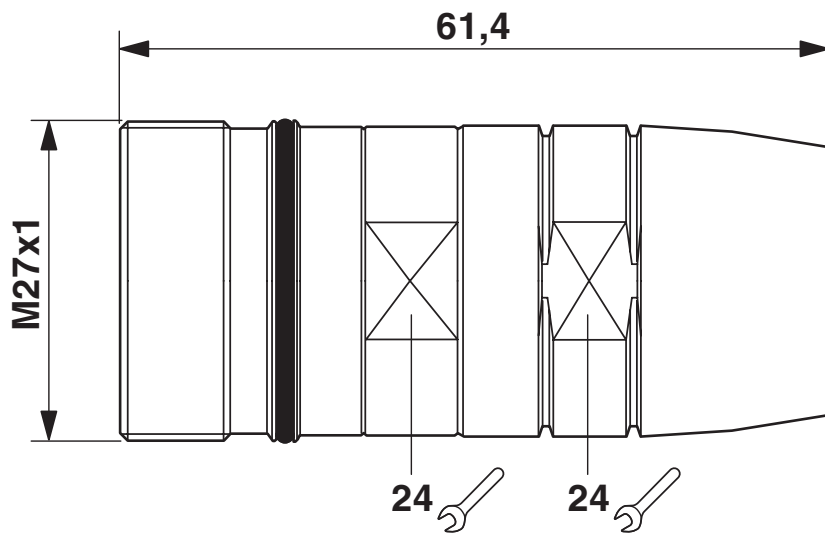


1623254

<https://www.phoenixcontact.com/us/products/1623254>

Drawings

Dimensional drawing



Dimensional drawing

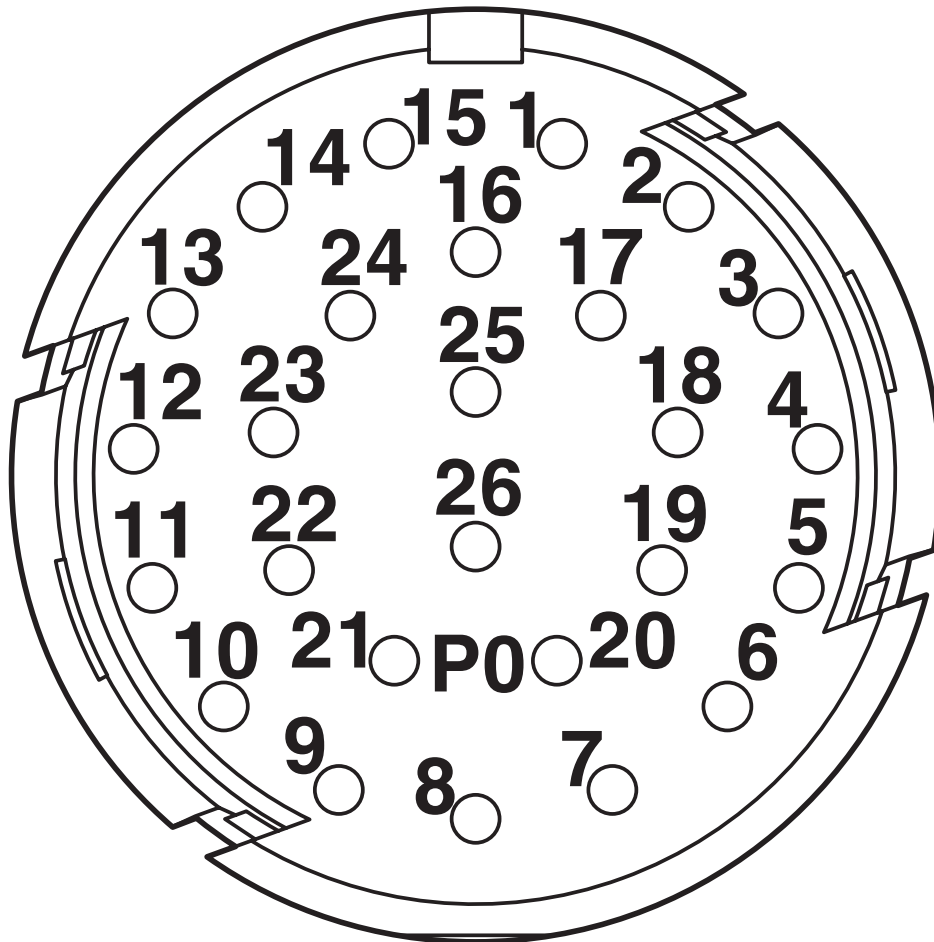
HC-26P1N8A90DU - Coupler connector



1623254

<https://www.phoenixcontact.com/us/products/1623254>

Schematic diagram



Connector pin assignment

HC-26P1N8A90DU - Coupler connector



1623254

<https://www.phoenixcontact.com/us/products/1623254>

Classifications

ECLASS

ECLASS-13.0	27440116
ECLASS-15.0	27440116

ETIM

ETIM 10.0	EC002635
-----------	----------

UNSPSC

UNSPSC 21.0	39121400
-------------	----------

HC-26P1N8A90DU - Coupler connector



1623254

<https://www.phoenixcontact.com/us/products/1623254>

Environmental product compliance

EU RoHS

Fulfills EU RoHS substance requirements	Yes
Exemption	6(c)

China RoHS

Environment friendly use period (EFUP)	EFUP-50
	An article-related China RoHS declaration table can be found in the download area for the respective article under "Manufacturer declaration". For all articles with EFUP-E, no China RoHS declaration table issued and required.

EU REACH SVHC

REACH candidate substance (CAS No.)	Lead(CAS: 7439-92-1)
SCIP	0a3a0dfe-fa8e-4852-aa22-267fa7119b8c

Phoenix Contact 2026 © - all rights reserved

<https://www.phoenixcontact.com>

Phoenix Contact USA
586 Fulling Mill Road
Middletown, PA 17057, United States
(+717) 944-1300
info@phoenixcon.com