

SH-Z2303 - Metal protective cap

1622138

<https://www.phoenixcontact.com/us/products/1622138>

Please be informed that the data shown in this PDF document is generated from our online catalog. Please find the complete data in the user documentation. Our general terms of use for downloads are valid.



Metal protective cap, Screw locking mechanism, M23, series: SH, this item is expected to be lead-free from Q1 2027 in accordance with RoHS II without exception 6c (Pb < 0.1%), a lead-free alternative is possible on request in advance

Commercial data

Item number	1622138
Packing unit	10 pc
Minimum order quantity	10 pc
Note	Made to order (non-returnable)
Product key	ABRCDU
GTIN	4055626067001
Weight per piece (including packing)	32.59 g
Weight per piece (excluding packing)	32.372 g
Country of origin	DE

SH-Z2303 - Metal protective cap

1622138

<https://www.phoenixcontact.com/us/products/1622138>



Technical data

Product properties

Product type	Protective cap
Series	SH
Thread type	M23

Environmental and real-life conditions

Ambient conditions

Degree of protection	IP67/68/69K
----------------------	-------------

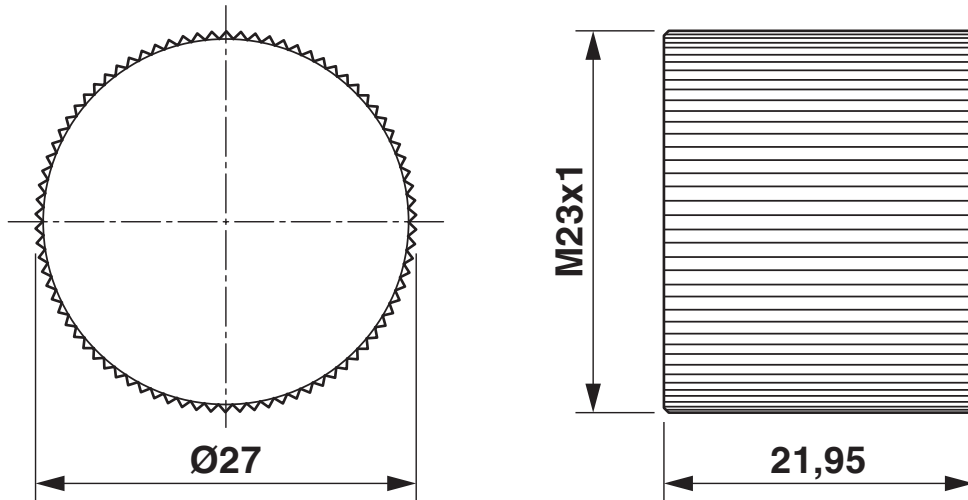
SH-Z2303 - Metal protective cap

1622138

<https://www.phoenixcontact.com/us/products/1622138>

Drawings

Dimensional drawing



Dimensional drawing

SH-Z2303 - Metal protective cap



1622138

<https://www.phoenixcontact.com/us/products/1622138>

Classifications

ECLASS

ECLASS-13.0	27440208
ECLASS-15.0	27440208

ETIM

ETIM 10.0	EC002314
-----------	----------

UNSPSC

UNSPSC 21.0	39121400
-------------	----------

SH-Z2303 - Metal protective cap



1622138

<https://www.phoenixcontact.com/us/products/1622138>

Environmental product compliance

EU RoHS

Fulfills EU RoHS substance requirements	Yes
Exemption	6(c)

China RoHS

Environment friendly use period (EFUP)	EFUP-50
	An article-related China RoHS declaration table can be found in the download area for the respective article under "Manufacturer declaration". For all articles with EFUP-E, no China RoHS declaration table issued and required.

EU REACH SVHC

REACH candidate substance (CAS No.)	Lead(CAS: 7439-92-1)
SCIP	bf55b752-4dfa-448b-96fa-44b133cfcc6b

Phoenix Contact 2026 © - all rights reserved

<https://www.phoenixcontact.com>

Phoenix Contact USA
586 Fulling Mill Road
Middletown, PA 17057, United States
(+717) 944-1300
info@phoenixcon.com