

EV-T2M3PC-3AC32A-12M6,0ESBK00 - AC charging cable



1622092

<https://www.phoenixcontact.com/us/products/1622092>

Please be informed that the data shown in this PDF document is generated from our online catalog. Please find the complete data in the user documentation. Our general terms of use for downloads are valid.

CHARX connect, Type 2, cable: 12 m, straight, IEC 62196-2, Mobile AC charging cable with vehicle connector and infrastructure plug, with protective cap, NOTE: The capacitance between CP and PE exceeds the normative guideline value of 1500 pF.



Product description

Mobile AC charging cable with vehicle charging connector and infrastructure charging plug for charging electric vehicles (EV) with alternating current (AC) via type 2 vehicle charging inlets, compatible with type 2 infrastructure charging sockets at charging stations for e-mobility (EVSE)

Your advantages

- Consistent design of all Phoenix Contact Vehicle Connectors and Infrastructure Plugs
- Silver-plated surface of the power and signal contacts
- Developed and produced in accordance with the IATF 16949 automotive standard and ISO 9001
- Convenient handling, thanks to the ergonomic handle and additional, rubber grip components

Commercial data

| | |
|--------------------------------------|---------------|
| Item number | 1622092 |
| Packing unit | 1 pc |
| Minimum order quantity | 1 pc |
| Product key | XWBAEC |
| GTIN | 4055626009971 |
| Weight per piece (including packing) | 7.26 kg |
| Weight per piece (excluding packing) | 6.7 kg |
| Country of origin | DE |

EV-T2M3PC-3AC32A-12M6,0ESBK00 - AC charging cable



1622092

<https://www.phoenixcontact.com/us/products/1622092>

Technical data

Product properties

| | |
|-------------------|-------------------|
| Product type | AC charging cable |
| Product family | CHARX connect |
| Charging standard | Type 2 |
| Charging mode | Mode 3, Case B |

Electrical properties

Charging power and current (AC charging, 3-phase)

| | |
|--------------------------|-------------------|
| Type of charging current | AC 3-phase |
| Charging current | 32 A AC (3-phase) |
| Charging power | 26.6 kW (3-phase) |
| Rated voltage | 480 V |

Cable/line

| | |
|------------------------------|---|
| Cable length | 12 m |
| Wiring standards/regulations | prEN 50620/DIN EN 50620 |
| Wiring certifications | VDE |
| Cable weight | max. 505.00 kg/km |
| Cable type | Class 5 |
| Cable type | straight |
| Cable structure | 5 x 6.0 mm ² + 1 x 0.5 mm ² |
| External cable diameter | 17.00 mm ±0.4 mm |
| Outer sheath, material | TPE-U |
| Cable resistance | ≤ 0.0033 Ω/m (based on a power core, at an ambient temperature of 20°C) |
| Bending radius | min. 127.5 mm (7.5x diameter) |
| Cable length | 12 m |
| External cable diameter | 17.00 mm ±0.4 mm |
| Cable type | Class 5 |
| Wiring certifications | VDE |
| Wiring standards/regulations | prEN 50620/DIN EN 50620 |
| Cable resistance | ≤ 0.0033 Ω/m (based on a power core, at an ambient temperature of 20°C) |

Standards and regulations

Standards

| | |
|-----------------------|-------------|
| Standards/regulations | IEC 62196-2 |
|-----------------------|-------------|

EV-T2M3PC-3AC32A-12M6,0ESBK00 - AC charging cable

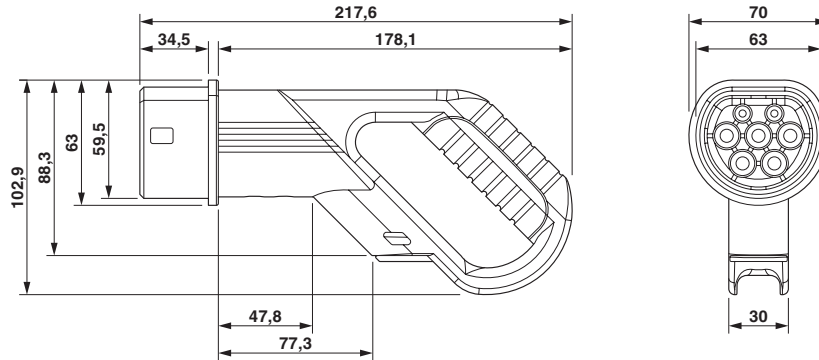


1622092

<https://www.phoenixcontact.com/us/products/1622092>

Drawings

Dimensional drawing



Vehicle connector

Dimensional drawing



Infrastructure plug

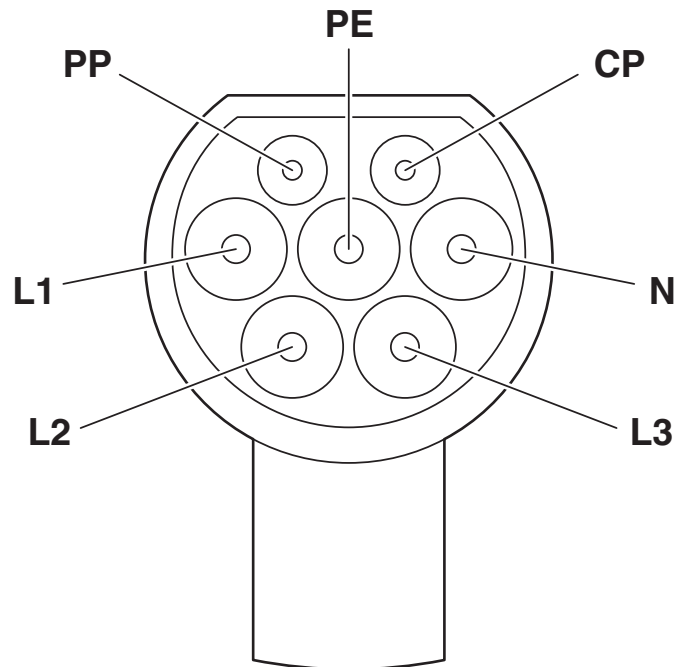
EV-T2M3PC-3AC32A-12M6,0ESBK00 - AC charging cable



1622092

<https://www.phoenixcontact.com/us/products/1622092>

Connection diagram



Pin assignment of Infrastructure Plug

EV-T2M3PC-3AC32A-12M6,0ESBK00 - AC charging cable

1622092

<https://www.phoenixcontact.com/us/products/1622092>

Schematic diagram



Operating instructions

EV-T2M3PC-3AC32A-12M6,0ESBK00 - AC charging cable

1622092

<https://www.phoenixcontact.com/us/products/1622092>

Schematic diagram



Pin assignment of the Vehicle Connector

EV-T2M3PC-3AC32A-12M6,0ESBK00 - AC charging cable



1622092

<https://www.phoenixcontact.com/us/products/1622092>

Classifications

UNSPSC

| | |
|-------------|----------|
| UNSPSC 21.0 | 39121522 |
|-------------|----------|

EV-T2M3PC-3AC32A-12M6,0ESBK00 - AC charging cable



1622092

<https://www.phoenixcontact.com/us/products/1622092>

Environmental product compliance

China RoHS

| | |
|--|---|
| Environment friendly use period (EFUP) | EFUP-10 |
| | An article-related China RoHS declaration table can be found in the download area for the respective article under "Manufacturer declaration". For all articles with EFUP-E, no China RoHS declaration table issued and required. |

EU REACH SVHC

| | |
|-------------------------------------|----------------------------|
| REACH candidate substance (CAS No.) | No substance above 0.1 wt% |
|-------------------------------------|----------------------------|

Phoenix Contact 2026 © - all rights reserved
<https://www.phoenixcontact.com>

Phoenix Contact USA
586 Fulling Mill Road
Middletown, PA 17057, United States
(+717) 944-1300
info@phoenixcon.com