

PV-CM/CF-PRC-5FC/FS6-SET K02 - Connector



1622077

<https://www.phoenixcontact.com/us/products/1622077>

Please be informed that the data shown in this PDF document is generated from our online catalog. Please find the complete data in the user documentation. Our general terms of use for downloads are valid.

Inverter connection kit consisting of 1x AC field connector of the PRC series and 4x "SUNCLIX" DC field connectors (2 pairs)



Product description

The set consists of a 5-pos. PRC field connector for conductor cross-sections from 1.5 mm² to 6.0 mm² and conductor outside diameters from 8 mm to 21 mm, plus four 1-pos SUNCLIX field connectors (2x coupling, 2x connector) for conductor cross-sections of 2.5 mm² to 6.0 mm².

Commercial data

Item number	1622077
Packing unit	1 pc
Minimum order quantity	25 pc
Product key	ABLCBA
GTIN	4055626041124
Weight per piece (including packing)	166.06 g
Weight per piece (excluding packing)	153.932 g
Country of origin	PL

Technical data

Notes

Order information:	The technical data for individual products is to be found in the corresponding data sheets.
--------------------	---

Safety note

Safety note	<ul style="list-style-type: none"> • WARNING: Commission properly functioning products only. The products must be regularly inspected for damage. Decommission defective products immediately. Replace damaged products. Repairs are not possible. • WARNING: Only electrically qualified personnel may install and operate the product. They must observe the following safety notes. The qualified personnel must be familiar with the basics of electrical engineering. They must be able to recognize and prevent danger. The relevant symbol on the packaging indicates that only personnel familiar with electrical engineering are allowed to install and operate the product. WARNING: The connectors may not be plugged in or disconnected under load. Ignoring the warning or improper use may damage persons and/or property. • Assembled products may not be manipulated or improperly opened. • Only use mating connectors that are specified in the technical data of the standards listed (e.g. the ones listed in the product accessories online at phoenixcontact.com/products). • When using the product in direct connection with third-party manufacturers, the user is responsible. • For operating voltages > 50 V AC, conductive connector housings must be grounded • Ensure that the protective or functional ground has been properly connected. • VDE 0100/1.97 § 411.1.3.2 and DIN EN 60 204/11.98 § 14.1.3 are applicable when combining several circuits in a cable and/or connector • Observe the corresponding technical data. You will find information: <ul style="list-style-type: none"> o On the product o On the packing label o In the supplied documentation o Online at phoenixcontact.com/products under the product • Only use tools recommended by Phoenix Contact • The installation notes/Design In documents online on the download page at phoenixcontact.com/products must be observed for this product. • Use a protective cap to protect connectors that are not in use. The suitable accessories are available online in the accessory section of the product at phoenixcontact.com/products • Operate the connector only when it is fully plugged in. • Operate the connector only when it is fully plugged in and interlocked. • Ensure that when laying the cable, the tensile load on the connectors does not exceed the upper limit specified in the
-------------	--

PV-CM/CF-PRC-5FC/FS6-SET K02 - Connector



1622077

<https://www.phoenixcontact.com/us/products/1622077>

	standards.
	<ul style="list-style-type: none">• Observe the minimum bending radius of the cable. Lay the cable without twisting it.
	<ul style="list-style-type: none">• The connector warms up in normal operation. Depending on the ambient conditions, the surface of the connector can continue to warm up. In this case, the user is responsible for posting warnings (e.g. DIN EN ISO 13732-1:2008-12).

Product properties

Product type	Installation connector
Product family	PRC 35
Set comprises	1410656 PRC 5-FC-FS6 8-21 1774687 PV-CM-S 2,5-6 (-) 1774674 PV-CF-S 2,5-6 (+)

Insulation characteristics

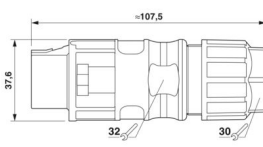
Protection class	II
Degree of pollution	2

Connection data

Conductor connection

Conductor cross-section	1.5 mm ² ... 6 mm ²
-------------------------	---

Dimensions

Dimensional drawing	
Width	37.6 mm
Height	37.6 mm
Length	105 mm

External dimensions

Outside diameter	5-pos. PRC connector
------------------	----------------------

Material specifications

Color (Housing)	black (RAL 9005)
Color of the housing part	black
Material Seal	EPDM
Material Contact carrier	PPE
Material Housing	PPE
Material Contact	Cu
Flammability rating according to UL 94	V0
Insulating material group	I / CTI 600
Cable seal material	EPDM

PV-CM/CF-PRC-5FC/FS6-SET K02 - Connector



1622077

<https://www.phoenixcontact.com/us/products/1622077>

O-ring material	EPDM
Material for screw connection	PPE

Cable/line

External cable diameter	8 mm ... 21 mm
-------------------------	----------------

Environmental and real-life conditions

Ambient conditions

Ambient temperature (operation)	-40 °C ... 100 °C (for 5-pos. PRC connector depending on the derating curve)
	-40 °C ... 85 °C (for SUNCLIX connector)
Ambient temperature (assembly)	5 °C ... 85 °C

PV-CM/CF-PRC-5FC/FS6-SET K02 - Connector



1622077

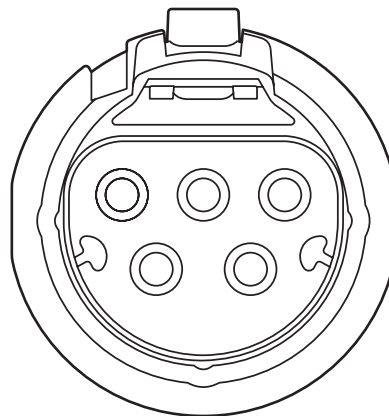
<https://www.phoenixcontact.com/us/products/1622077>

Drawings

Dimensional drawing



Schematic diagram



Connector pin assignment

PV-CM/CF-PRC-5FC/FS6-SET K02 - Connector





1622077


<https://www.phoenixcontact.com/us/products/1622077>

Approvals

To download certificates, visit the product detail page: <https://www.phoenixcontact.com/us/products/1622077>

 TÜV Rheinland Approval ID: R 60168292 0001				
	Nominal voltage U_N	Nominal current I_N	Cross section AWG	Cross section mm^2
keine				
	690 V	35 A	-	-

 TÜV Rheinland Approval ID: R 60117908				
	Nominal voltage U_N	Nominal current I_N	Cross section AWG	Cross section mm^2
keine				
	500 V	21.4 A	-	-

 TÜV Rheinland Approval ID: R 60168255 0001				
	Nominal voltage U_N	Nominal current I_N	Cross section AWG	Cross section mm^2
keine				
	500 V	32 A	-	-

DNV Approval ID: TAE00002KM				
---------------------------------------	--	--	--	--

PV-CM/CF-PRC-5FC/FS6-SET K02 - Connector



1622077

<https://www.phoenixcontact.com/us/products/1622077>

Classifications

ECLASS

ECLASS-13.0	27440605
ECLASS-15.0	27440605

ETIM

ETIM 10.0	EC002560
-----------	----------

UNSPSC

UNSPSC 21.0	39121400
-------------	----------

1622077

<https://www.phoenixcontact.com/us/products/1622077>

Environmental product compliance

EU RoHS

Fulfills EU RoHS substance requirements	Yes, No exemptions
---	--------------------

China RoHS

Environment friendly use period (EFUP)	EFUP-E
	No hazardous substances above the limits

EU REACH SVHC

REACH candidate substance (CAS No.)	Triphenyl phosphate(CAS: 115-86-6)
SCIP	b349a9ef-19cc-4ff8-8389-73a68309047a

Phoenix Contact 2026 © - all rights reserved

<https://www.phoenixcontact.com>

Phoenix Contact USA
586 Fulling Mill Road
Middletown, PA 17057, United States
(+717) 944-1300
info@phoenixcon.com