

RC-07S1N8AQ0V7 - Crimp contact



1621816

<https://www.phoenixcontact.com/us/products/1621816>

Please be informed that the data shown in this PDF document is generated from our online catalog. Please find the complete data in the user documentation. Our general terms of use for downloads are valid.

Crimp contact



Commercial data

Item number	1621816
Packing unit	10 pc
Minimum order quantity	1 pc
Note	Made to order (non-returnable)
Product key	ABRAFJ
GTIN	4046356982948
Weight per piece (including packing)	88.88 g
Weight per piece (excluding packing)	88.88 g
Country of origin	DE

RC-07S1N8AQ0V7 - Crimp contact



1621816

<https://www.phoenixcontact.com/us/products/1621816>

Technical data

Notes

Order information:

Order crimp contacts Ø 2 mm separately

Product properties

Product type

Circular connector (cable-side)

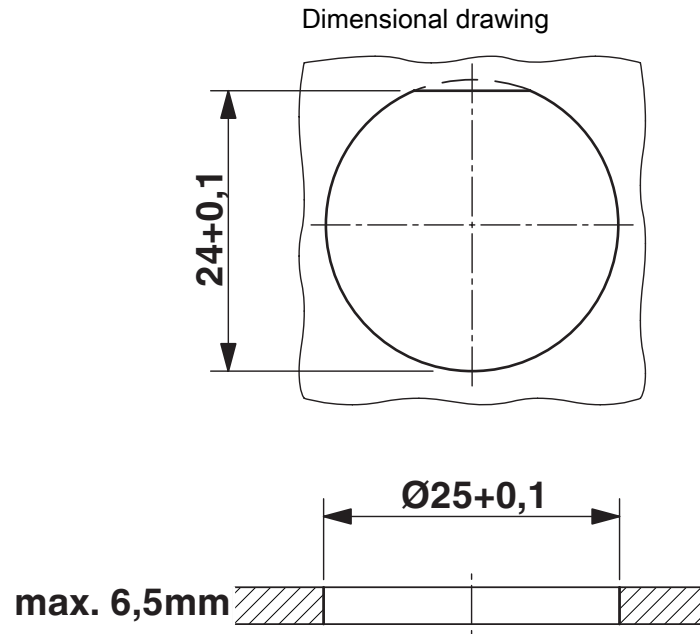
RC-07S1N8AQ0V7 - Crimp contact



1621816

<https://www.phoenixcontact.com/us/products/1621816>

Drawings



Installation dimensions

Phoenix Contact 2026 © - all rights reserved
<https://www.phoenixcontact.com>

Phoenix Contact USA
586 Fulling Mill Road
Middletown, PA 17057, United States
(+717) 944-1300
info@phoenixcon.com