

EV-T1M3C-1AC20A-4,0M2,5EHBK00 - AC charging cable



1621670

<https://www.phoenixcontact.com/us/products/1621670>

Please be informed that the data shown in this PDF document is generated from our online catalog. Please find the complete data in the user documentation. Our general terms of use for downloads are valid.

CHARX connect, Type 1, cable: 4 m, spiraled, IEC 62196-2, SAE J1772, AC charging cable with Vehicle Connector, open cable end, with protective cap



Product description

AC charging cable with vehicle charging connector and free cable end for charging electric vehicles (EV) with alternating current (AC) via type 1 vehicle charging inlets, for installation at charging stations for e-mobility (EVSE)

Your advantages

- Consistent design of all Phoenix Contact Vehicle Connectors and Infrastructure Plugs
- Silver-plated surface of the power and signal contacts
- Developed and produced in accordance with the IATF 16949 automotive standard and ISO 9001
- Convenient handling, thanks to the ergonomic handle and additional, rubber grip components

Commercial data

| | |
|--------------------------------------|---------------|
| Item number | 1621670 |
| Packing unit | 1 pc |
| Minimum order quantity | 1 pc |
| Product key | XWBAAA |
| GTIN | 4046356958639 |
| Weight per piece (including packing) | 1.674 kg |
| Weight per piece (excluding packing) | 1.614 kg |
| Country of origin | DE |

EV-T1M3C-1AC20A-4,0M2,5EHBK00 - AC charging cable



1621670

<https://www.phoenixcontact.com/us/products/1621670>

Technical data

Product properties

| | |
|-------------------|-------------------|
| Product type | AC charging cable |
| Product family | CHARX connect |
| Charging standard | Type 1 |
| Charging mode | Mode 3, Case C |

Electrical properties

Charging power and current (AC charging, 1-phase)

| | |
|--------------------------|-------------------|
| Type of charging current | AC single-phase |
| Charging current | 20 A AC (1-phase) |
| Charging power | 5 kW |

Cable/line

| | |
|--------------------------------|--|
| Cable length | 4 m |
| Wiring standards/regulations | prEN 50620/DIN EN 50620 |
| Wiring certifications | VDE |
| Cable type | Class 5 |
| Cable type | spiraled |
| Cable structure | 3 x 2.5 mm ² + 1 x 0.5 mm ² |
| External cable diameter | 10.20 mm ±0.3 mm |
| Outer sheath, material | TPE-U |
| Stripping length of the sheath | 45 mm ±10 mm |
| Block length | 0.68 m ±10 % |
| Coil diameter | 45 mm ±10 % |
| Effective length | max. 4 m ±5 % |
| Stripping length | 45 mm ±10 mm |
| Cable resistance | ≤ 0.00798 Ω/m (based on a power core, at an ambient temperature of 20°C) |
| Bending radius | min. 153 mm (15x diameter) |
| Cable length | 4 m |
| Stripping length | 45 mm ±10 mm |
| External cable diameter | 10.20 mm ±0.3 mm |
| Cable type | Class 5 |
| Wiring certifications | VDE |
| Wiring standards/regulations | prEN 50620/DIN EN 50620 |
| Cable resistance | ≤ 0.00798 Ω/m (based on a power core, at an ambient temperature of 20°C) |

Standards and regulations

Standards

| | |
|-----------------------|-------------|
| Standards/regulations | IEC 62196-2 |
|-----------------------|-------------|

EV-T1M3C-1AC20A-4,0M2,5EHBK00 - AC charging cable



1621670

<https://www.phoenixcontact.com/us/products/1621670>

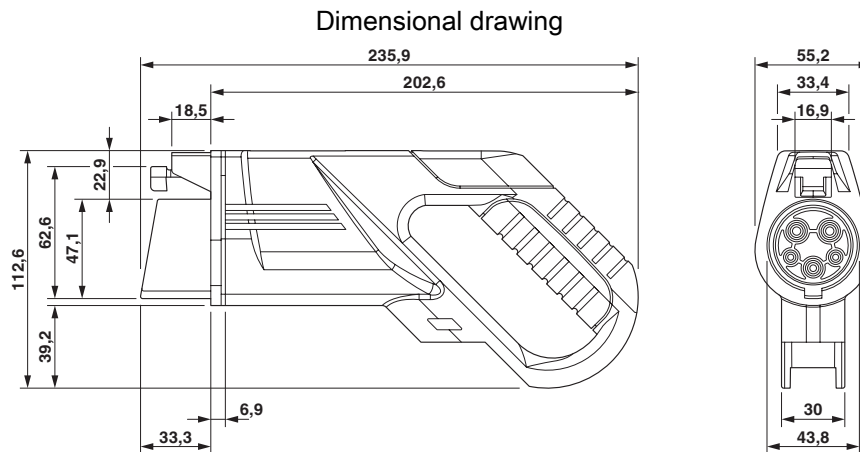
SAE J1772

EV-T1M3C-1AC20A-4,0M2,5EHBK00 - AC charging cable

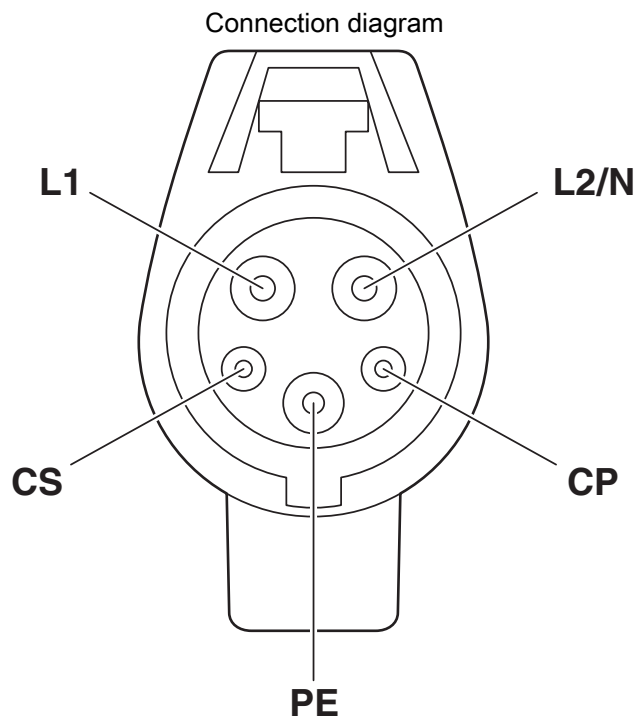
1621670

<https://www.phoenixcontact.com/us/products/1621670>

Drawings



Make sure that the vehicle charging connector is placed in an appropriate charging connector holder, which ensures a minimum protection rating of IP24 in accordance with IEC 61851-1, for the entire time between charging. To create this charging connector holder, use the dimensions of the vehicle charging connector. Detailed dimensions can also be found in the Download area.



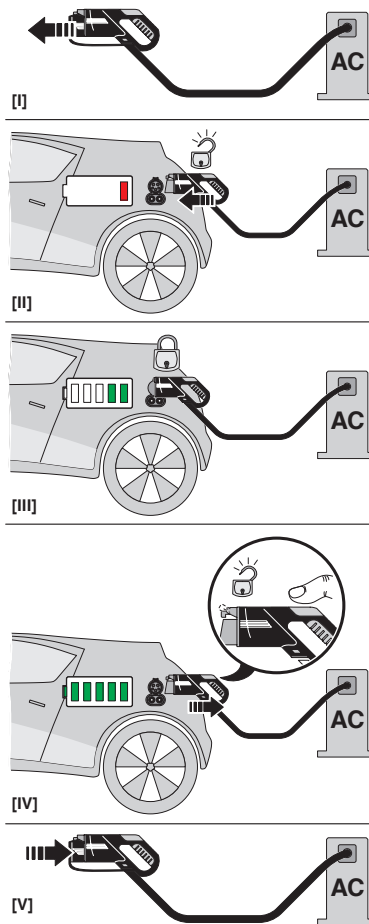
Pin assignment of the Vehicle Connector

EV-T1M3C-1AC20A-4,0M2,5EHBK00 - AC charging cable

1621670

<https://www.phoenixcontact.com/us/products/1621670>

Schematic diagram



Operating instructions

EV-T1M3C-1AC20A-4,0M2,5EHBK00 - AC charging cable



1621670

<https://www.phoenixcontact.com/us/products/1621670>

Environmental product compliance

China RoHS

| | |
|--|--|
| Environment friendly use period (EFUP) | EFUP-10 An article-related China RoHS declaration table can be found in the download area for the respective article under "Manufacturer declaration". For all articles with EFUP-E, no China RoHS declaration table issued and required. |
|--|--|

EU REACH SVHC

| | |
|-------------------------------------|----------------------------|
| REACH candidate substance (CAS No.) | No substance above 0.1 wt% |
|-------------------------------------|----------------------------|

Phoenix Contact 2026 © - all rights reserved
<https://www.phoenixcontact.com>

Phoenix Contact USA
586 Fulling Mill Road
Middletown, PA 17057, United States
(+717) 944-1300
info@phoenixcon.com