

EV-T2MBI-PARK - Charging connector holder



1621667

<https://www.phoenixcontact.com/us/products/1621667>

Please be informed that the data shown in this PDF document is generated from our online catalog. Please find the complete data in the user documentation. Our general terms of use for downloads are valid.



CHARX connect, CCS type 2, Charging connector holder, Accessories, Front and rear mounting, for vehicle charging connectors on charging stations (EVSE), IEC 62196-3

Product description

Retainer for Vehicle Connector as parking position at charging stations for E-Mobility (EVSE)

Your advantages

- Material data available in the IMDS (International Material Data System of the automotive industry)
- Developed and produced in accordance with the IATF 16949 automotive standard and ISO 9001

Commercial data

Item number	1621667
Packing unit	1 pc
Minimum order quantity	1 pc
Product key	XWBAJD
GTIN	4046356953474
Weight per piece (including packing)	0.829 kg
Weight per piece (excluding packing)	0.705 kg
Country of origin	DE

EV-T2MBI-PARK - Charging connector holder



1621667

<https://www.phoenixcontact.com/us/products/1621667>

Technical data

Product properties

Product type	Charging connector holder
Product family	CHARX connect
Type	Accessories
Charging standard	CCS type 2
Charging mode	Mode 4
Customer variations	On request

Electrical properties

Pin assignment

Number	5 (L1, N, PE, DC+, DC-)
--------	-------------------------

Pin assignment

Number	2 (CP, PP)
--------	------------

Mechanical properties

Mechanical data

Insertion/withdrawal cycles	> 10000
Insertion force	< 100 N
Withdrawal force	< 100 N

Environmental and real-life conditions

Ambient conditions

Ambient temperature (operation)	-30 °C ... 50 °C
Ambient temperature (storage/transport)	-40 °C ... 80 °C

Standards and regulations

Standards

Standards/regulations	IEC 62196-3
-----------------------	-------------

Mounting

Mounting type	Front and rear mounting (0 to 90 degree frontal inclination possible)
Mounting hole diameter	6.80 mm (ø)

EV-T2MBI-PARK - Charging connector holder

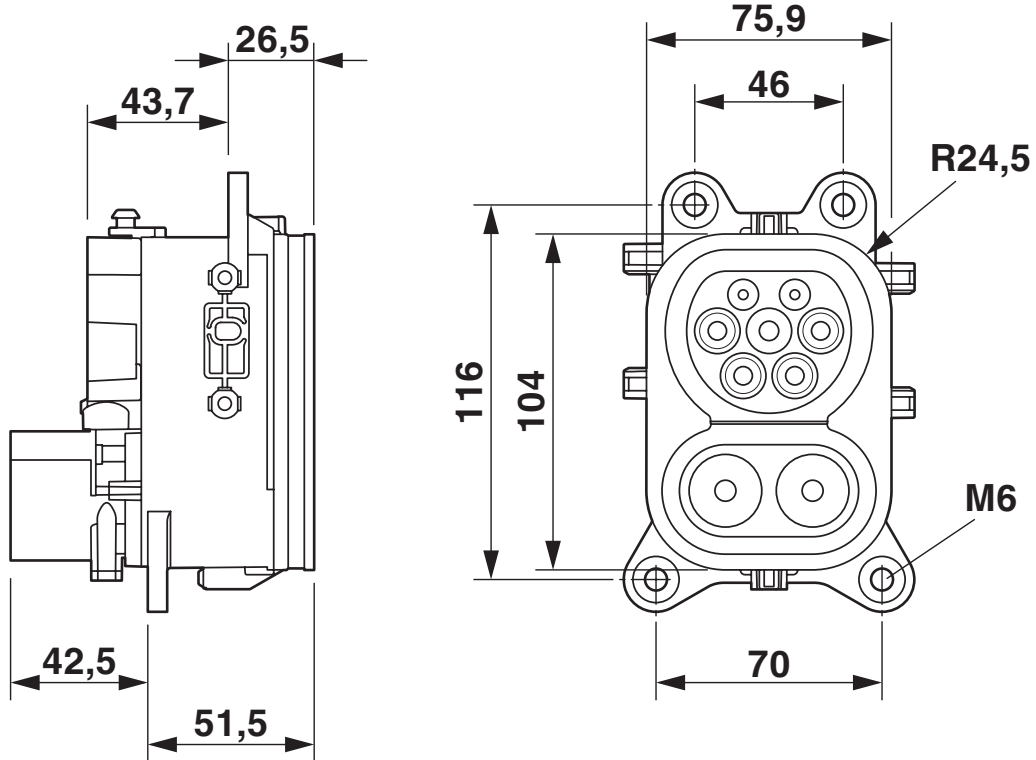


1621667

<https://www.phoenixcontact.com/us/products/1621667>

Drawings

Dimensional drawing



Dimensional drawing

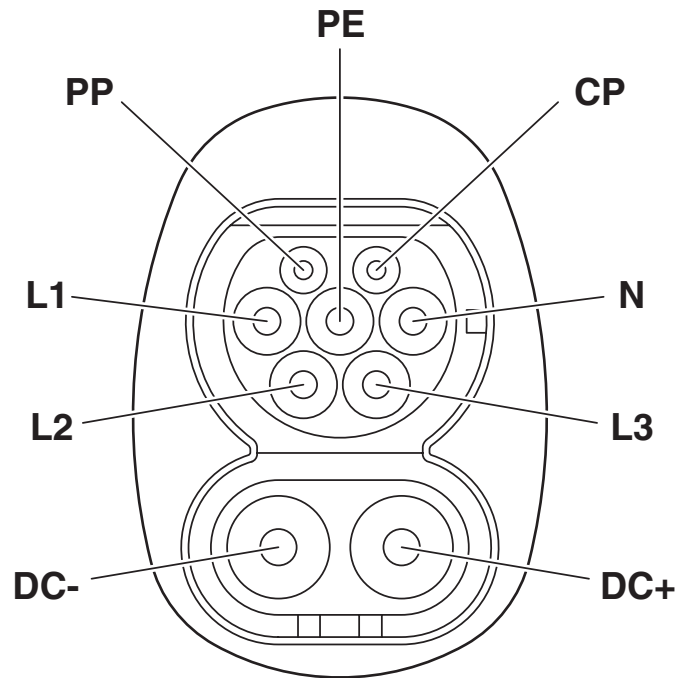
EV-T2MBI-PARK - Charging connector holder

1621667

<https://www.phoenixcontact.com/us/products/1621667>



Connection diagram



Pin assignment of vehicle charging inlets

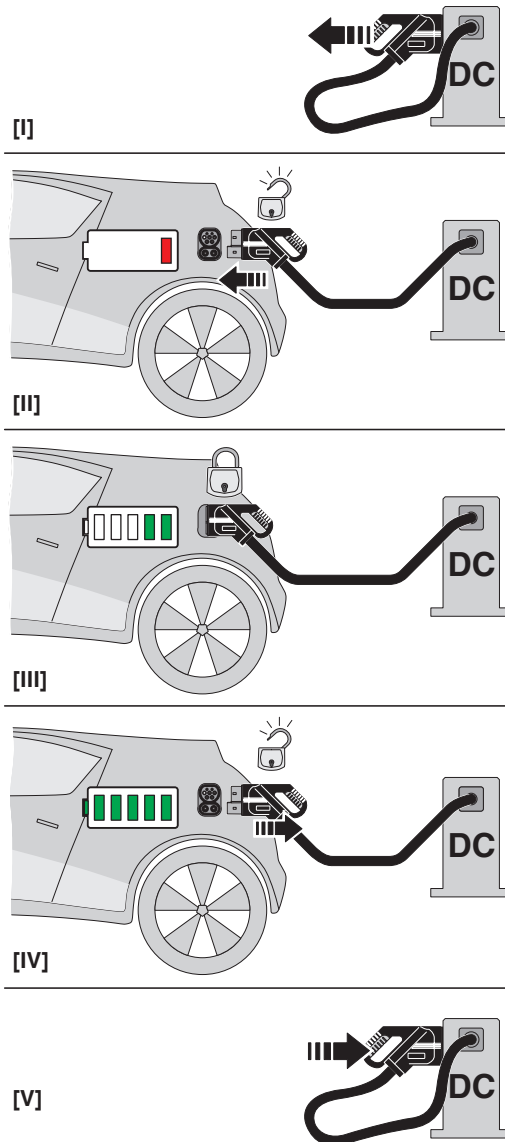
EV-T2MBI-PARK - Charging connector holder

1621667

<https://www.phoenixcontact.com/us/products/1621667>



Schematic diagram



Operating instructions

EV-T2MBI-PARK - Charging connector holder



1621667

<https://www.phoenixcontact.com/us/products/1621667>

Environmental product compliance

EU RoHS

Fulfills EU RoHS substance requirements	Not applicable, No electrical and electronic equipment (EEE), cannot be used in EEE
---	---

China RoHS

Environment friendly use period (EFUP)	EFUP-10
	An article-related China RoHS declaration table can be found in the download area for the respective article under "Manufacturer declaration". For all articles with EFUP-E, no China RoHS declaration table issued and required.

EU REACH SVHC

REACH candidate substance (CAS No.)	No substance above 0.1 wt%
-------------------------------------	----------------------------

Phoenix Contact 2026 © - all rights reserved
<https://www.phoenixcontact.com>

Phoenix Contact USA
586 Fulling Mill Road
Middletown, PA 17057, United States
(+717) 944-1300
info@phoenixcon.com