

# RC-17S1NC2H000N - Device connector rear mounting



1621394

<https://www.phoenixcontact.com/us/products/1621394>

Please be informed that the data shown in this PDF document is generated from our online catalog. Please find the complete data in the user documentation. Our general terms of use for downloads are valid.



The figure shows the 12-pos.  
product version

M23, Device connector rear mounting, application: Signal, series: RC, straight, shielded: yes, Screw locking mechanism, No. of pos.: 17, Direction of rotation: Standard, contact connection type: Socket, Solder-in connection, Axial O-ring, Panel thickness min.: 0.8 mm, Panel thickness max.: 6.5 mm, coding: N

## Commercial data

Item number	1621394
Packing unit	12 pc
Minimum order quantity	1 pc
Note	Made to order (non-returnable)
Product key	ABRAFR
GTIN	4046356917544
Weight per piece (including packing)	60.32 g
Weight per piece (excluding packing)	60.32 g
Country of origin	DE

1621394

<https://www.phoenixcontact.com/us/products/1621394>

## Technical data

### Product properties

Product type	Circular connectors (device side)
--------------	-----------------------------------

### Connector

#### Insulating body

Coding	N
Material (Insulating body)	PBT
Material (Contact)	CuZn
Material (Contact surface)	Ni/Au
Insertion/withdrawal cycles	50
Connection method	Solder-in connection
Contact switching type	Socket
Application	Signal
Number of positions	17
Direction of rotation	Standard
Connection profile	17
Number (Contact group 1)	17
Contact diameter (Contact group 1)	1 mm
Rated current Contact (Contact group 1)	8 A (for max. connection cross section)
Rated voltage Contact (Contact group 1)	48 V AC 74 V DC
Rated surge voltage	1.5 kV
Overvoltage category	III
Degree of pollution	3

#### Housing

Type	Feed-through header
Thread type	M23
Design	straight
Type of locking	Screw locking mechanism
Pg screw connection	none
Mounting type	Rear mounting (M25 x 1,5)
Assembly note	Central fastening
Material (Housing)	GD-Zn
Material (Housing surface)	Ni
Material (Rotating parts)	CuZn
Degree of protection (plugged in)	IP67
Seal for the device	Axial O-ring

# RC-17S1NC2H000N - Device connector rear mounting

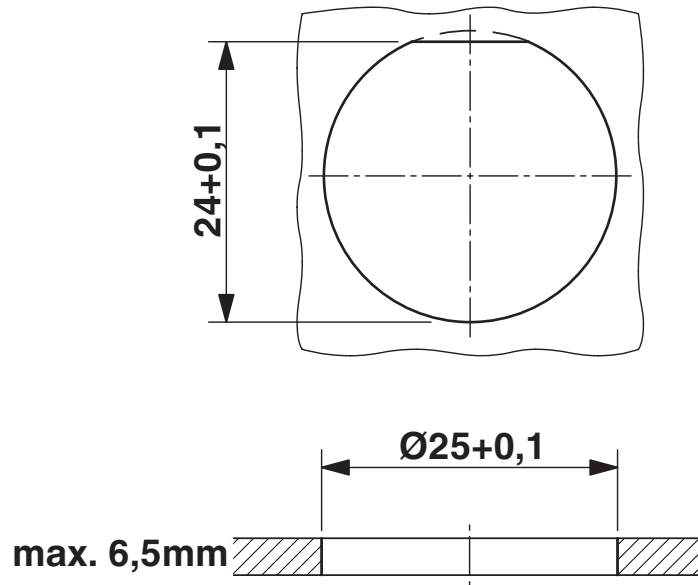


1621394

<https://www.phoenixcontact.com/us/products/1621394>

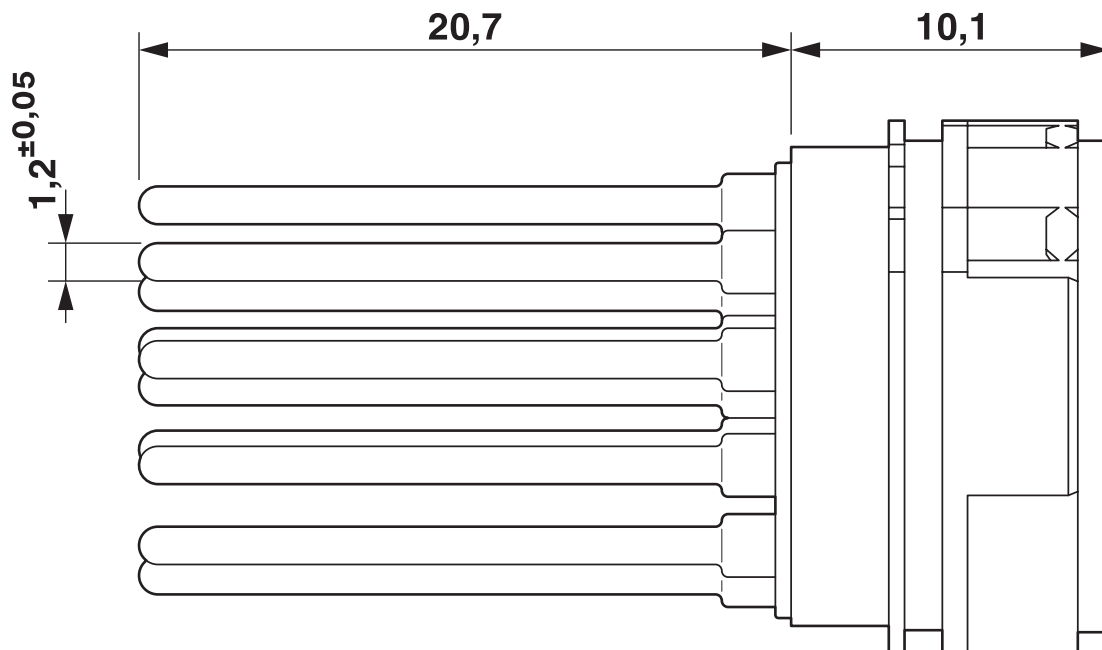
## Drawings

Dimensional drawing



## Installation dimensions

Dimensional drawing



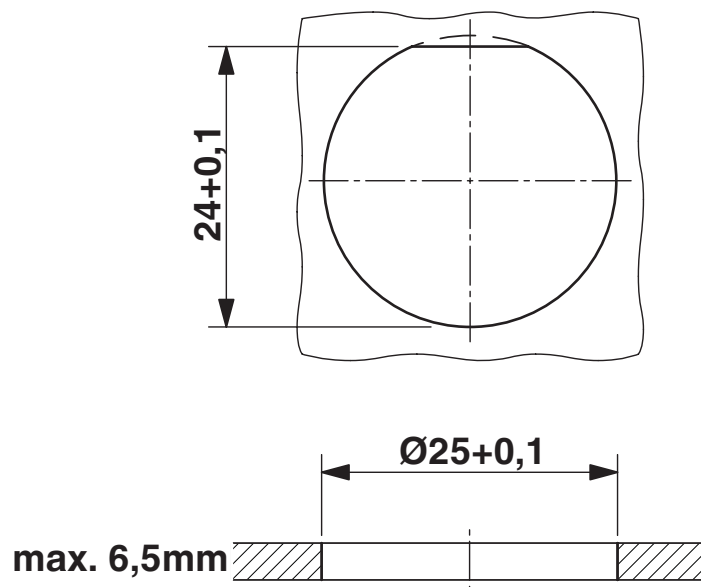
## Dimensional drawing

# RC-17S1NC2H000N - Device connector rear mounting

1621394

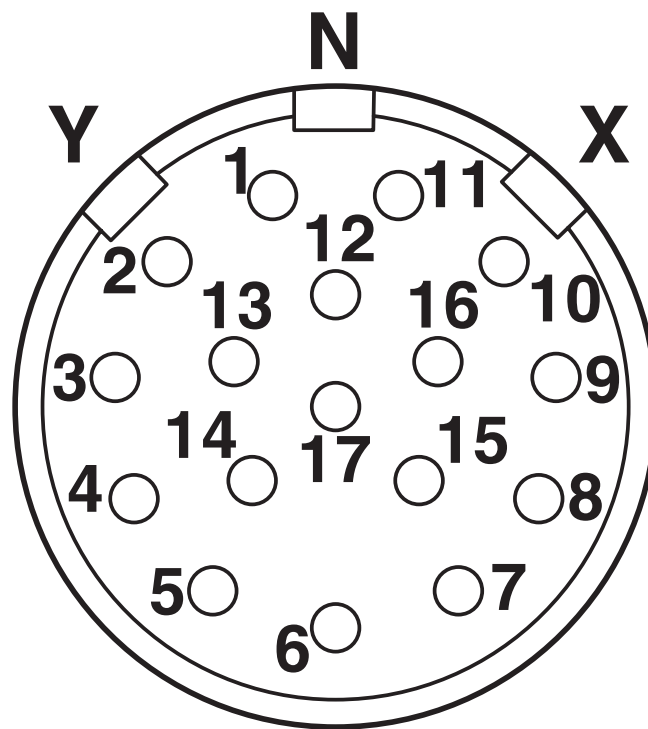
<https://www.phoenixcontact.com/us/products/1621394>

Dimensional drawing



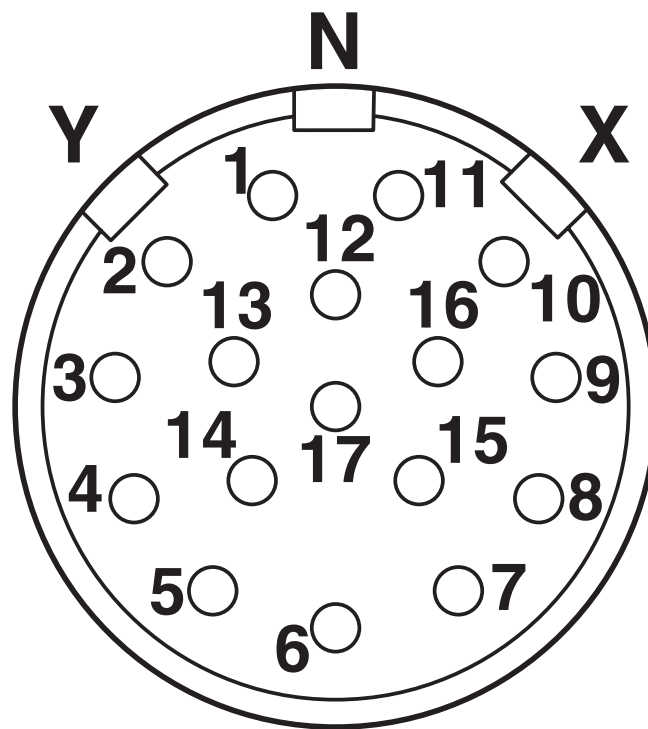
Installation dimensions

Schematic diagram



Connector pin assignment

Schematic diagram



Connector pin assignment

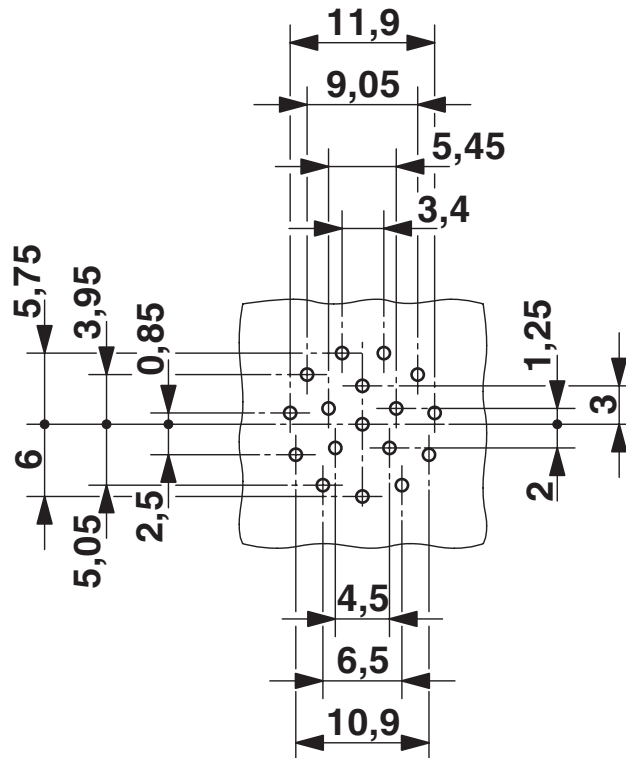
# RC-17S1NC2H000N - Device connector rear mounting



1621394

<https://www.phoenixcontact.com/us/products/1621394>

Drilling plan/solder pad geometry



Phoenix Contact 2026 © - all rights reserved  
<https://www.phoenixcontact.com>

Phoenix Contact USA  
586 Fulling Mill Road  
Middletown, PA 17057, United States  
(+717) 944-1300  
[info@phoenixcon.com](mailto:info@phoenixcon.com)