

# RC-06P1N324100N - Device connector rear mounting



1621379

<https://www.phoenixcontact.com/us/products/1621379>

Please be informed that the data shown in this PDF document is generated from our online catalog. Please find the complete data in the user documentation. Our general terms of use for downloads are valid.



M23, Device connector rear mounting, application: Signal, series: RC, straight, Screw locking mechanism, No. of pos.: 6, Direction of rotation: Standard, contact connection type: Pin, Solder-in connection, Flat gasket, Panel thickness min.: 2.7 mm, Panel thickness max.: 3.5 mm, coding: N

The figure shows the 12-pos. product version

## Commercial data

Item number	1621379
Packing unit	20 pc
Minimum order quantity	1 pc
Note	Made to order (non-returnable)
Product key	ABRAFR
GTIN	4046356917308
Weight per piece (including packing)	33.84 g
Weight per piece (excluding packing)	33.84 g
Country of origin	DE

1621379

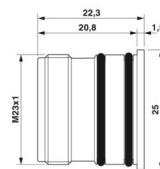
<https://www.phoenixcontact.com/us/products/1621379>

## Technical data

### Product properties

Product type	Circular connectors (device side)
--------------	-----------------------------------

### Dimensions

Dimensional drawing	
Length of the solder pin	4.5 mm
	4.5 mm

### Connector

#### Insulating body

Coding	N
Material (Insulating body)	PBT
Material (Contact)	CuZn
Material (Contact surface)	Ni/Au
Insertion/withdrawal cycles	50
Connection method	Solder-in connection
Contact switching type	Pin
Application	Signal
Number of positions	6
Direction of rotation	Standard
Connection profile	6
Number (Contact group 1)	6
Contact diameter (Contact group 1)	2 mm
Rated current Contact (Contact group 1)	20 A (for max. connection cross section)
Rated voltage Contact (Contact group 1)	300 V
Rated surge voltage	2.5 kV
Overvoltage category	II
Degree of pollution	3

#### Housing

Type	Flange housing
Thread type	M23
Design	straight
Type of locking	Screw locking mechanism
Pg screw connection	none
Mounting type	Rear mounting/square flange (4x M3)
Material (Housing)	Metal

# RC-06P1N324100N - Device connector rear mounting



1621379

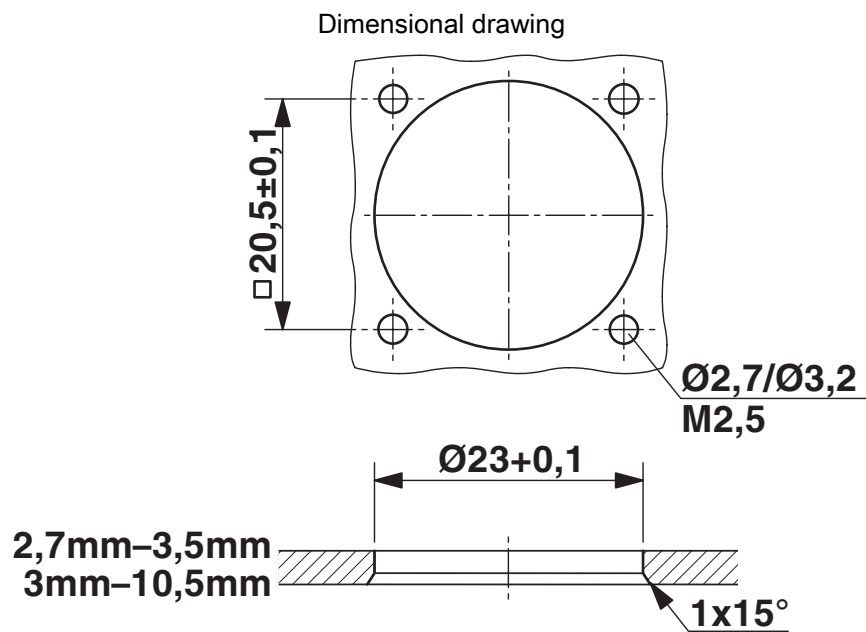
<https://www.phoenixcontact.com/us/products/1621379>

Degree of protection (plugged in)	IP67
Seal for the device	Flat gasket

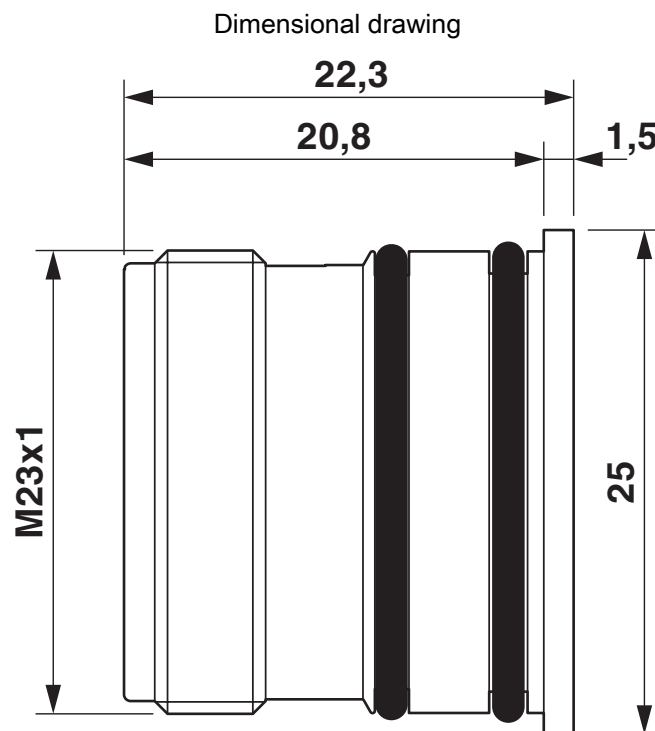
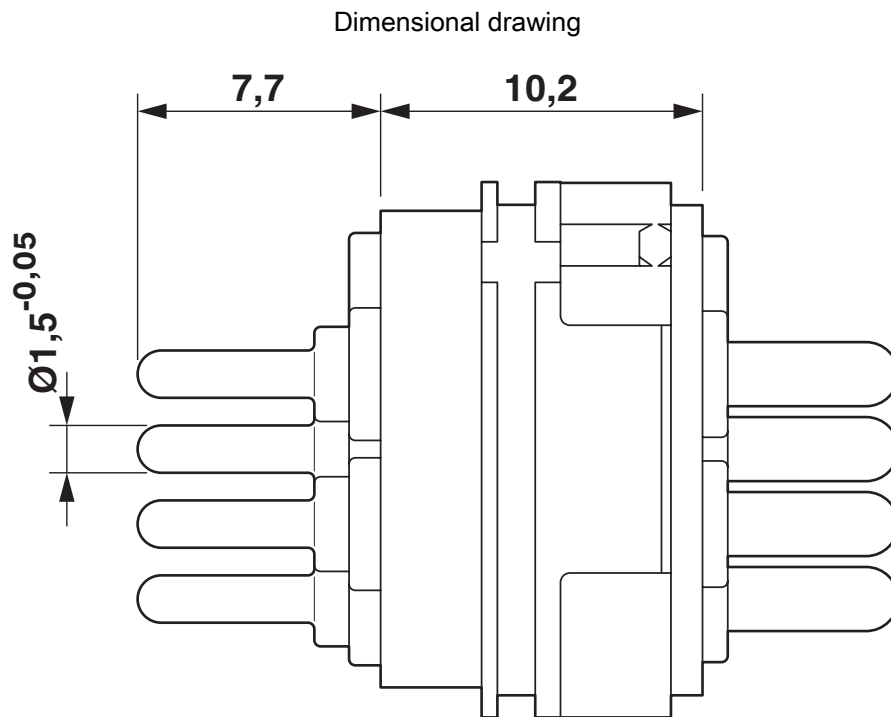
Drawings



Dimensional drawing



Installation dimensions



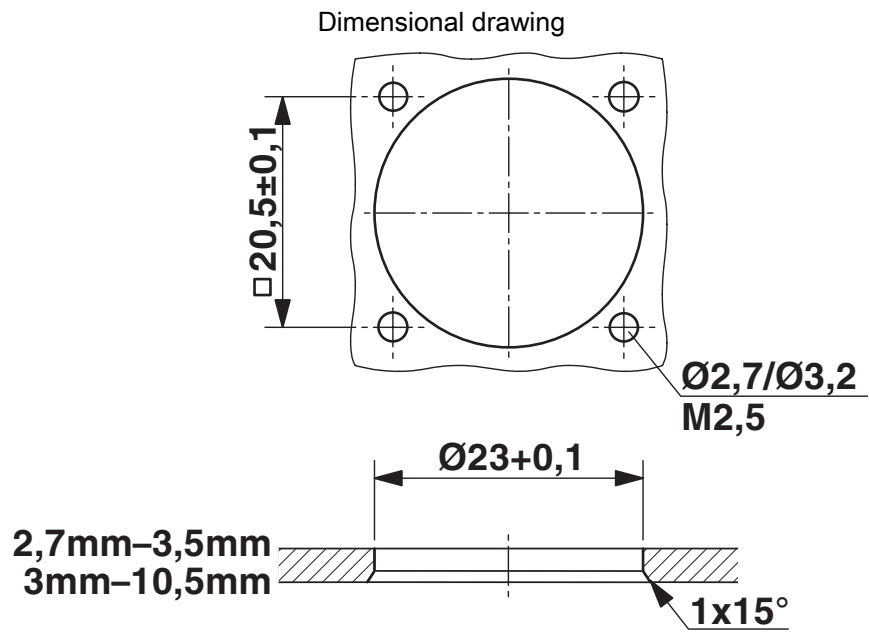
Dimensional drawing

# RC-06P1N324100N - Device connector rear mounting



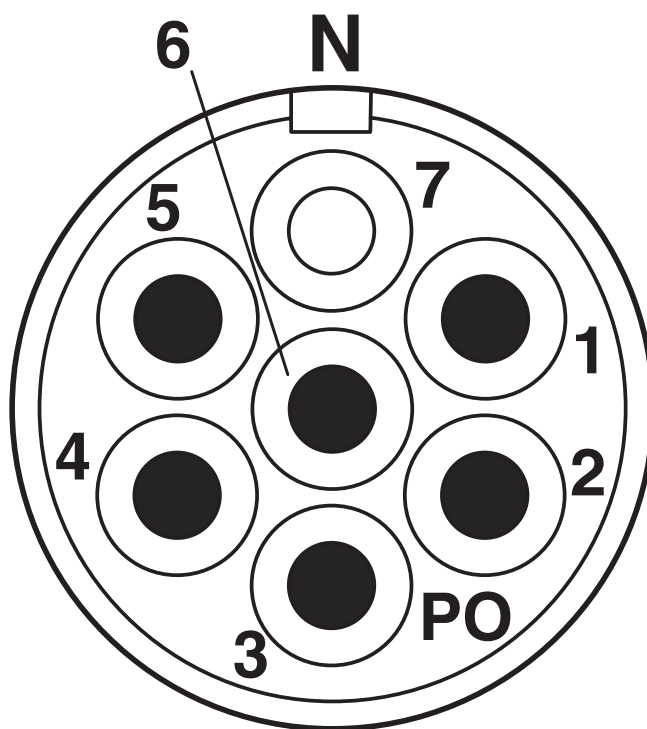
1621379

<https://www.phoenixcontact.com/us/products/1621379>



Installation dimensions

Schematic diagram



Connector pin assignment

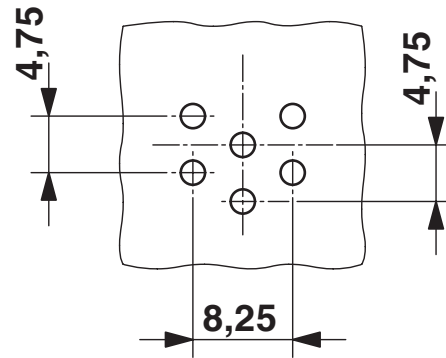
# RC-06P1N324100N - Device connector rear mounting



1621379

<https://www.phoenixcontact.com/us/products/1621379>

## Drilling plan/solder pad geometry



Phoenix Contact 2026 © - all rights reserved  
<https://www.phoenixcontact.com>

Phoenix Contact USA  
586 Fulling Mill Road  
Middletown, PA 17057, United States  
(+717) 944-1300  
[info@phoenixcon.com](mailto:info@phoenixcon.com)