

PRC 3-TC-FS6 8-21 - Test plug



1621326

<https://www.phoenixcontact.com/us/products/1621326>

Please be informed that the data shown in this PDF document is generated from our online catalog. Please find the complete data in the user documentation. Our general terms of use for downloads are valid.



PRC test plug, 2000 plug cycles, black, can be released by hand, 3-pos., 1.5 mm² ... 6 mm² / 690 V / 35 A, with screw connection for cables with an outside diameter of 8 mm ... 21 mm.

Your advantages

- Up to 75% smaller in size than industrial connectors with the same rating
- Locking mechanism can be unlocked manually or using a tool
- Suitable for applications in atmospheres containing salt and in direct sunlight
- Ideal for indoor and outdoor use due to weatherproof materials

Commercial data

| | |
|--------------------------------------|---------------|
| Item number | 1621326 |
| Packing unit | 1 pc |
| Minimum order quantity | 1 pc |
| Sales key | AB03 |
| Product key | ABL CZA |
| GTIN | 4046356914734 |
| Weight per piece (including packing) | 92.1 g |
| Weight per piece (excluding packing) | 79.026 g |
| Customs tariff number | 85366990 |
| Country of origin | PL |

Technical data

Notes

| | |
|--------------------|---|
| Order information: | Manually releasable version with orange release latch |
| Safety note | |
| Safety note | <ul style="list-style-type: none"> • WARNING: Commission properly functioning products only. The products must be regularly inspected for damage. Decommission defective products immediately. Replace damaged products. Repairs are not possible. • WARNING: Only electrically qualified personnel may install and operate the product. They must observe the following safety notes. The qualified personnel must be familiar with the basics of electrical engineering. They must be able to recognize and prevent danger. The relevant symbol on the packaging indicates that only personnel familiar with electrical engineering are allowed to install and operate the product. WARNING: The connectors may not be plugged in or disconnected under load. Ignoring the warning or improper use may damage persons and/or property. • Assembled products may not be manipulated or improperly opened. • Only use mating connectors that are specified in the technical data of the standards listed (e.g. the ones listed in the product accessories online at phoenixcontact.com/products). • When using the product in direct connection with third-party manufacturers, the user is responsible. • For operating voltages > 50 V AC, conductive connector housings must be grounded • Ensure that the protective or functional ground has been properly connected. • VDE 0100/1.97 § 411.1.3.2 and DIN EN 60 204/11.98 § 14.1.3 are applicable when combining several circuits in a cable and/or connector • Observe the corresponding technical data. You will find information: <ul style="list-style-type: none"> o On the product o On the packing label o In the supplied documentation o Online at phoenixcontact.com/products under the product • Only use tools recommended by Phoenix Contact • The installation notes/Design In documents online on the download page at phoenixcontact.com/products must be observed for this product. • Use a protective cap to protect connectors that are not in use. The suitable accessories are available online in the accessory section of the product at phoenixcontact.com/products • Operate the connector only when it is fully plugged in. • Operate the connector only when it is fully plugged in and interlocked. • Ensure that when laying the cable, the tensile load on the connectors does not exceed the upper limit specified in the standards. |

PRC 3-TC-FS6 8-21 - Test plug



1621326

<https://www.phoenixcontact.com/us/products/1621326>

- Observe the minimum bending radius of the cable. Lay the cable without twisting it.
- The connector warms up in normal operation. Depending on the ambient conditions, the surface of the connector can continue to warm up. In this case, the user is responsible for posting warnings (e.g. DIN EN ISO 13732-1:2008-12).

Product properties

| | |
|---------------------|------------------------|
| Product type | Installation connector |
| Product family | PRC 35 |
| Number of positions | 3 |
| Connection profile | 2+PE |
| Coding | AD |

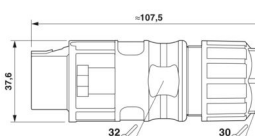
Insulation characteristics

| | |
|---------------------|----|
| Protection class | II |
| Degree of pollution | 2 |

Electrical properties

| | |
|-----------------------------|--|
| Rated voltage (III/2) | 690 V |
| Rated voltage | 690 V AC (III/2.00) in accordance with IEC 61984 500 V AC / DC (III/2.00) in accordance with IEC 61535 600 V AC / DC (III/2.00) in accordance with UL 2238 / UL 2237 |
| Rated surge voltage (III/2) | 8 kV |
| Rated current | 35 A (with 6 mm ² conductor cross-section) |

Dimensions

| | |
|---------------------|--|
| Dimensional drawing |  |
| Width | 37.6 mm |
| Height | 37.6 mm |
| Length | 105 mm |

External dimensions

| | |
|------------------|----------------|
| Outside diameter | 8 mm ... 21 mm |
|------------------|----------------|

Material specifications

| | |
|---------------------------|------------------|
| Color (Housing) | black (RAL 9005) |
| Color of the housing part | black |
| Material Seal | EPDM |
| Material Contact carrier | PPE |
| Material Housing | PPE |
| Material Contact | Cu alloy |

PRC 3-TC-FS6 8-21 - Test plug



1621326

<https://www.phoenixcontact.com/us/products/1621326>

| | |
|--|---------------|
| Flammability rating according to UL 94 | V0 |
| Material of grip body | PPE |
| Cable seal material | EPDM |
| Contact surface material | silver-plated |
| O-ring material | EPDM |
| Material for screw connection | PPE |

Connector

| | |
|----------------|-------------|
| Pull-out-force | 150 N ±50 N |
|----------------|-------------|

Cable/line

| | |
|---|----------------|
| External cable diameter | 8 mm ... 21 mm |
| Stripping length of the individual wire | 12 mm |

Mechanical properties

Mechanical data

| | |
|-----------------------------|---|
| Insertion/withdrawal cycles | 2000 (Number of device plug mating cycles: 100) |
| Insertion force | 30 N ±10 N |

Environmental and real-life conditions

Ambient conditions

| | |
|---|--|
| Degree of protection (when plugged in) | IP66/IP68 (2 m / 24 h) IP69K |
| Degree of protection | IP66/IP68 (2 m / 24 h) IP69K IP66/IP68 (2 m / 24 h) IP69K |
| Category of shock impact | IK08 (-25°C) |
| Ambient temperature (operation) | -40 °C ... 105 °C (dependent on the derating curve) |
| Ambient temperature (storage/transport) | -40 °C ... 70 °C |
| Ambient temperature (assembly) | 5 °C ... 85 °C |

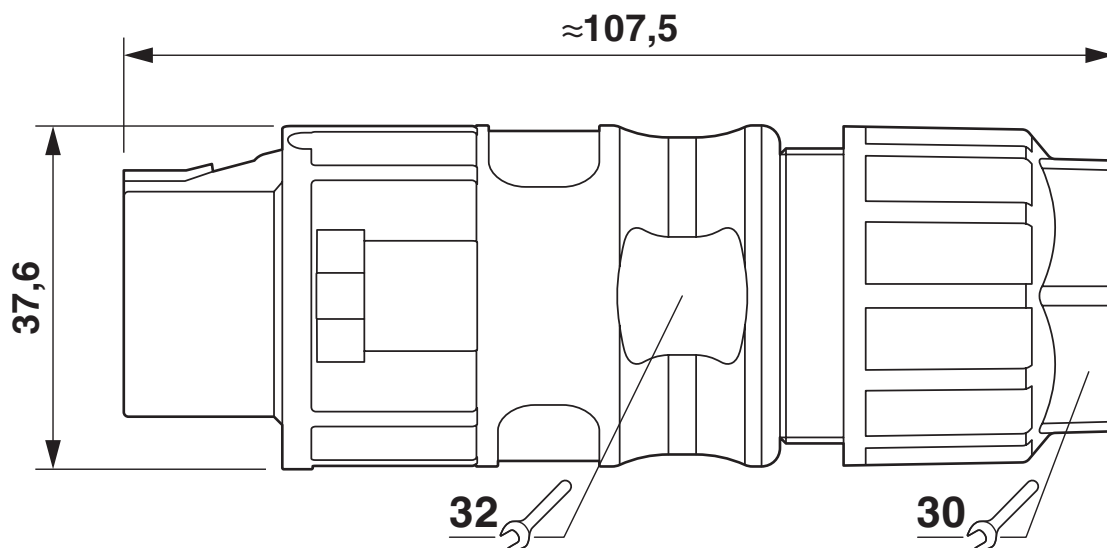
PRC 3-TC-FS6 8-21 - Test plug

1621326

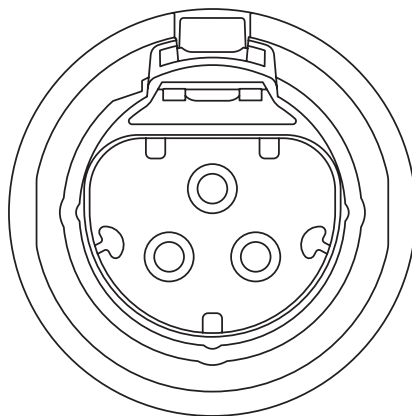
<https://www.phoenixcontact.com/us/products/1621326>

Drawings

Dimensional drawing



Schematic diagram



Connector pin assignment

PRC 3-TC-FS6 8-21 - Test plug



1621326

<https://www.phoenixcontact.com/us/products/1621326>

Classifications

ECLASS

| | |
|-------------|----------|
| ECLASS-13.0 | 27440691 |
| ECLASS-15.0 | 27440691 |

ETIM

| | |
|-----------|----------|
| ETIM 10.0 | EC002863 |
|-----------|----------|

UNSPSC

| | |
|-------------|----------|
| UNSPSC 21.0 | 39121400 |
|-------------|----------|

PRC 3-TC-FS6 8-21 - Test plug



1621326

<https://www.phoenixcontact.com/us/products/1621326>

Environmental product compliance

EU RoHS

| | |
|---|--------------------|
| Fulfills EU RoHS substance requirements | Yes, No exemptions |
|---|--------------------|

China RoHS

| | |
|--|--|
| Environment friendly use period (EFUP) | EFUP-E |
| | No hazardous substances above the limits |

EU REACH SVHC

| | |
|-------------------------------------|--------------------------------------|
| REACH candidate substance (CAS No.) | Triphenyl phosphate(CAS: 115-86-6) |
| SCIP | 0c653ae9-6c7d-449b-8462-f7c5409a7db3 |

Phoenix Contact 2026 © - all rights reserved

<https://www.phoenixcontact.com>

Phoenix Contact USA
586 Fulling Mill Road
Middletown, PA 17057, United States
(+717) 944-1300
info@phoenixcon.com