

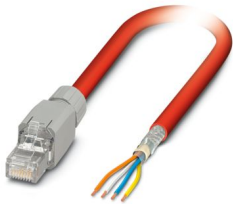
# NBC-R4AQ/10,0-93K/OE - Bus system cable



1621318

<https://www.phoenixcontact.com/us/products/1621318>

Please be informed that the data shown in this PDF document is generated from our online catalog. Please find the complete data in the user documentation. Our general terms of use for downloads are valid.



Bus system cable, degree of protection: IP20, cable length: 10 m, number of positions: 4, 100 Mbps, CAT5, cable outlet: straight, color: gray, Sercos, 1x4xAWG22/7, SF/TQ, signal red RAL 3020

## Your advantages

- Perfect for industrial applications
- Perfect for office, building, and protected industrial applications (e.g., in control cabinets)
- Compact angle

## Commercial data

Item number	1621318
Packing unit	1 pc
Minimum order quantity	1 pc
Note	Made to order (non-returnable)
Product key	ABNABA
GTIN	4046356909334
Weight per piece (including packing)	698.376 g
Weight per piece (excluding packing)	698.376 g
Country of origin	PL

# NBC-R4AQ/10,0-93K/OE - Bus system cable



1621318

<https://www.phoenixcontact.com/us/products/1621318>

## Technical data

### Product properties

Product type	Data cable preassembled
Product family	RJ45 INDUSTRIAL PN4 CAT5
Number of positions	4
No. of cable outlets	1
Shielded	yes
Cable outlet	straight

### Insulation characteristics

Degree of pollution	1
---------------------	---

### Interfaces

Signal type/category	Sercos CAT5, 100 Mbps
----------------------	-----------------------

### Electrical properties

Rated voltage (III/3)	72 V (DC)
Transmission medium	Copper
Transmission speed	100 Mbps
Transmission speed	100 Mbps

### Mechanical properties

#### Mechanical data

Insertion force per signal contact	30.00 N
Extraction force per signal contact	50 N

### Material specifications

Color	gray
Flammability rating according to UL 94	V0
Outer sheath, material	PVC
Conductor material	Tin-plated Cu litz wires

### Connector

#### Connection 1

Type	Plug straight RJ45
Shielded	yes
Handle color	black
Insertion/withdrawal cycles	≥ 750
Degree of protection	IP20

#### Connection 2

Type	free cable end
------	----------------

# NBC-R4AQ/10,0-93K/OE - Bus system cable




1621318

<https://www.phoenixcontact.com/us/products/1621318>

## Cable/line

Cable length	10.00 m
--------------	---------

### Sercos III [93K]

Dimensional drawing	
Cable weight	68 kg/km
UL AWM Style	21694 (60 °C / 600 V)
Number of positions	4
Shielded	yes
Cable type	Sercos III [93K]
Conductor structure	1x4xAWG22/7, SF/TQ
Signal runtime	5.3 ns/m
Conductor structure signal line	7x 0.25 mm
AWG signal line	22
Conductor cross-section	4x 0.34 mm <sup>2</sup>
Wire diameter incl. insulation	approx. 1.55 mm
External cable diameter	6.50 mm ±0.2 mm
Outer sheath, material	PVC
External sheath, color	signal red RAL 3020
Conductor material	Tin-plated Cu litz wires
Material wire insulation	PE
Single wire, color	white, yellow, blue, orange
Thickness, outer sheath	approx. 0.90 mm
Type of pair shielding	Aluminum-lined polyester foil
Overall twist	Star quad
Max. conductor resistance	≤ 120 Ω/km
Insulation resistance	≥ 0.5 GΩ*km
Coupling resistance	≤ 20.00 mΩ/m (at 10 Hz)
Wave impedance	100 Ω ±15 Ω (at 100 MHz)
Nominal voltage, cable	600 V
Test voltage Core/Core	2000 V (50 Hz, 1 min.)
Test voltage Core/Shield	2000.00 V (50 Hz, 1 min.)
Minimum bending radius, fixed installation	3 x D
Minimum bending radius, flexible installation	7 x D
Smallest bending radius, fixed installation	20 mm
Smallest bending radius, movable installation	46 mm

# NBC-R4AQ/10,0-93K/OE - Bus system cable



1621318

<https://www.phoenixcontact.com/us/products/1621318>

Flame resistance	according to UL 1685 (CSA FT 4)
Resistance to oil	Resistant to oil to a limited extent
Other resistance	UV resistant (according to UL 1581, Section 1200)
Ambient temperature (operation)	-40 °C ... 70 °C (cable, fixed installation)
	-40 °C ... 70 °C (Cable, flexible installation)
Ambient temperature (installation)	-20 °C ... 60 °C

## Environmental and real-life conditions

### Ambient conditions

Degree of protection	IP20
	IP20
Ambient temperature (operation)	-10 °C ... 60 °C (cable, fixed installation)
	-5 °C ... 50 °C (Cable, flexible installation)

# NBC-R4AQ/10,0-93K/OE - Bus system cable

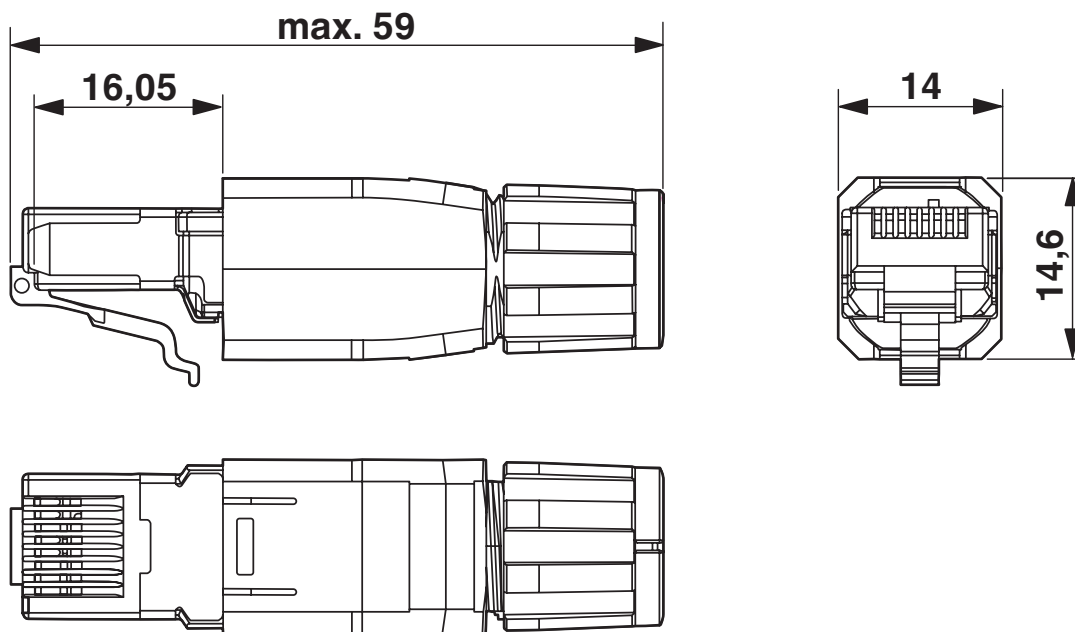


1621318

<https://www.phoenixcontact.com/us/products/1621318>

## Drawings

### Dimensional drawing



RJ45 connector, IP20

1621318

<https://www.phoenixcontact.com/us/products/1621318>

## Classifications

### ECLASS

ECLASS-13.0	27060307
ECLASS-15.0	27060307

### ETIM

ETIM 10.0	EC001855
-----------	----------

### UNSPSC

UNSPSC 21.0	26121600
-------------	----------

# NBC-R4AQ/10,0-93K/OE - Bus system cable



1621318

<https://www.phoenixcontact.com/us/products/1621318>

## Environmental product compliance

### EU RoHS

Fulfills EU RoHS substance requirements	Yes, No exemptions
---	--------------------

### China RoHS

Environment friendly use period (EFUP)	EFUP-E
	No hazardous substances above the limits

### EU REACH SVHC

REACH candidate substance (CAS No.)	2-(2H-benzotriazol-2-yl)-4-(1,1,3,3-tetramethylbutyl)phenol (UV-329)(CAS: 3147-75-9)
-------------------------------------	--

Phoenix Contact 2026 © - all rights reserved  
<https://www.phoenixcontact.com>

Phoenix Contact USA  
586 Fulling Mill Road  
Middletown, PA 17057, United States  
(+717) 944-1300  
[info@phoenixcon.com](mailto:info@phoenixcon.com)